



MANUFACTURED BY:
Backyard Discovery
3305 Airport Drive, Pittsburg, KS 66762
800-856-4445

Basepoint Business Centre: Rivermead Drive, Westlea, Swindon SN5 7EX Phone: 0800-118-2476
J.P. Coenstraat 7, The Hague, 2595 WP, Netherlands Phone: 0800-567-8990

OCEANVIEW VENTURE POINT Swing Set Model # 1606012 & 2200265

The assembly manual must be retained
since it contains important information



Adult Assembly Required.
Not suitable for children under 36 months due to small parts.
FOR DOMESTIC USE ONLY. INTENDED FOR OUTDOOR USE.



Please visit www.backyarddiscovery.com

For the most up to date assembly manual, to register your set, or to order replacement parts
Para obtener instrucciones en español, visite www.backyarddiscovery.com



**EASY STEP-BY-STEP
3D INTERACTIVE INSTRUCTIONS**
DOWNLOAD THE FREE APP



**INSTALLATION
SERVICES
AVAILABLE!**
See inside for details

Made in China

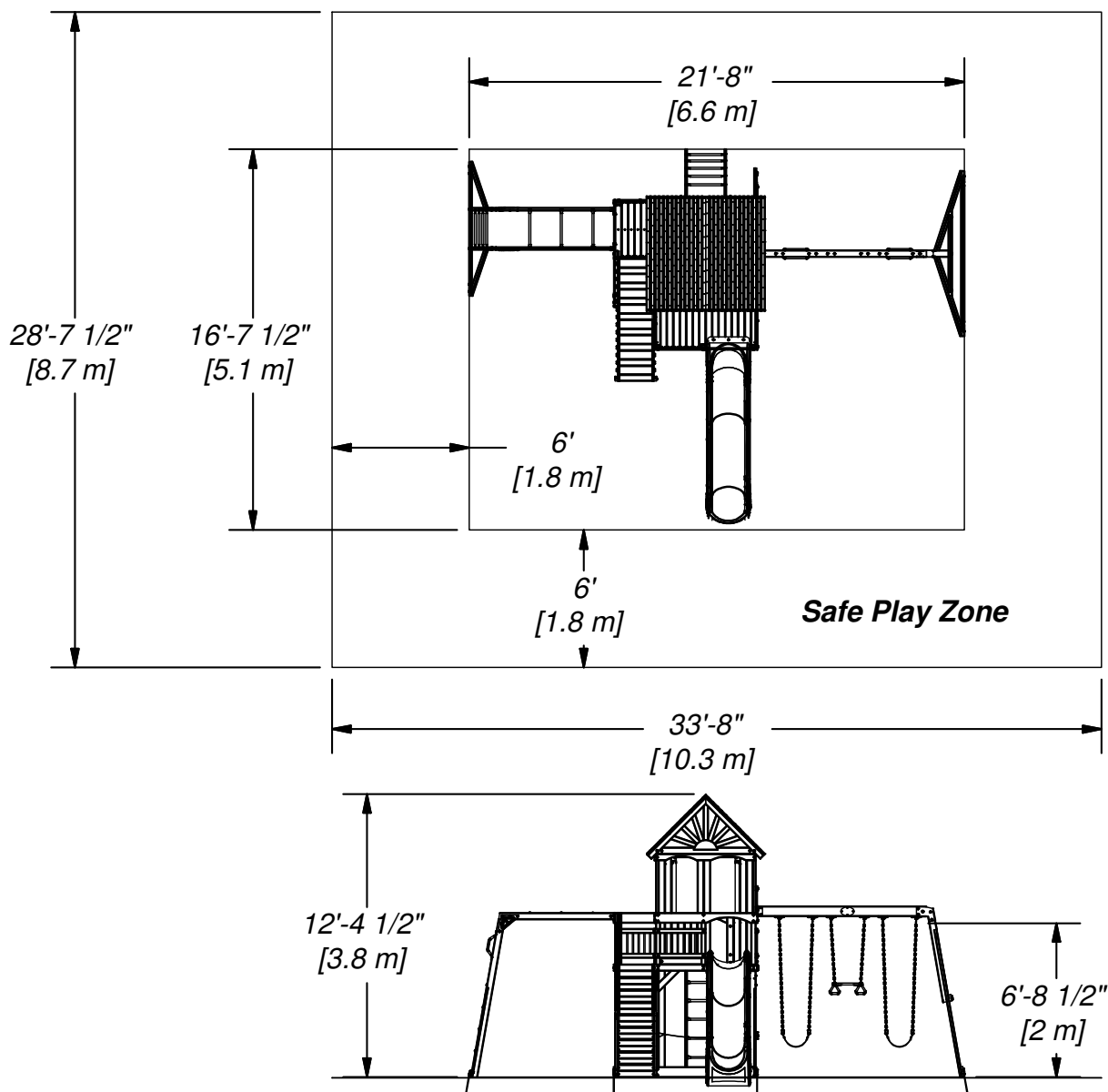
INS-1606012-A-OCEANVIEW-ENG-2-8-2022
INS-2200265-A-VENTURE POINT-ENG 2-8-2022

Owner's Manual - Basic Setup Dimensions & Assembly Notes

Place the set on level ground, not less than 6'-7" [2 m] from any structure or obstruction such as a fence, garage, house, overhanging branches, laundry lines, or electrical wires.

- While assembling unit, take time before and after each phase to make sure fort is level. If fort is not level, assembly will be difficult and improper assembly may result. Extra care must be taken to insure the fort is square.
- The safe play area refers to a zone extending 6'-7" (2 m) beyond the play product on all sides, including the space above the play product.

SAFE PLAY AREA DIAGRAM



Safe play height: 18'-5" [5.6 m]
Maximum fall height: 6'-8 1/2" [2 m]

General Information:

Your set has been designed and engineered for children only and for residential use only.
A maximum of 150 lbs. per child is recommended for play activities designed for individual use.
A maximum of 120 lbs. per child is recommended for play activities designed for multiple child use.
A maximum of 9 children is recommended for this swing set.

Parts Identification

Wood Components

(NOT TO SCALE)



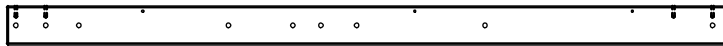
- (1) **A50 - SWING BEAM - W4L06169**
3 3/8"x5 1/4"x89 1/2" (86x134x2274)



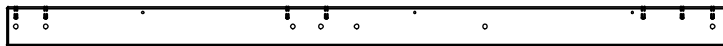
- (1) **E1 - UPRIGHT - W4L06055**
1 3/8"x3 3/8"x86 1/8" (36x86x2186)



- (1) **E2 - UPRIGHT - W4L06057**
1 3/8"x3 3/8"x86 1/8" (36x86x2186)



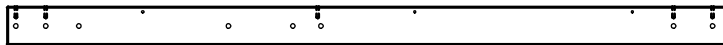
- (1) **E3 - UPRIGHT - W4L06069**
1 3/8"x3 3/8"x63" (36x86x1600)



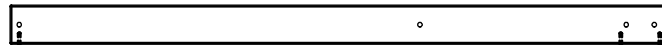
- (1) **E4 - UPRIGHT - W4L06085**
1 3/8"x3 3/8"x63" (36x86x1600)



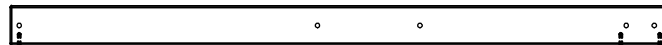
- (1) **E5 - UPRIGHT - W4L06090**
1 3/8"x3 3/8"x63" (36x86x1600)



- (1) **E6 - UPRIGHT - W4L06091**
1 3/8"x3 3/8"x63" (36x86x1600)



- (1) **E7 - UPRIGHT - W4L06051**
1 3/8"x3 3/8"x57 3/8" (36x86x1457)



- (1) **E8 - UPRIGHT - W4L06058**
1 3/8"x3 3/8"x57 3/8" (36x86x1457)



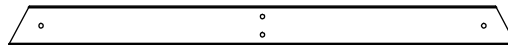
- (1) **E9 - UPRIGHT - W4L06061**
1 3/8"x3 3/8"x57 3/8" (36x86x1457)



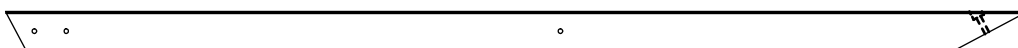
- (1) **E10 - UPRIGHT - W4L06053**
1 3/8"x3 3/8"x34 1/4" (36x86x869)



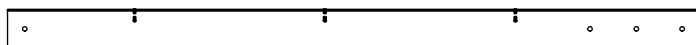
- (1) **E11 - UPRIGHT - W4L06127**
1 3/8"x3 3/8"x10 7/8" (36x86x275)



- (1) **E50 - END SUPPORT - W4L06172**
1 3/8"x3 3/8"x44 1/8" (36x86x1120)



- (2) **E51 - ANGLE BRACE - W4L06171**
1 3/8"x3 3/8"x88 3/4" (36x86x2254)



- (2) **E74 - MONKEY BAR RAIL - W4L06149**
1 3/8"x3 3/8"x60 5/8" (36x86x1539)

Parts Identification

Wood Components

(NOT TO SCALE)



- (2) **E79 - MONKEY BAR UPRIGHT - W4L06150**
1 3/8"x3 3/8"x84 1/2" (36x86x2148)



- (2) **F1 - UPRIGHT - W4L06131**
1 3/8"x2 3/8"x34 7/8" (36x60x887)



- (1) **F2 - POST - W4L06070**
1 3/8"x2 3/8"x30 3/8" (36x60x772)



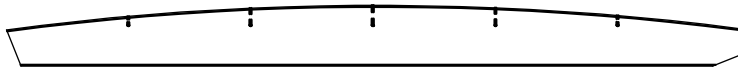
- (1) **F3 - POST - W4L06074**
1 3/8"x2 3/8"x30 3/8" (36x60x772)



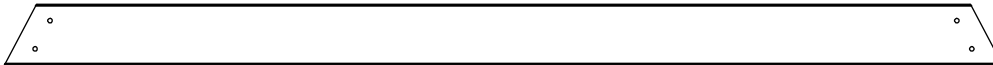
- (1) **F4 - POST - W4L06093**
1 3/8"x2 3/8"x30 3/8" (36x60x772)



- (1) **G1 - WALL RAIL - W4L06086**
1"x5 1/4"x76 3/4" (24x134x1948)



- (2) **G2 - LADDER UPRIGHT - W4L06144**
1"x5 1/4"x64 1/2" (24x134x1637)



- (1) **G50 - GROUND BOARD - W4L06173**
1"x5 1/4"x86 3/4" (24x134x2202)



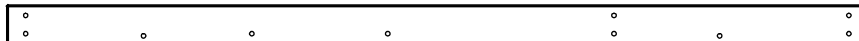
- (1) **H1 - HANDRAIL - W4L06132**
1"x3 3/8"x88 3/4" (24x86x2253)



- (1) **H2 - FLOOR SUPPORT - W4L06060**
1"x3 3/8"x76 3/4" (24x86x1948)



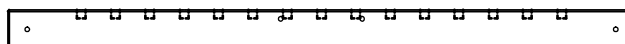
- (1) **H3 - FLOOR SUPPORT - W4L06083**
1"x3 3/8"x76 3/4" (24x86x1948)



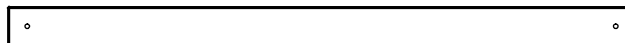
- (1) **H4 - FLOOR SUPPORT - W4L06063**
1"x3 3/8"x74 7/8" (24x86x1901)



- (1) **H5 - SAFETY RAIL - W4L06059**
1"x3 3/8"x68 5/8" (24x86x1742)



- (1) **H6 - WALL RAIL - W4L06088**
1"x3 3/8"x54 1/2" (24x86x1384)

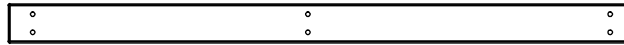


- (2) **H7 - WALL RAIL - W4L06100**
1"x3 3/8"x54 1/2" (24x86x1384)

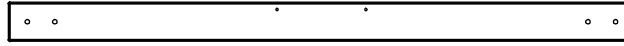
Parts Identification

Wood Components

(NOT TO SCALE)



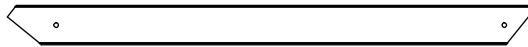
- (1) **H8 - FLOOR SUPPORT - W4L06079**
1"x3 3/8"x54 3/8" (24x86x1382)



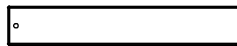
- (2) **H9 - WALL RAIL - W4L06102**
1"x3 3/8"x54 3/8" (24x86x1382)



- (1) **H10 - FLOOR SUPPORT - W4L06062**
1"x3 3/8"x52 1/2" (24x86x1334)



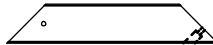
- (1) **H11 - HANDRAIL - W4L06133**
1"x3 3/8"x46" (24x86x1170)



- (1) **H12 - FLOOR SUPPORT - W4L06125**
1"x3 3/8"x20 3/8" (24x86x519)



- (1) **H13 - WALL SPACER - W4L06126**
1"x3 3/8"x3 3/8" (24x86x86)



- (3) **H22 - DECK BRACE - W4L06082**
1"x3 3/8"x18 3/8" (24x86x466)



- (4) **H23 - DECK BRACE - W4L06179**
1"x3 3/8"x17 7/8" (24x86x453)



- (2) **H81 - MONKEY BAR BRACE - W4L06151**
1"x3 3/8"x53 1/4" (24x86x1352)



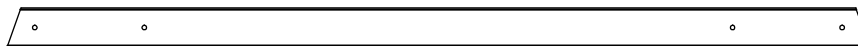
- (1) **H82 - MONKEY BAR GROUND BOARD - W4L06168**
1"x3 3/8"x70 3/8" (24x86x1786)



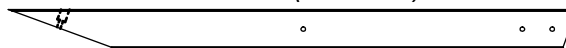
- (3) **H83 - WALL BOARD - W4L06182**
1"x3 3/8"x61 1/4" (24x86x1557)



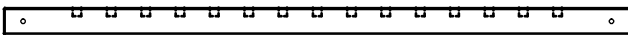
- (1) **H84 - WALL BOARD - W4L06183**
1"x3 3/8"x61 1/4" (24x86x1557)



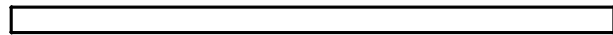
- (1) **H85 - SAFETY RAIL - W4L06184**
1"x3 3/8"x75" (24x86x1904)



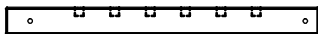
- (2) **H86 - ANGLE BRACE - W4L06186**
1"x3 3/8"x49 3/8" (24x86x1254)



- (1) **J1 - WALL RAIL - W4L06104**
1"x2 3/8"x54 1/2" (24x60x1384)



- (2) **J2 - FLOOR JOIST - W4L06068**
1"x2 3/8"x52 1/2" (24x60x1334)



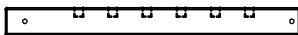
- (2) **J3 - WALL RAIL - W4L06092**
1"x2 3/8"x27 1/4" (24x60x691)



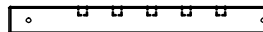
- (2) **J4 - OUTER CURTAIN ROD HOLDER - W4L05293**
1"x2 3/8"x2 3/8" (24x60x60)



- (1) **J5 - INNER CURTAIN ROD HOLDER - W4L05294**
1"x2 3/8"x2 3/8" (24x60x60)



- (4) **J6 - WALL RAIL - W4L06089**
1"x2 3/8"x25 5/8" (24x60x650)

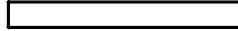


- (2) **J7 - WALL RAIL - W4L06050**
1"x2 3/8"x22 3/4" (24x60x579)

Parts Identification

Wood Components

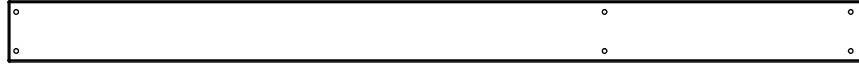
(NOT TO SCALE)



- (1) **J8 - FLOOR JOIST - W4L06134**
1"x2 3/8"x20 3/8" (24x60x519)



- (5) **J9 - SUPPORT BOARD - W4L06064**
1"x2 3/8"x3" (24x60x76)



- (1) **K1 - GROUND BOARD - W4L06052**
5/8"x5 1/4"x74 1/2" (16x134x1893)



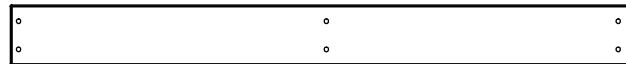
- (1) **K2 - GROUND BOARD - W4L06056**
5/8"x5 1/4"x74 1/2" (16x134x1893)



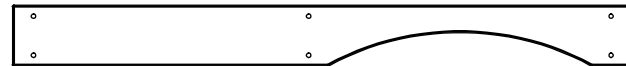
- (1) **K3 - ARCHED RAIL - W4L06106**
5/8"x5 1/4"x74 7/8" (16x134x1901)



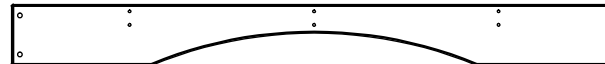
- (1) **K4 - GROUND BOARD - W4L06049**
5/8"x5 1/4"x54 1/2" (16x134x1384)



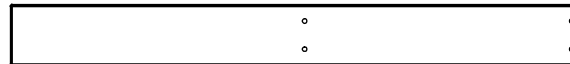
- (1) **K5 - GROUND BOARD - W4L06054**
5/8"x5 1/4"x54 1/2" (16x134x1384)



- (1) **K6 - ARCHED RAIL - W4L06084**
5/8"x5 1/4"x54 1/8" (16x134x1374)



- (1) **K7 - ARCHED RAIL - W4L06105**
5/8"x5 1/4"x52 1/2" (16x134x1334)



- (1) **K8 - WALL RAIL - W4L06095**
5/8"x5 1/4"x49 1/2" (16x134x1256)



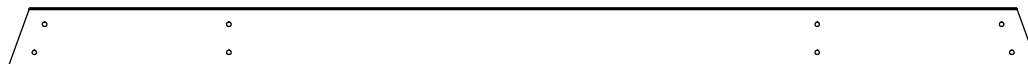
- (1) **K9 - ARCHED RAIL - W4L06124**
5/8"x5 1/4"x29 3/4" (16x134x756)



- (8) **K10 - STAIR STEP BOARD - W4L06123**
5/8"x4 5/8"x19" (16x119x483)



- (2) **K11 - HALF MOON PLATE - W4L06115**
5/8"x5 1/4"x12 5/8" (16x134x320)

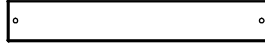


- (1) **K12 - GROUND BOARD - W4L06185**
5/8"x5 1/4"x89 1/2" (16x134x2274)

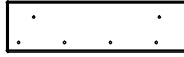
Parts Identification

Wood Components

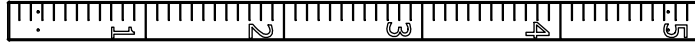
(NOT TO SCALE)



- (1) **L1 - SUPPORT BOARD - W4L06128**
5/8"x3 5/8"x22 3/4" (16x92x579)



- (1) **L2 - SUPPORT BOARD - W4L06142**
5/8"x4 3/8"x15 5/8" (16x112x397)



- (1) **M1 - GROWTH BOARD - W4L06143**
5/8"x3 3/8"x60 1/4" (16x86x1530)



- (1) **M2 - WALL BOARD - W4L06097**
5/8"x3 3/8"x61 1/4" (16x86x1557)



- (1) **M3 - WALL BOARD - W4L06099**
5/8"x3 3/8"x61 1/4" (16x86x1557)



- (2) **M4 - WALL BOARD - W4L06109**
5/8"x3 3/8"x61 1/4" (16x86x1557)



- (1) **M5 - WALL BOARD - W4L06111**
5/8"x3 3/8"x61 1/4" (16x86x1557)



- (14) **M6 - FLOOR BOARD - W4L06066**
5/8"x3 3/8"x54 1/2" (16x86x1384)



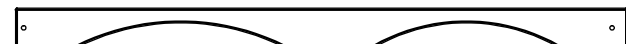
- (1) **M7 - WALL RAIL - W4L06087**
5/8"x3 3/8"x54 1/2" (16x86x1384)



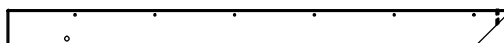
- (1) **M8 - ARCHED RAIL - W4L06101**
5/8"x3 3/8"x54 1/2" (16x86x1384)



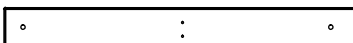
- (2) **M9 - WALL BOARD - W4L06148**
5/8"x3 3/8"x54 1/4" (16x86x1377)



- (1) **M10 - ARCHED RAIL - W4L06103**
5/8"x3 3/8"x53 1/8" (16x86x1350)



- (4) **M11 - ROOF RAFTER - W4L06114**
5/8"x3 3/8"x43 7/8" (16x86x1114)



- (1) **M12 - WALL RAIL - W4L06121**
5/8"x3 3/8"x31" (16x86x788)

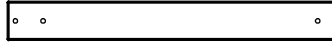


- (1) **M13 - WALL RAIL - W4L06112**
5/8"x3 3/8"x29 1/4" (16x86x744)

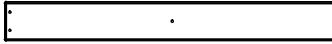
Parts Identification

Wood Components

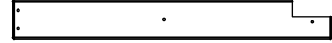
(NOT TO SCALE)



- (1) **M14 - WALL RAIL - W4L06113**
5/8"x3 3/8"x28 5/8" (16x86x728)



- (5) **M15 - FLOOR BOARD - W4L06120**
5/8"x3 3/8"x29 1/8" (16x86x740)



- (1) **M16 - FLOOR BOARD - W4L06130**
5/8"x3 3/8"x27 3/4" (16x86x704)



- (1) **M17 - WALL RAIL - W4L06094**
5/8"x3 3/8"x27 1/4" (16x86x692)



- (2) **M18 - WALL BOARD - W4L06108**
5/8"x3 3/8"x27" (16x86x686)



- (1) **M19 - WALL BOARD - W4L06096**
5/8"x3 3/8"x27" (16x86x686)



- (1) **M20 - ATTACHMENT BOARD - W4L06146**
5/8"x3 3/8"x21 1/2" (16x86x547)



- (13) **M21 - FLOOR BOARD - W4L06080**
5/8"x3 3/8"x21 1/4" (16x86x540)



- (1) **M22 - FLOOR BOARD - W4L06081**
5/8"x3 3/8"x21 1/4" (16x86x540)



- (24) **M23 - STAIR STEP BOARD - W4L06122**
5/8"x3 1/4"x19" (16x83x483)



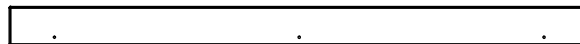
- (2) **M24 - WALL RAIL - W4L06107**
5/8"x3 3/8"x15 5/8" (16x86x398)



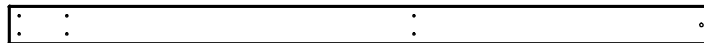
- (1) **M25 - WALL RAIL - W4L06098**
5/8"x3 3/8"x6 3/4" (16x86x172)



- (1) **M26 - WALL RAIL - W4L06110**
5/8"x3 3/8"x5 3/8" (16x86x138)



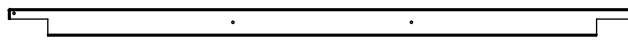
- (2) **M27 - CORNER BOARD - W4L06147**
5/8"x3 3/8"x50 3/8" (16x86x1280)



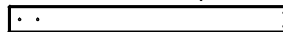
- (1) **M28 - WALL BOARD - W4L06180**
5/8"x3 3/8"x61 1/4" (16x86x1557)



- (14) **M29 - WALL BOARD - W4L06181**
5/8"x3 3/8"x28 5/8" (16x86x726)



- (2) **N1 - FLOOR BOARD - W4L06067**
5/8"x2 3/8"x54 1/2" (16x60x1384)



- (2) **N2 - SUNBURST BOARD - W4L06116**
5/8"x2 3/8"x24 3/8" (16x60x620)

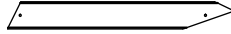
Parts Identification

Wood Components

(NOT TO SCALE)



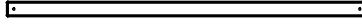
- (2) **N3 - FLOOR BOARD - W4L06078**
5/8"x2 3/8"x19 3/4" (16x60x502)



- (8) **N4 - SUNBURST BOARD - W4L06118**
5/8"x2 3/8"x19 5/8" (16x60x500)



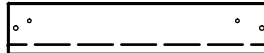
- (4) **N6 - SUNBURST BOARD - W4L06117**
5/8"x2 3/8"x15 7/8" (16x60x404)



- (22) **O1 - PICKET - W4L06135**
5/8"x1 3/8"x31 1/4" (16x34x795)



- (1) **O70 - SLIDE MOUNTING BOARD - W102822**
5/8"x1 3/8"x20 3/8" (16x34x517)



- (1) **Q1 - SUPPORT BOARD - W4L06129**
1"x4 3/8"x22 3/4" (24x112x579)



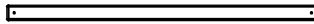
- (1) **SP50 - SWING BEAM SUPPORT - W4L06170**
3 3/8"x3 3/8"x49 3/8" (86x86x1254)



- (1) **T1 - SUPPORT BOARD - W4L06075**
1"x1 3/8"x50" (24x34x1270)



- (2) **T2 - SUPPORT BOARD - W4L06065**
1"x1 3/8"x49 5/8" (24x34x1260)



- (1) **T3 - PICKET - W4L06136**
1"x1 3/8"x27 1/8" (24x34x688)



- (1) **T4 - SUPPORT BOARD - W4L06077**
1"x1 3/8"x23 7/8" (24x34x606)



- (1) **T5 - SUPPORT BOARD - W4L06076**
1"x1 3/8"x21 1/2" (24x34x546)



- (1) **T6 - PICKET - W4L06137**
1"x1 3/8"x19 5/8" (24x34x500)



- (1) **T7 - PICKET - W4L06138**
1"x1 3/8"x18 3/8" (24x34x468)



- (2) **T8 - SUPPORT BOARD - W4L06119**
1"x1 3/8"x16 5/8" (24x34x423)



- (1) **T9 - PICKET - W4L06139**
1"x1 3/8"x15 1/4" (24x34x386)

Parts Identification

Wood Components

(NOT TO SCALE)



- (1) **T10 - PICKET - W4L06140**
1"x1 3/8"x12" (24x34x304)



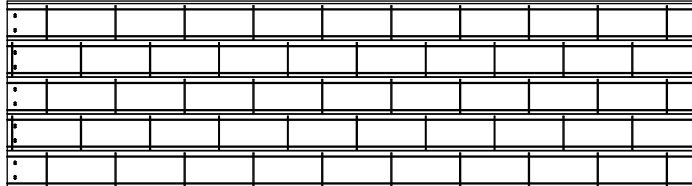
- (1) **T11 - PICKET - W4L06141**
1"x1 3/8"x8 3/4" (24x34x222)



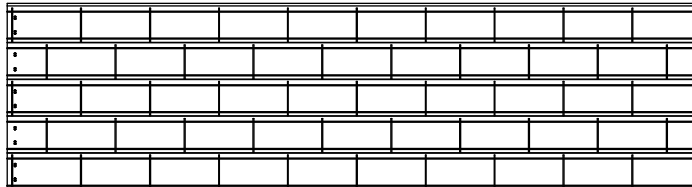
- (1) **E12 - UPRIGHT - W2A01864**
1 3/8"x3 3/8"x57 3/8" (36x86x1457)



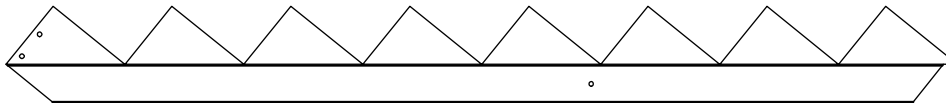
- (2) **RP1 - ROOF PANEL - W2A01860**
1 3/8"x12 1/4"x59 1/2" (35x311x1532)



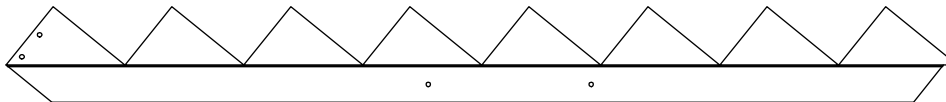
- (2) **RP2 - ROOF PANEL - W2A01861**
1 3/8"x16 1/8"x59 1/2" (35x410x1532)



- (2) **RP3 - ROOF PANEL - W2A01862**
1 3/8"x16 1/8"x59 1/2" (35x410x1532)



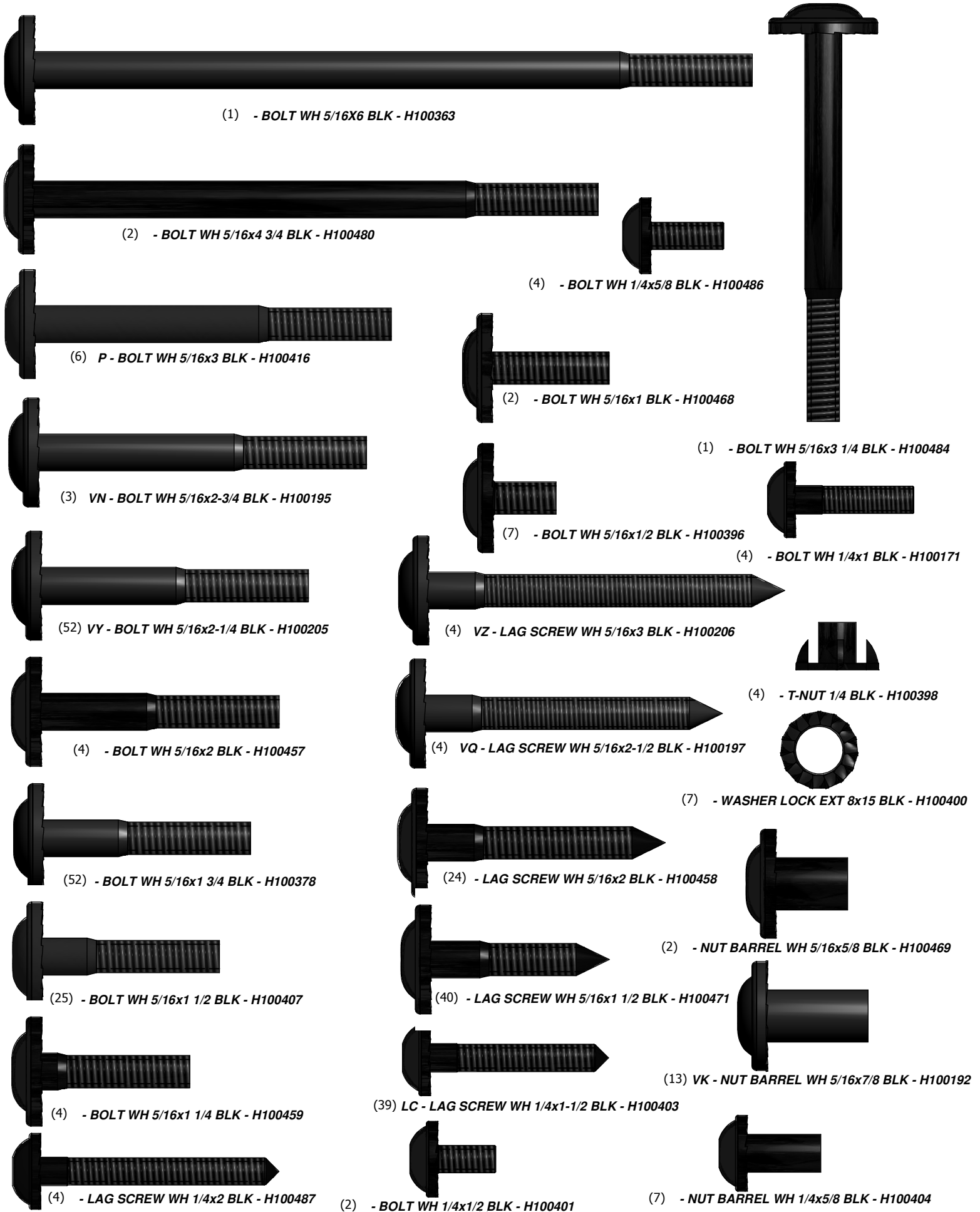
- (1) **SR1 - STAIR RAIL - W2A01863**
1"x8 3/8"x82 5/8" (24x214x2099)



- (1) **SR2 - STAIR RAIL - W2A01868**
1"x8 3/8"x82 5/8" (24x214x2099)

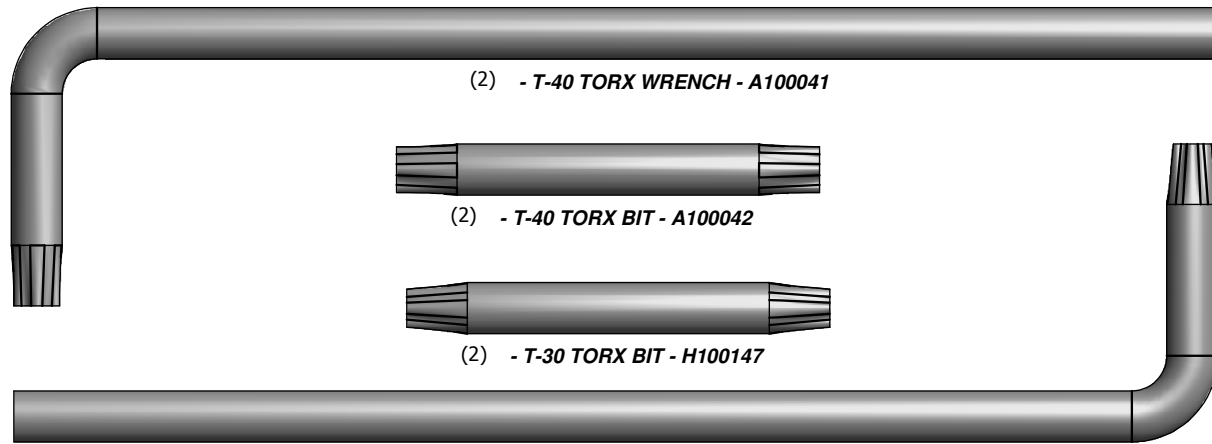
Parts Identification

Hardware



Parts Identification

Hardware



(2) - T-40 TORX WRENCH - A100041

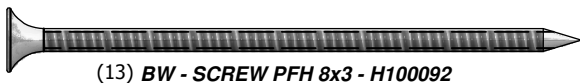


(2) - T-40 TORX BIT - A100042

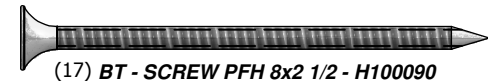


(2) - T-30 TORX BIT - H100147

(2) - T-30 TORX WRENCH - H100114



(13) BW - SCREW PFH 8x3 - H100092



(17) BT - SCREW PFH 8x2 1/2 - H100090



(7) CK - SCREW PFH 8x2 - H100111



(65) BS - SCREW PFH 8x1 3/4 - H100089



(207) BP - SCREW PFH 8x1 1/2 - H100086



(134) BQ - SCREW PFH 8x1 1/4 - H100087



(218) BR - SCREW PFH 8x1 1/8 - H100088



(4) CR - SCREW PFH 8x3/4 - H100121



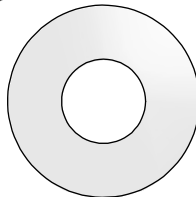
(2) CY - SCREW PWH 8x5/8 - H100128



(13) AT - BOLT HEX 3/8x5 3/4 - H100056



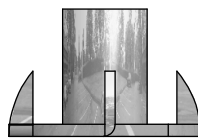
(2) - BOLT HEX 5/16x4 1/4 BLK - H100476



(13) CA - WASHER FLAT 11x25 - H100102



(11) - WASHER FLAT 9x18 BLK - H100474



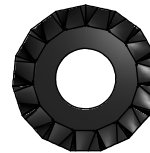
(13) BF - T-NUT 3/8 - H100073



(4) - BOLT HEX 5/16x1 1/4 BLK - H100481

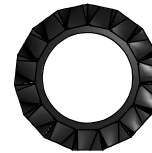


(2) - BOLT HEX 5/16x2-3/4 BLK - H100472

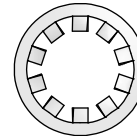


(4) - SCREW PWH 8x1/2 BLK - H100408

(193) VR - WASHER LOCK EXT 8x19 BLK - H100198



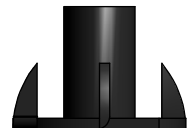
(10) VS - WASHER LOCK EXT 12x19 BLK - H100199



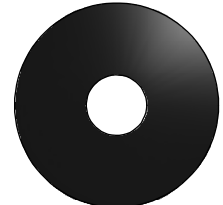
(13) CF - WASHER LOCK INT 10x18 - H100107



(2) - WASHER LOCK INT 8x15 BLK - H100473



(145) - T-NUT 5/16 BLK - H100379



(9) - WASHER FLAT 8x27 BLK - H100478



(7) - WASHER SPLIT 5/16 BLK - H100477



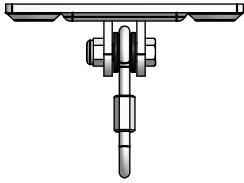
(12) - WASHER LOCK EXT 6x15 BLK - H100405

Parts Identification

Accessories (NOT TO SCALE)



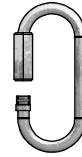
(1) SQ - "A" REVISION TAG - A100314



(6) - SWING HANGER - A4M00505



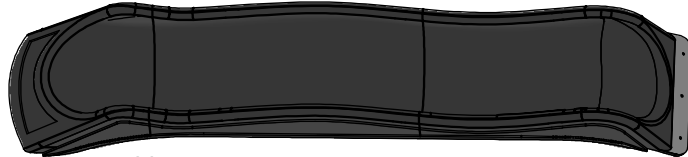
(1) EH - LTP ID TAG (LARGE) AGES 3-10 - A100051



(6) FA - QUICK LINK - A100069



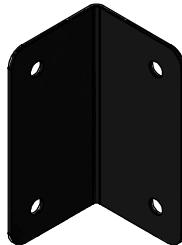
(2) - SWING SEAT GREEN - A6P00054



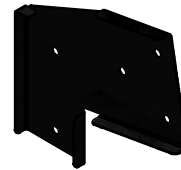
(1) QU - SLIDE VF 10 FT - A100287 OR 50250



(2) - TRIANGLE PLATE 100° 5 HOLE - A4M00614



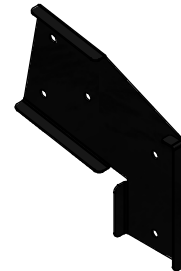
(2) - L BRACKET 66x66x127 - A4M00619



(1) - SWING BEAM EXTENSION BRACKET-LEFT - A4M00617



(1) - TRAPEZE - A6P00034



(1) - SWING BEAM EXTENSION BRACKET-RIGHT - A4M00618



(12) - METAL RUNG 547 - A4M00616



(8) KC - METAL GROUND STAKE BROWN - A100178



(6) - 90° L-BRACKET - BLK - A4M00555



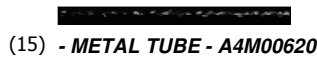
(2) - L BRACKET 2.5x38x50x55 - A4M00615



(1) - PLASTIC CURTAIN ROD - A6P00090



(4) - HAND GRIP METAL BLACK 381 c/c - A4M00613



(15) - METAL TUBE - A4M00620



(23) - METAL TUBE - A4M00597



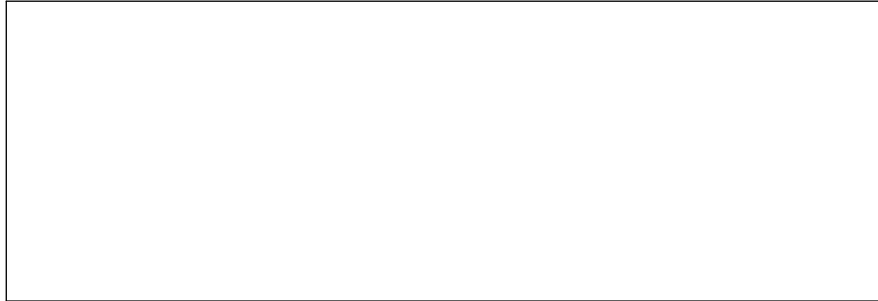
(2) KN - CHAIN GREEN 31" - A100177



(4) EF - CHAIN GREEN 57" - A100047

Parts Identification

Accessories
(NOT TO SCALE)



(1) - *HAMMOCK* - A6P00066



(2) - *CURTAIN* - A6P00089

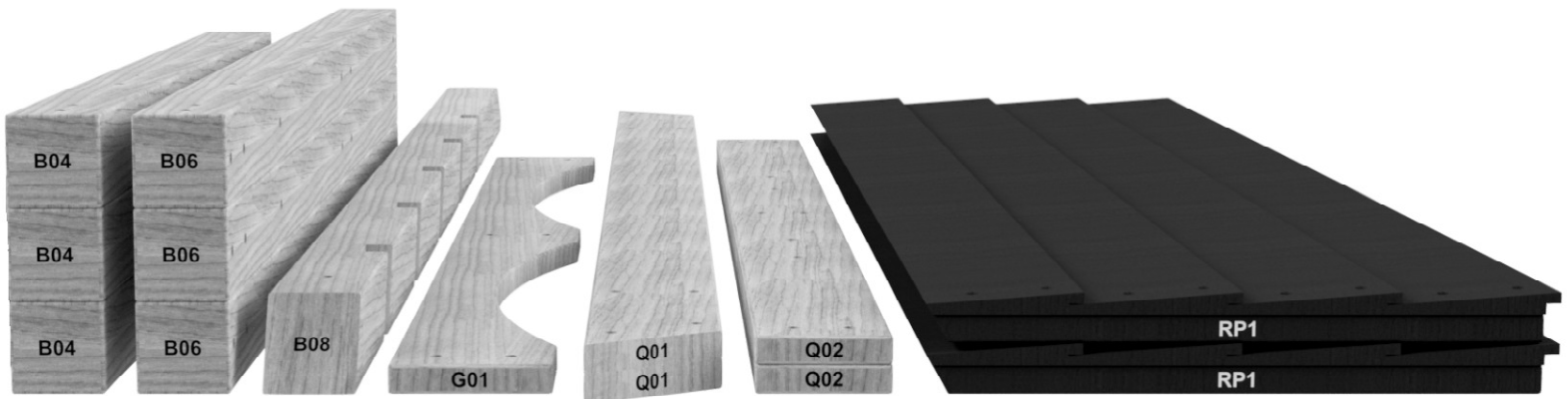
PRE-ASSEMBLY STEP 1 - SORTING PARTS

It is critical for ease of assembly that you take the time to sort and organize the wood and hardware.

WOOD PARTS:

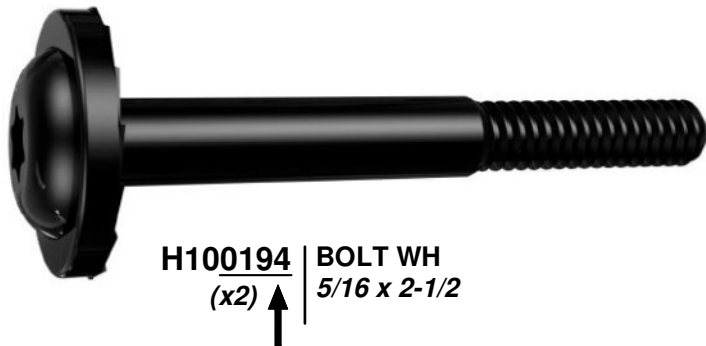
- Organize wood parts by the three-digit, alpha-numeric number stamped on each board (ex. P01).
- If there are multiple boards with the same stamped number, stack those pieces together.
- Stamps can be found on the flat surface of the boards or on the end of the boards.
- Allow yourself plenty of room - the wood pieces can take up a significant amount of space.

NOTE: CARTONS ARE NOT ORGANIZED BY BOARD NUMBER.



HARDWARE PARTS:

- We recommend that you have a separate table to organize the hardware.
- Hardware bags are printed with a seven-digit, alpha-numeric part number.
- You can organize your hardware by part number or group by hardware type (i.e. bolts, nuts, etc.).
- During assembly you only need to reference the last four digits of the number.



PRE-ASSEMBLY STEP 2 - TOOLS REQUIRED



**Cordless Drill or
Electric Drill**



**Drill Attachments:
Phillips Head**



**1/8", 3/16", 3/8" & 7/16"
Drill Bits**



Phillips Screw Driver



Open End Wrenches 1/2" & 9/16"



**3/8" Drive Ratchet, 1/2" &
9/16" STD Sockets 1/2" & 9/16" Deep
Sockets**



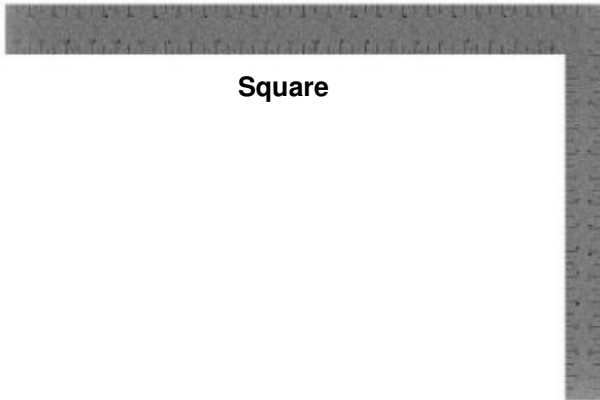
Claw Hammer



Rubber Mallet - Optional



Tape Measure



Square

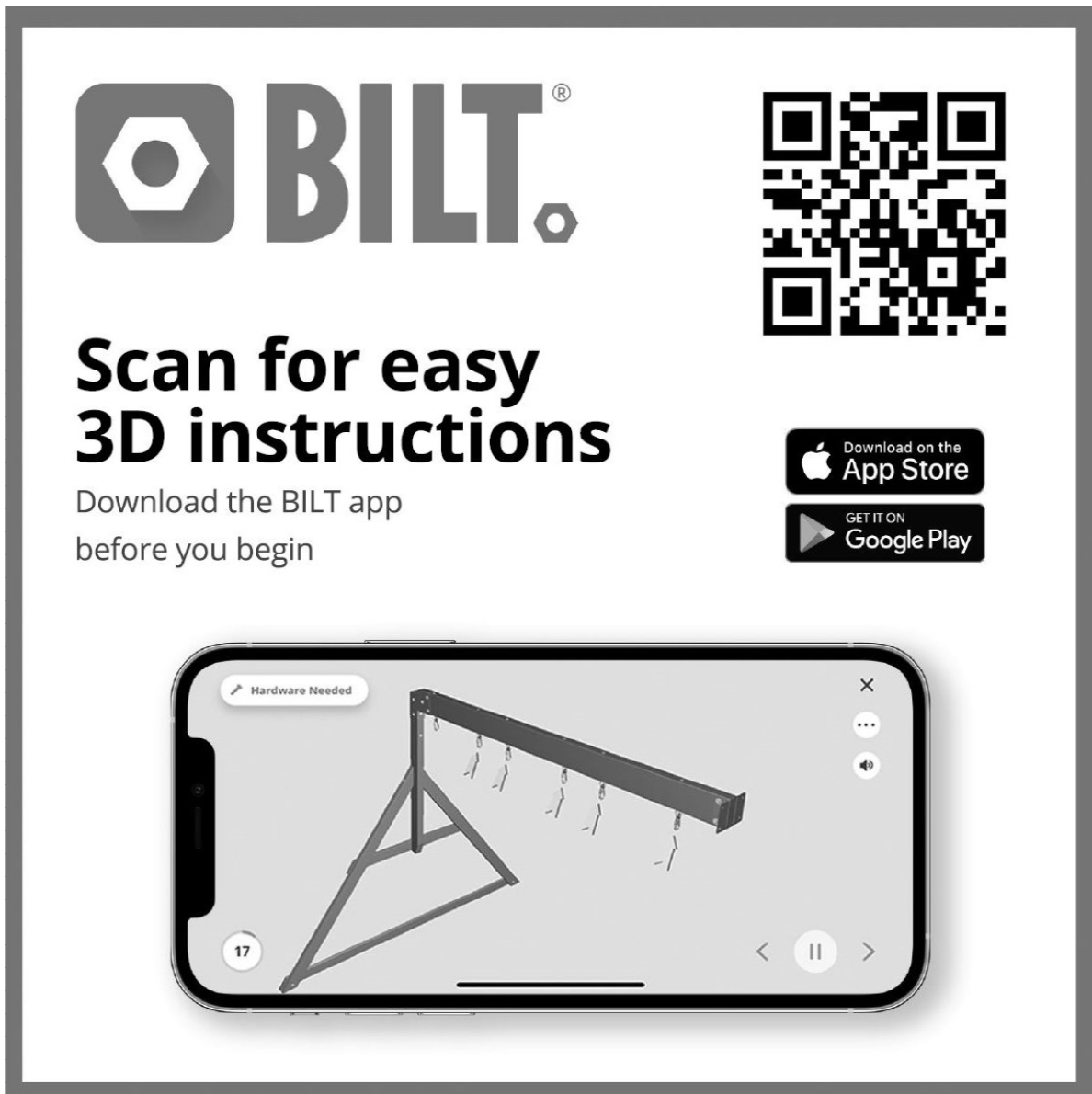


Level 24"

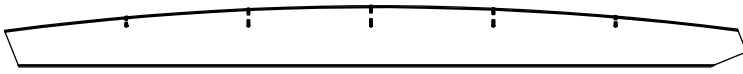
PRE-ASSEMBLY STEP 3 - CHOOSE YOUR ASSEMBLY METHOD

There are several types of assembly instructions available to you.

1. Printed Assembly Manual included with your set
2. BILT APP - 3D interactive instructions
3. Combination of the Printed Manual and BILT APP (Note: Step numbers can differ between the two methods)



The advertisement features the BILT logo on the left, a QR code on the right, and the text "Scan for easy 3D instructions" in the center. Below the text are buttons for "Download on the App Store" and "GET IT ON Google Play". At the bottom, a smartphone screen displays a 3D assembly instruction for step 17, showing a metal frame with a horizontal beam and several hanging components. The screen also includes a "Hardware Needed" button, a close button (X), a menu button (three dots), a volume icon, and navigation arrows.



(2) G2 - LADDER UPRIGHT - W4L06144
1"x5 1/4"x64 1/2" (24x134x1637)

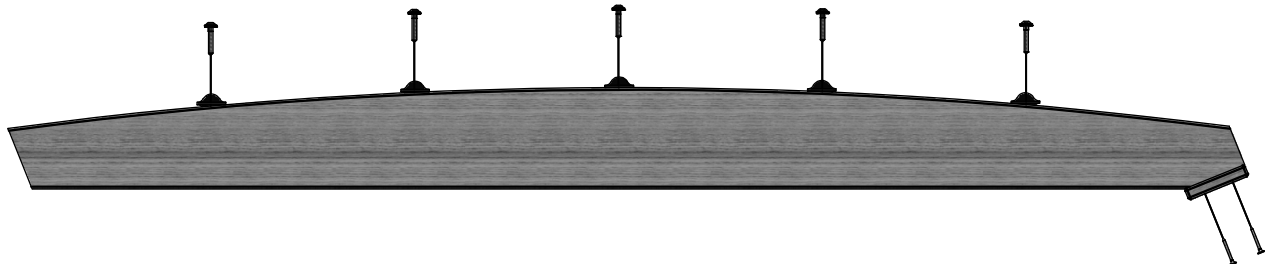
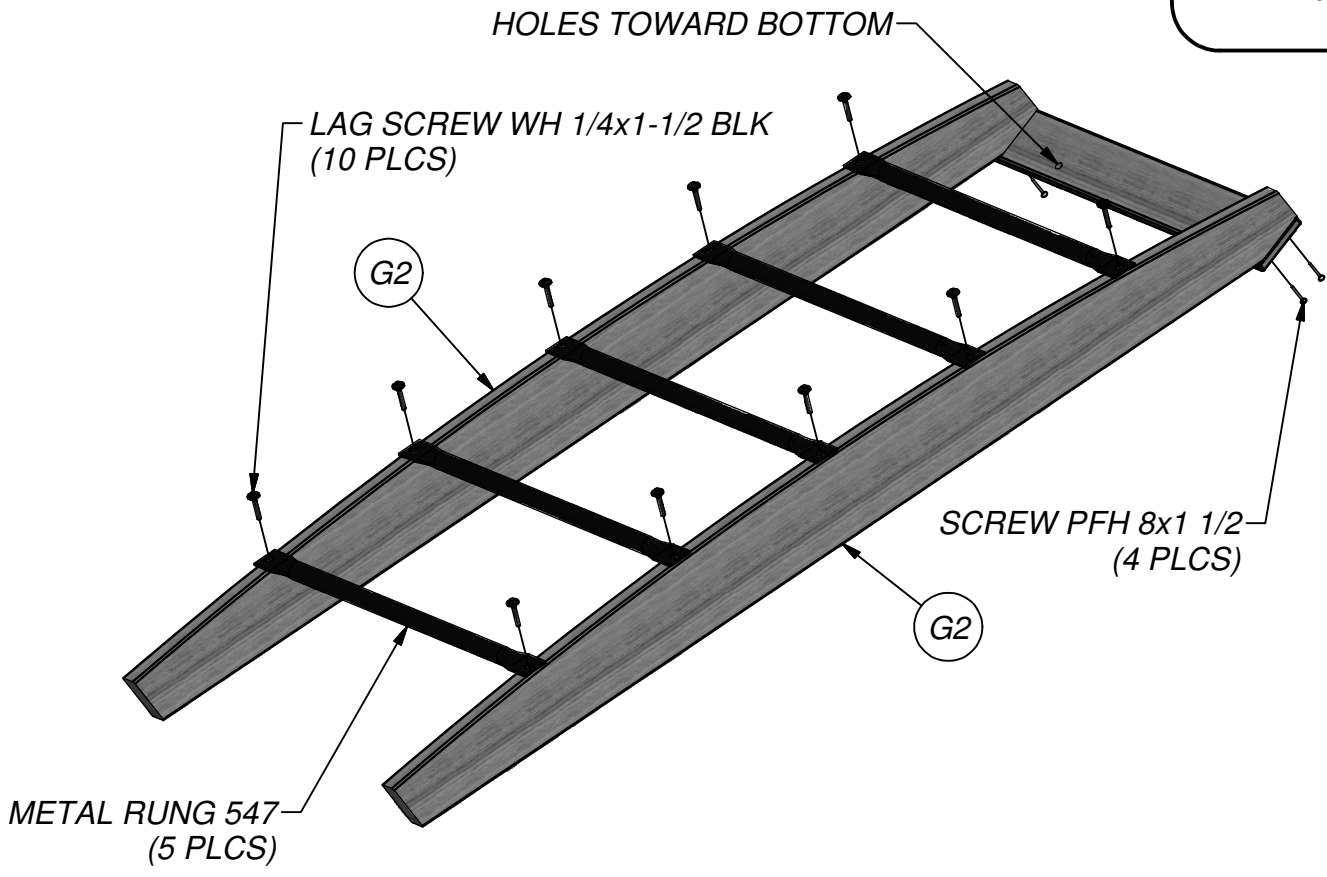
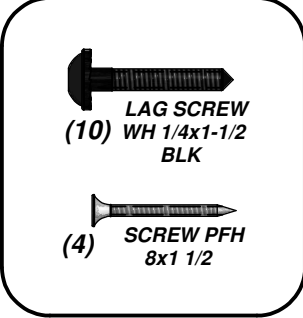


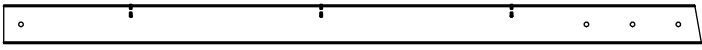
(1) M20 - ATTACHMENT BOARD - W4L06146
5/8"x3 3/8"x21 1/2" (16x86x547)



(5) - METAL RUNG 547 - A4M00616

LADDER ASSEMBLY





(1) E74 - MONKEY BAR RAIL - W4L06149
1 3/8"x3 3/8"x60 5/8" (36x86x1539)

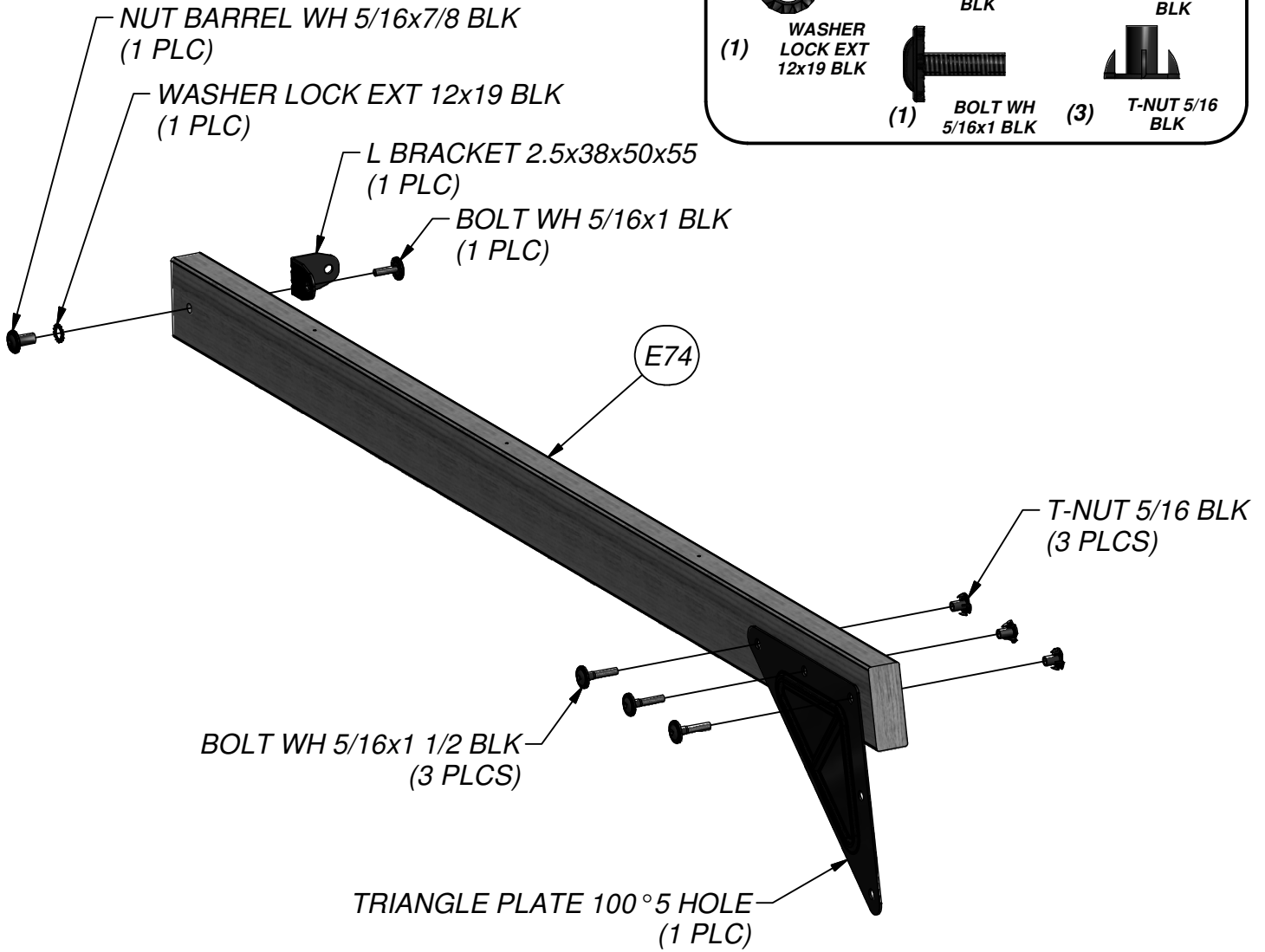
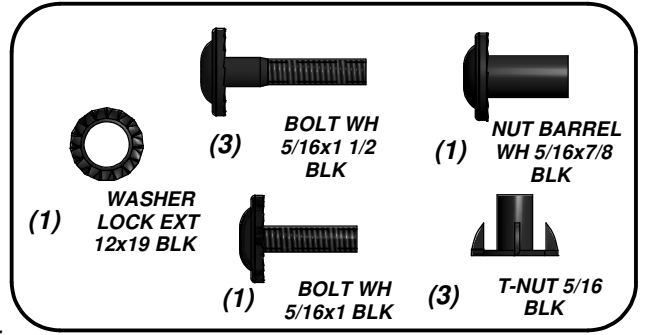


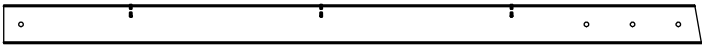
(1) - TRIANGLE PLATE 100° 5 HOLE - A4M00614



(1) - L BRACKET 2.5x38x50x55 - A4M00615

**MONKEY BAR ASSEMBLY
STEP 1**





(1) **E74 - MONKEY BAR RAIL - W4L06149**
 1 3/8"x3 3/8"x60 5/8" (36x86x1539)

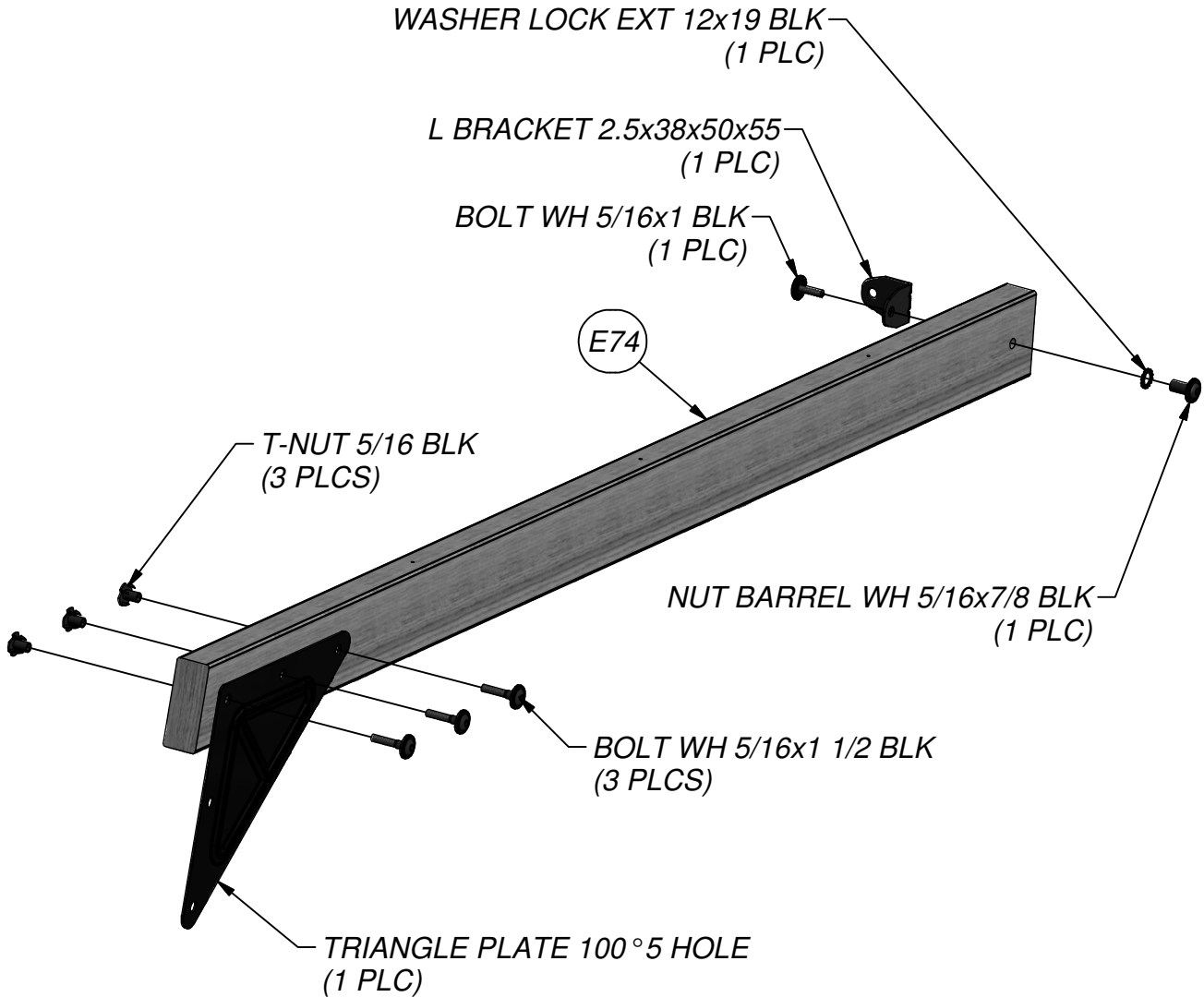
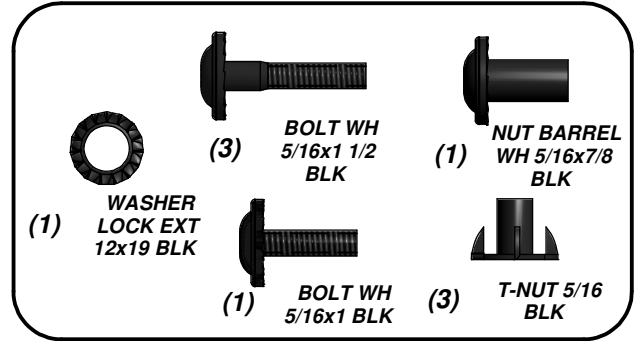


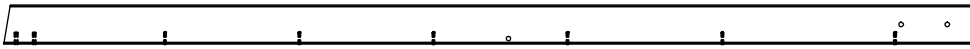
(1) - **TRIANGLE PLATE 100° 5 HOLE - A4M00614**



(1) - **L BRACKET 2.5x38x50x55 - A4M00615**

MONKEY BAR ASSEMBLY
STEP 2



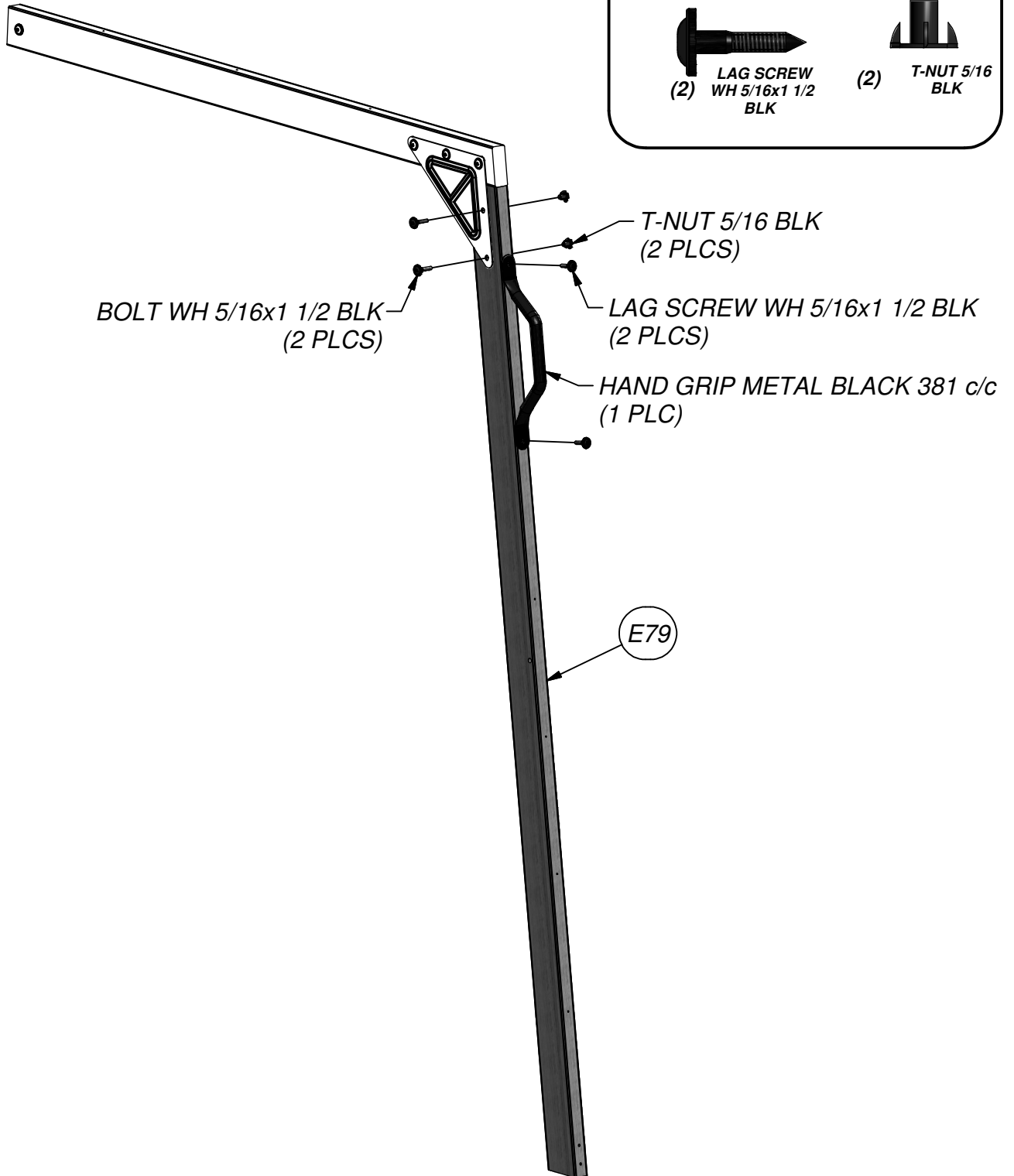
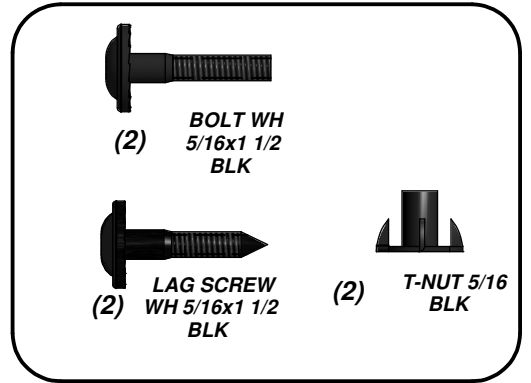


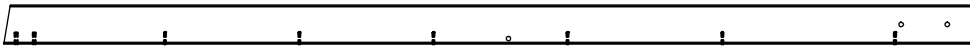
(1) **E79 - MONKEY BAR UPRIGHT - W4L06150**
 1 3/8"x3 3/8"x84 1/2" (36x86x2148)



(1) - **HAND GRIP METAL BLACK 381 c/c - A4M00613**

MONKEY BAR ASSEMBLY
STEP 3



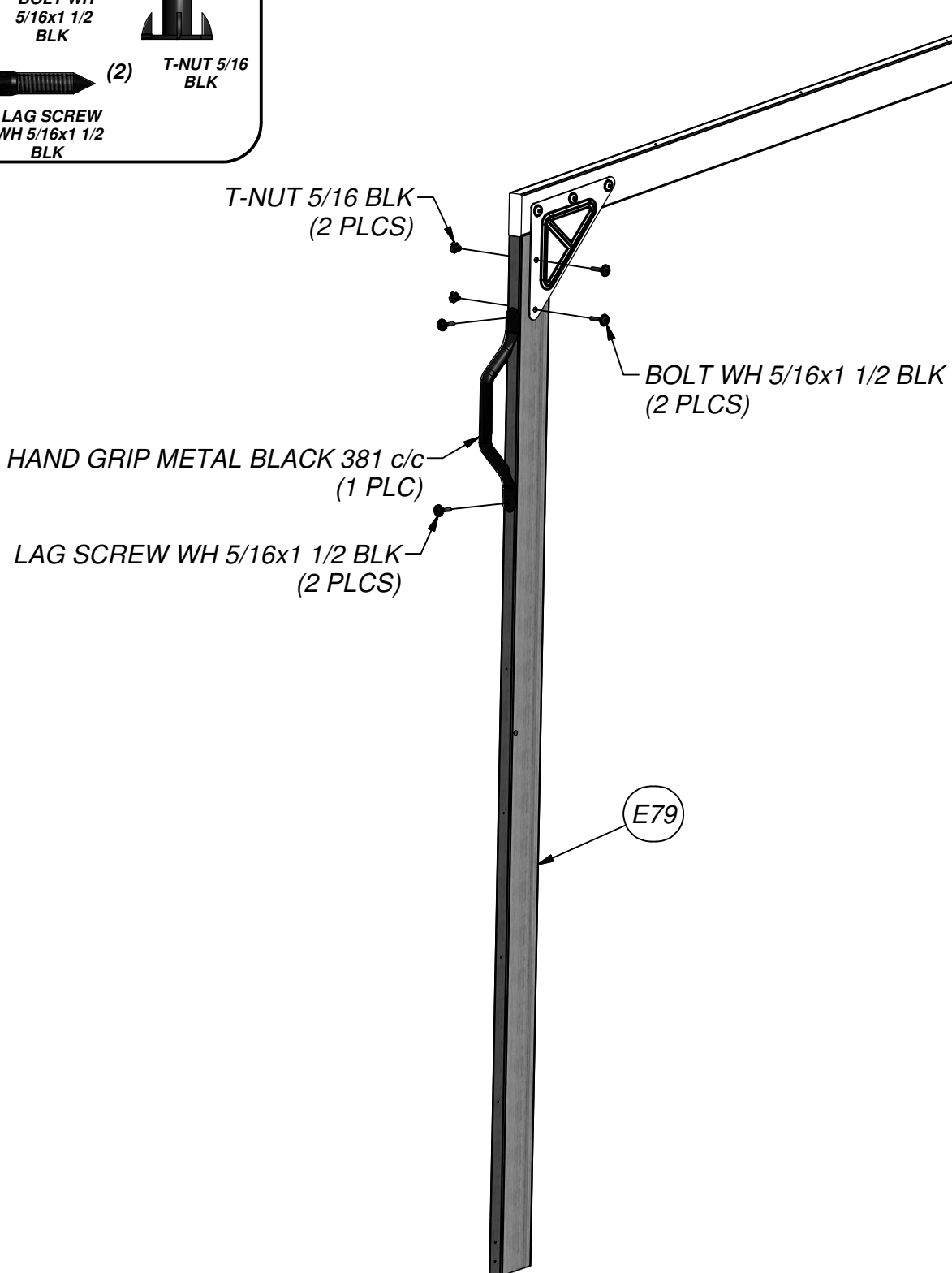
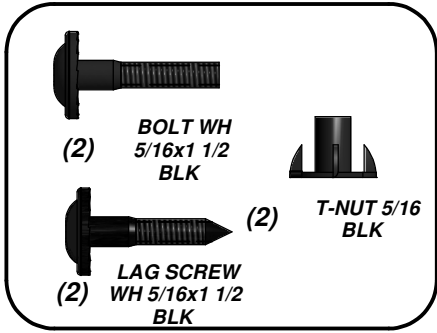


(1) **E79 - MONKEY BAR UPRIGHT - W4L06150**
 1 3/8"x3 3/8"x84 1/2" (36x86x2148)



(1) - **HAND GRIP METAL BLACK 381 c/c - A4M00613**

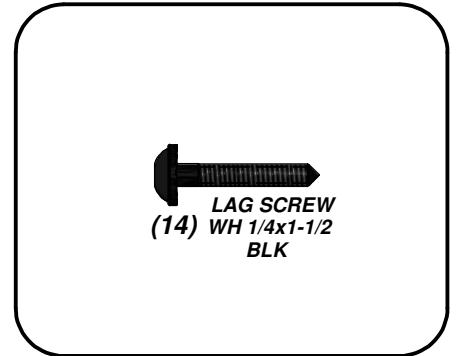
**MONKEY BAR ASSEMBLY
 STEP 4**





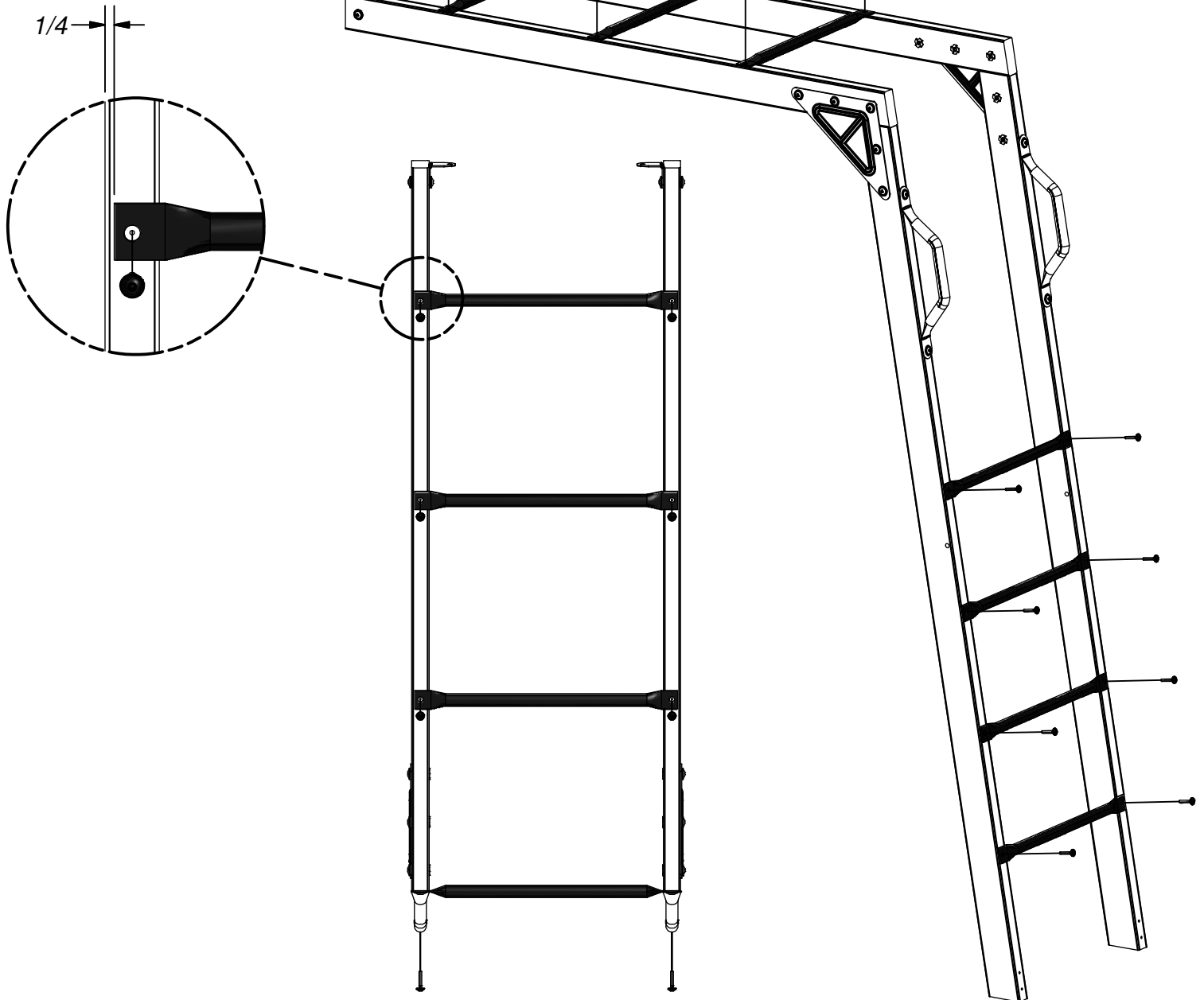
(7) - METAL RUNG 547 - A4M00616

**MONKEY BAR ASSEMBLY
STEP 5**



LAG SCREW WH 1/4x1-1/2 BLK
(14 PLCS)

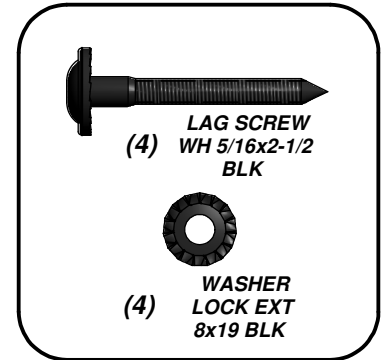
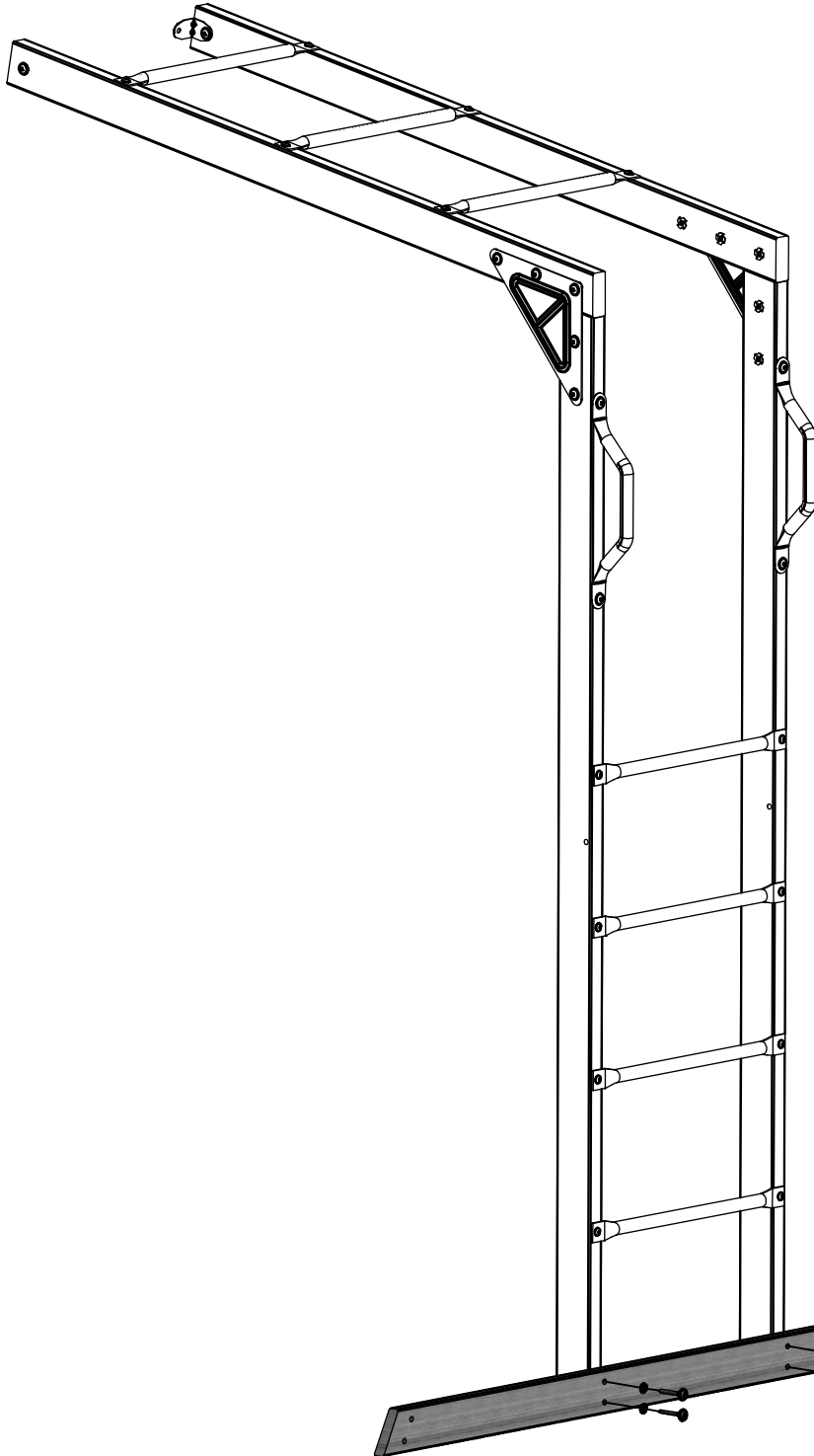
METAL RUNG 547
(7 PLCS)





(1) **H82 - MONKEY BAR GROUND BOARD - W4L06168**
1"x3 3/8"x70 3/8" (24x86x1786)

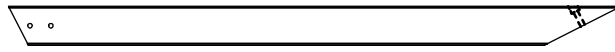
MONKEY BAR ASSEMBLY
STEP 6



H82

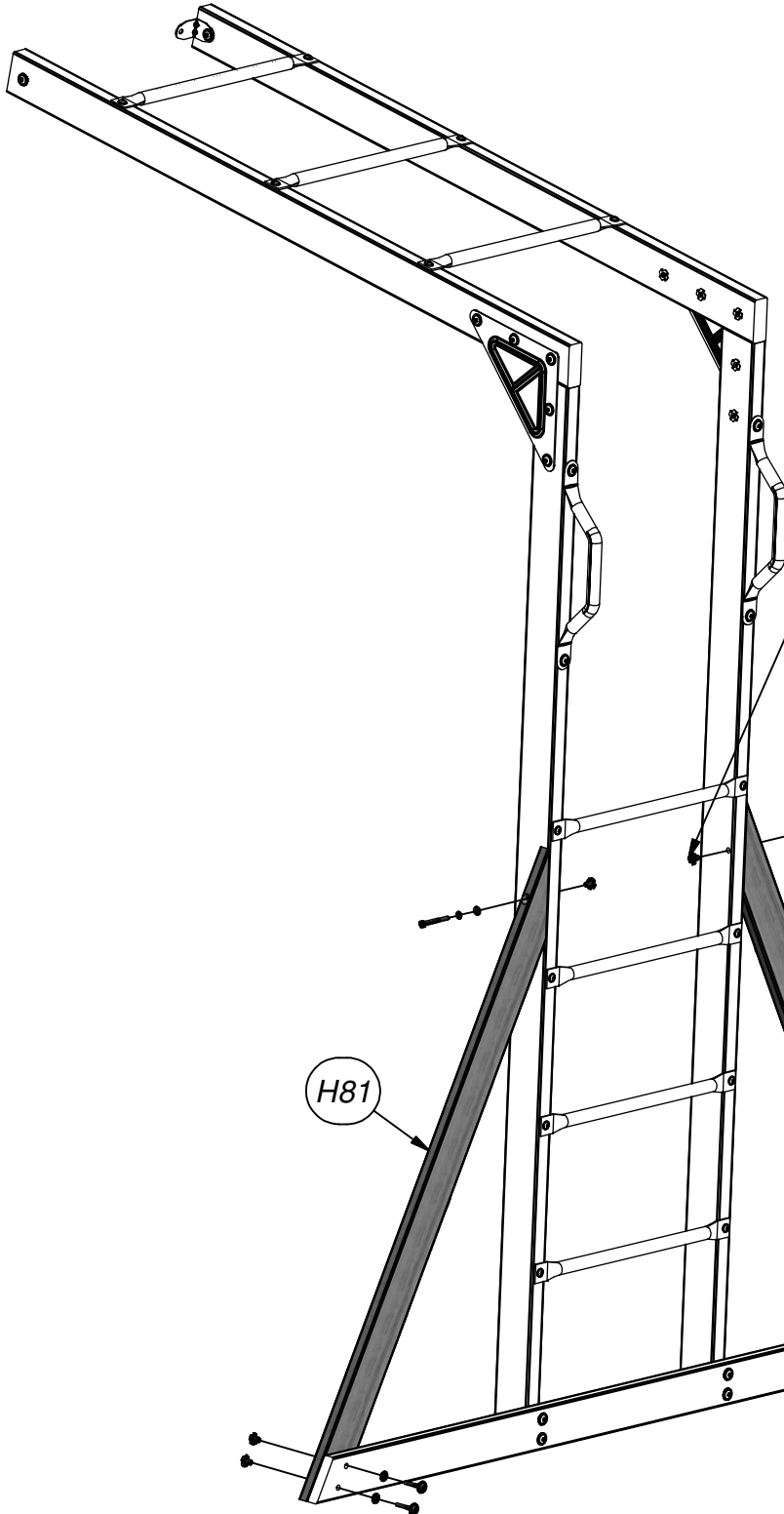
LAG SCREW WH 5/16x2-1/2 BLK
(4 PLCS)

WASHER LOCK EXT 8x19 BLK
(4 PLCS)



(2) **H81 - MONKEY BAR BRACE - W4L06151**
 1"x3 3/8"x53 1/4" (24x86x1352)

MONKEY BAR ASSEMBLY
STEP 7



| | | | | | | | | |
|-----|--|--------------------------------|-----|--|-------------------------------|-----|--|--------------------------------|
| (2) | | WASHER LOCK INT 8x15 BLK | (4) | | BOLT WH 5/16x1 3/4 BLK | (6) | | T-NUT 5/16 BLK |
| (2) | | WASHER FLAT 9x18 BLK | (2) | | BOLT HEX 5/16x2-3/4 BLK | (4) | | WASHER LOCK EXT 8x19 BLK |

T-NUT 5/16 BLK
(2 PLCS)

WASHER FLAT 9x18 BLK
(2 PLCS)

WASHER LOCK INT 8x15 BLK
(2 PLCS)

BOLT HEX 5/16x2-3/4 BLK
(2 PLCS)

H81

H81

T-NUT 5/16 BLK
(4 PLCS)

BOLT WH 5/16x1 3/4 BLK
(4 PLCS)

WASHER LOCK EXT 8x19 BLK
(4 PLCS)



(1) **A50 - SWING BEAM - W4L06169**
 3 3/8"x5 1/4"x89 1/2" (86x134x2274)



(2) **- L BRACKET 66x66x127 - A4M00619**

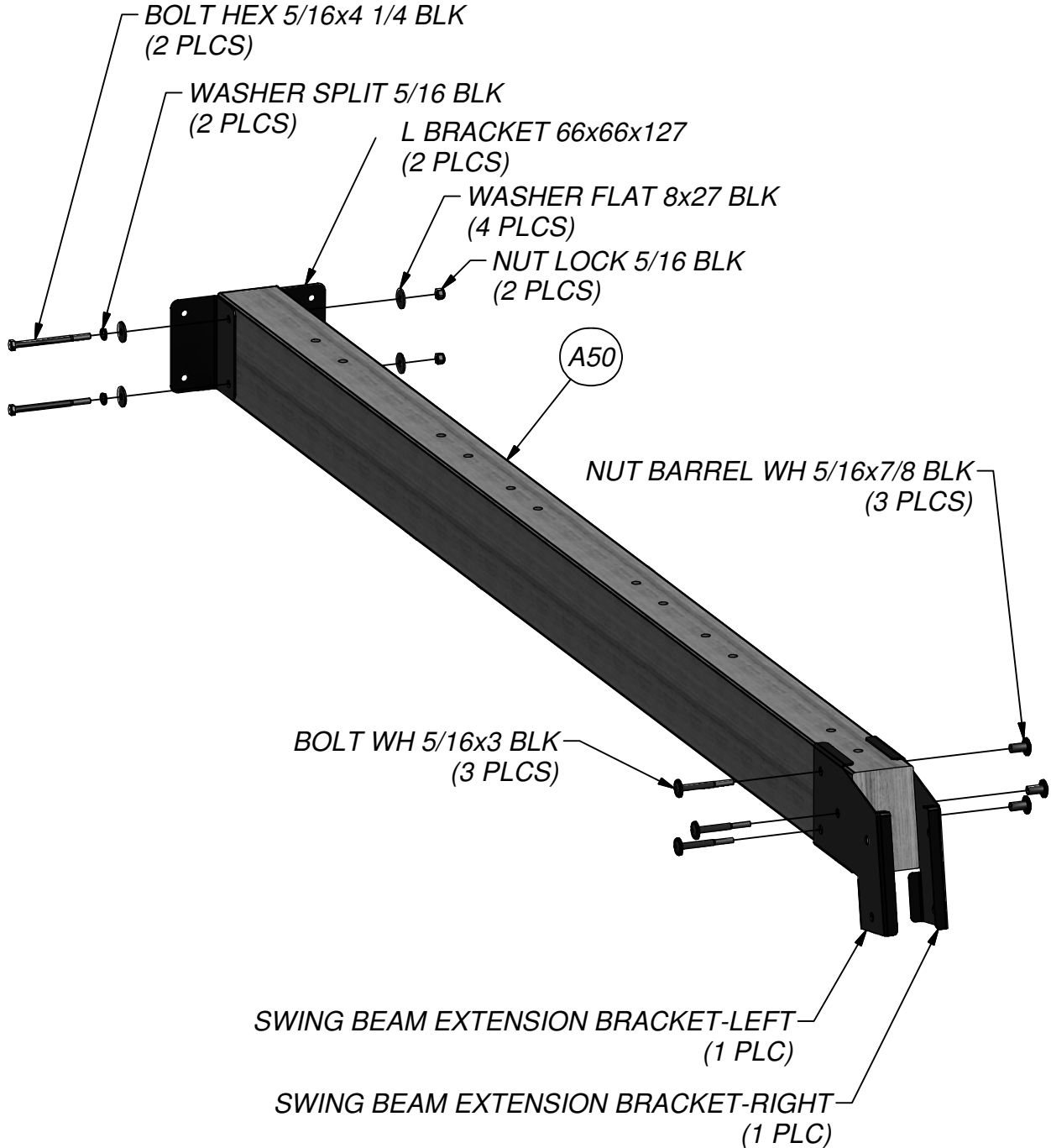
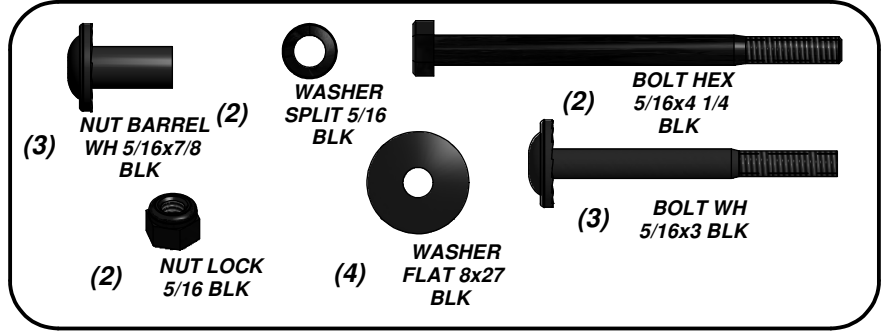


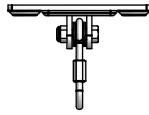
(1) **- SWING BEAM EXTENSION BRACKET-LEFT - A4M00617**



(1) **- SWING BEAM EXTENSION BRACKET-RIGHT - A4M00618**

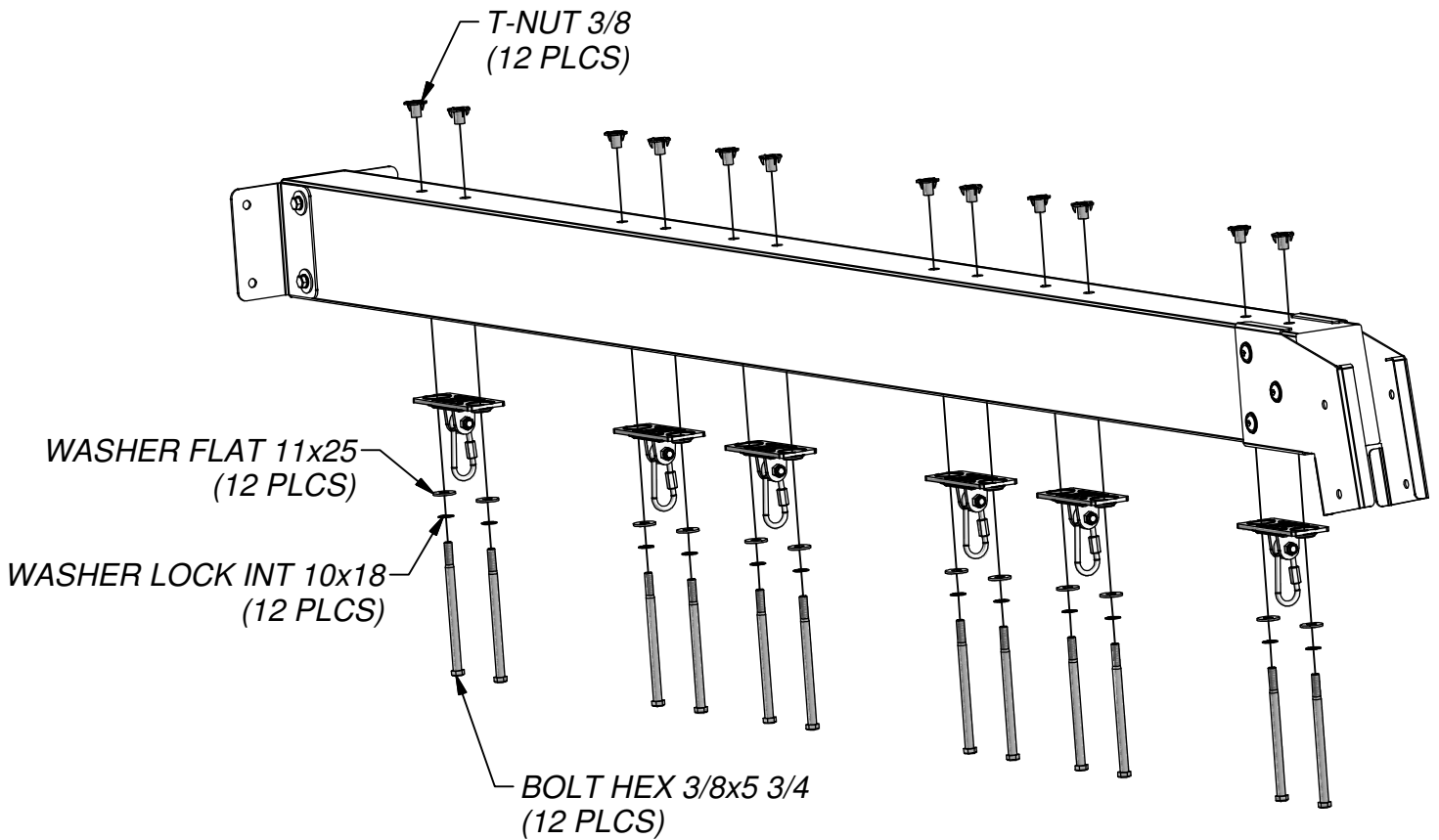
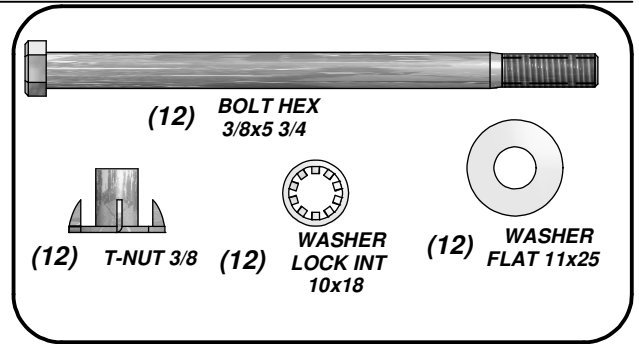
**SWING BEAM ASSEMBLY
 STEP 1**

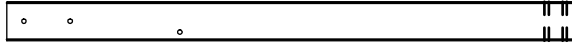




(6) BY - SWING HANGER- A4M00505

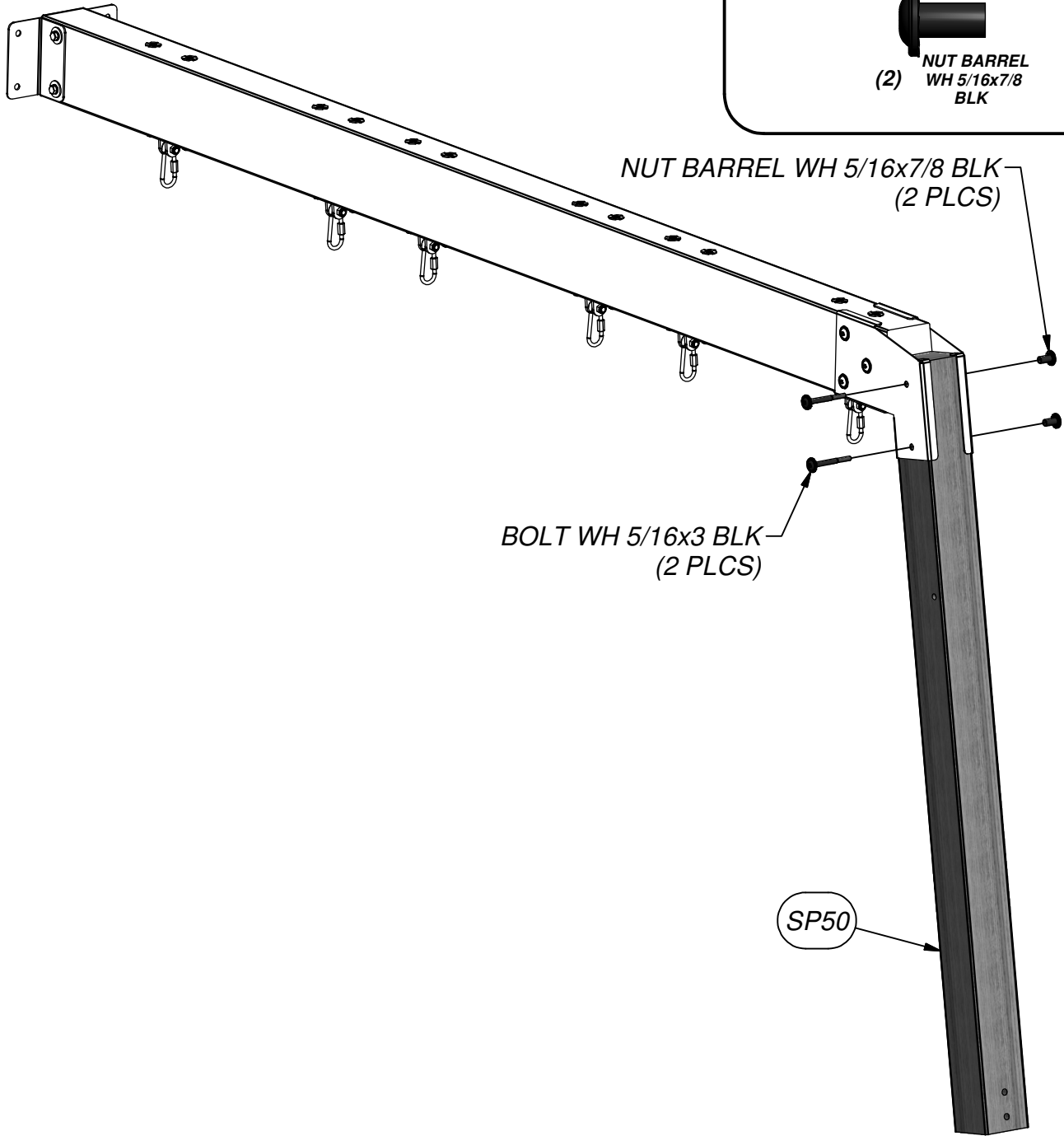
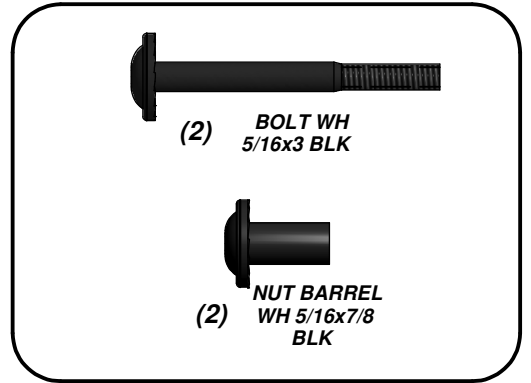
**SWING BEAM ASSEMBLY
STEP 2**

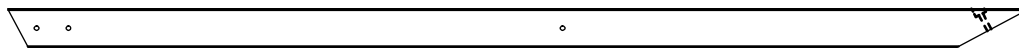




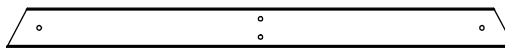
(1) **SP50 - SWING BEAM SUPPORT - W4L06170**
3 3/8"x3 3/8"x49 3/8" (86x86x1254)

**SWING BEAM ASSEMBLY
STEP 3**



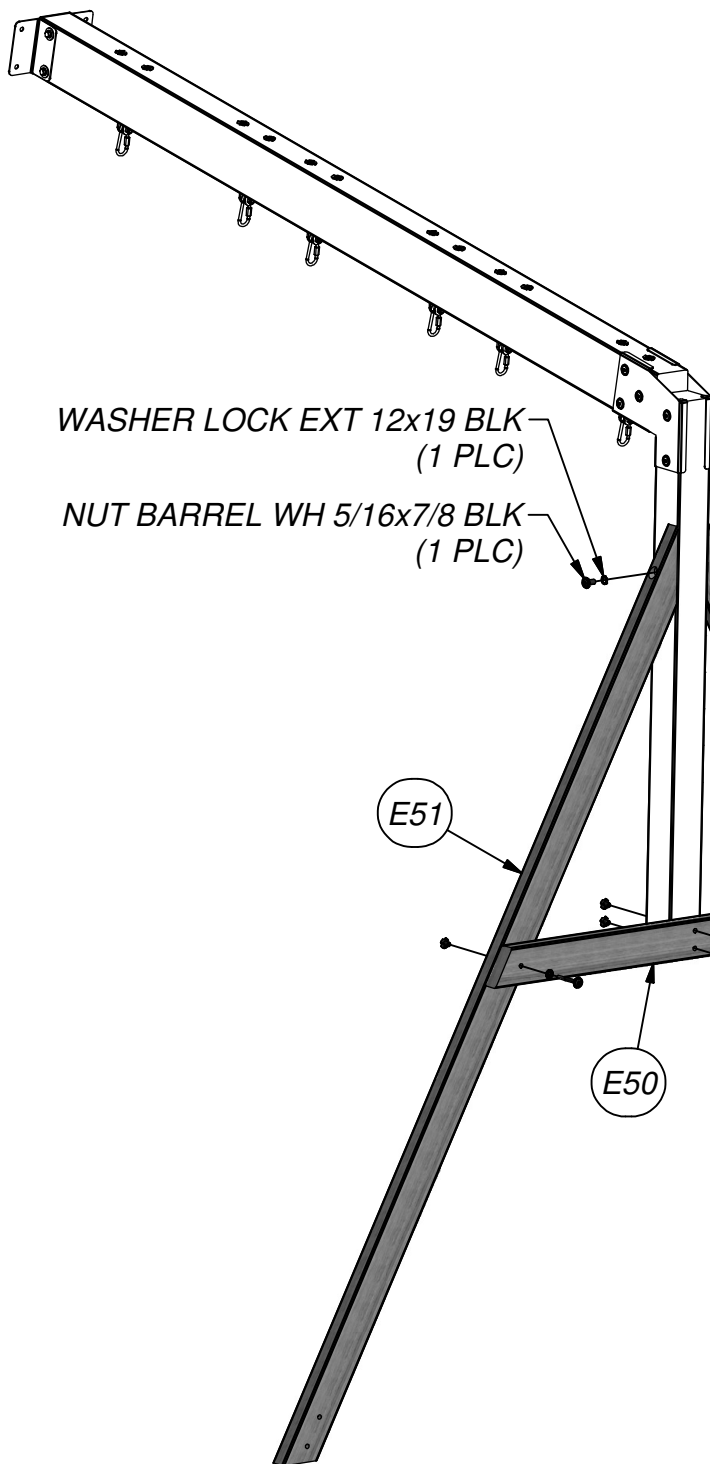


(2) **E51 - ANGLE BRACE - W4L06171**
 1 3/8"x3 3/8"x88 3/4" (36x86x2254)



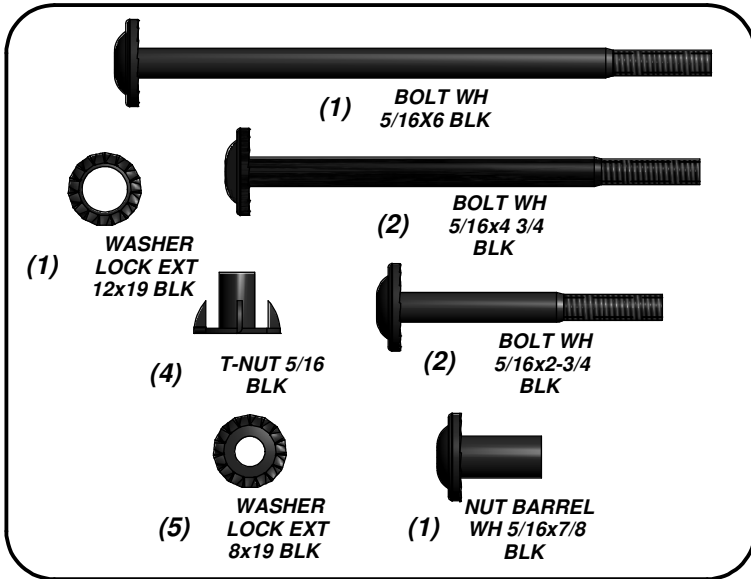
(1) **E50 - END SUPPORT - W4L06172**
 1 3/8"x3 3/8"x44 1/8" (36x86x1120)

**SWING BEAM ASSEMBLY
 STEP 4**



WASHER LOCK EXT 12x19 BLK
 (1 PLC)

NUT BARREL WH 5/16x7/8 BLK
 (1 PLC)



WASHER LOCK EXT 8x19 BLK
 (1 PLC)

BOLT WH 5/16X6 BLK
 (1 PLC)

E51

T-NUT 5/16 BLK
 (4 PLCS)

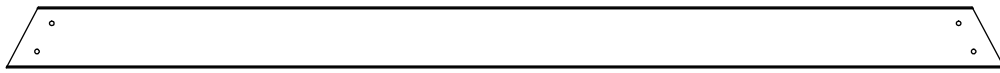
BOLT WH 5/16x2-3/4 BLK
 (2 PLCS)

WASHER LOCK EXT 8x19 BLK
 (4 PLCS)

E50

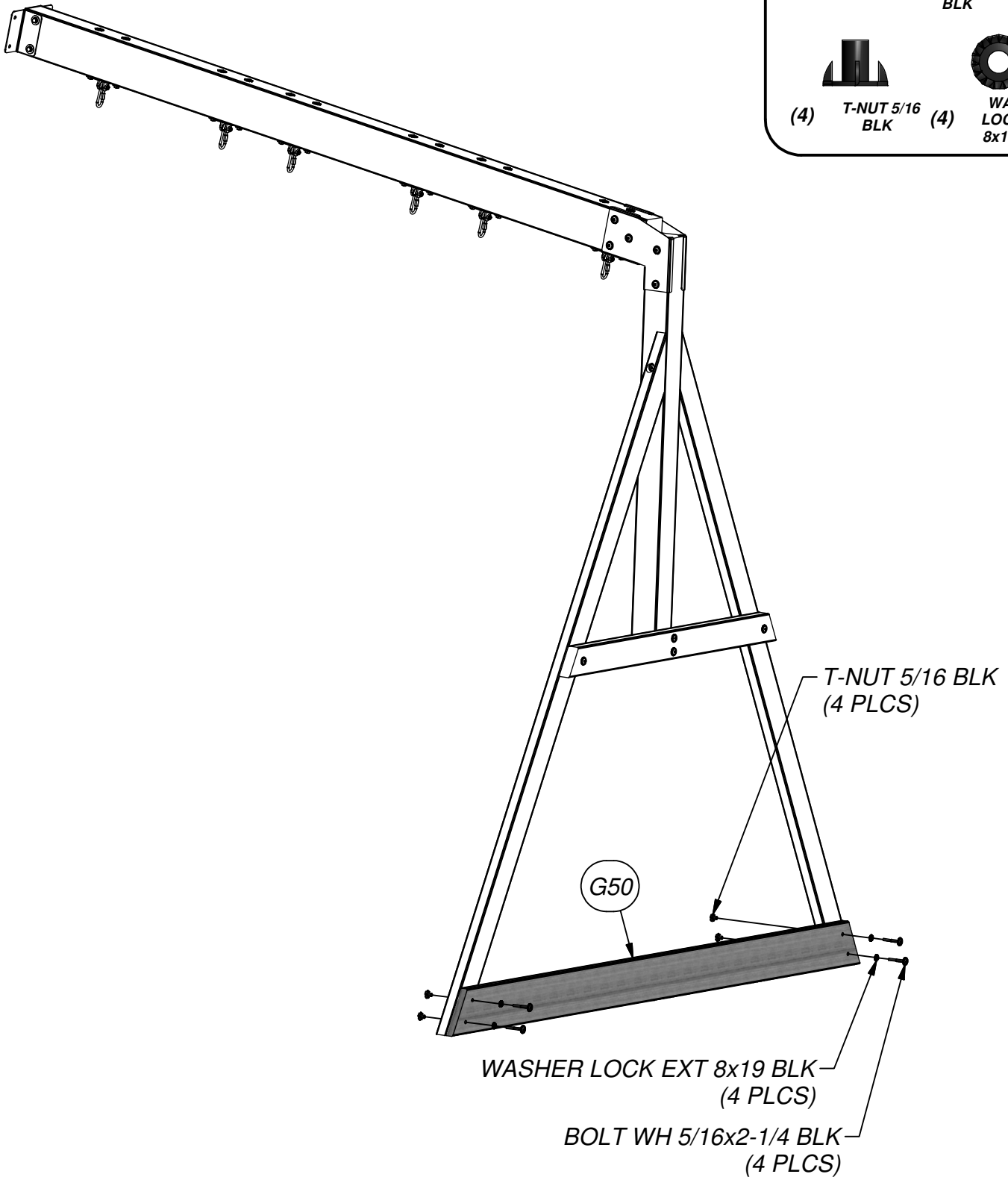
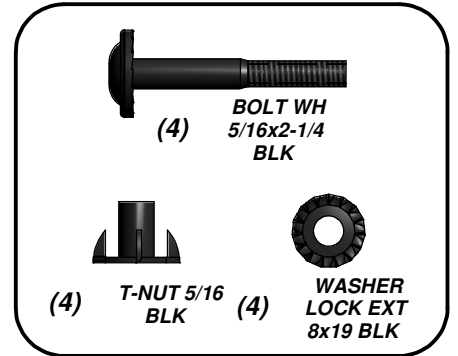
E51

BOLT WH 5/16x4 3/4 BLK
 (2 PLCS)



(1) **G50 - GROUND BOARD - W4L06173**
1"x5 1/4"x86 3/4" (24x134x2202)

SWING BEAM ASSEMBLY
STEP 5



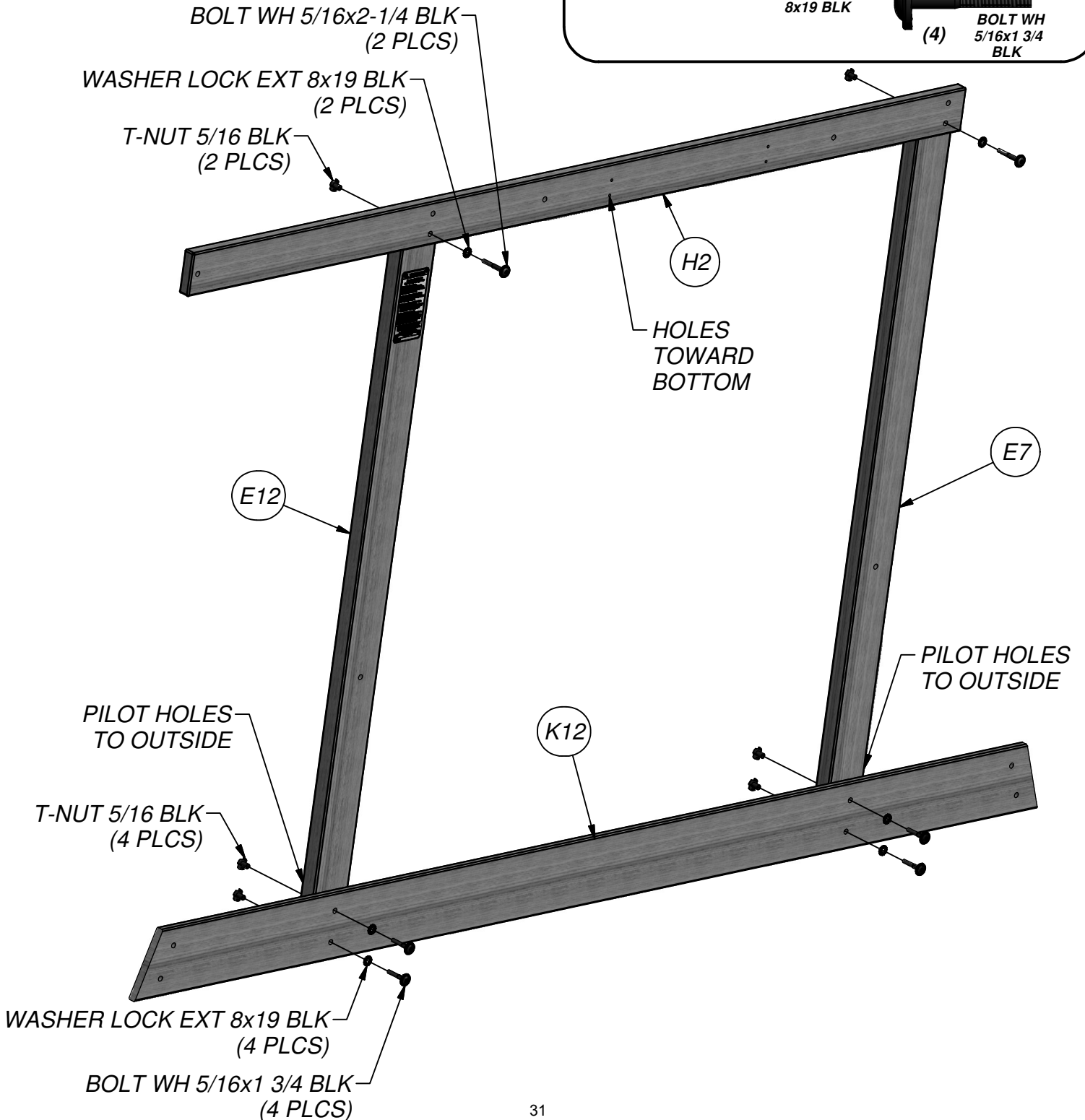
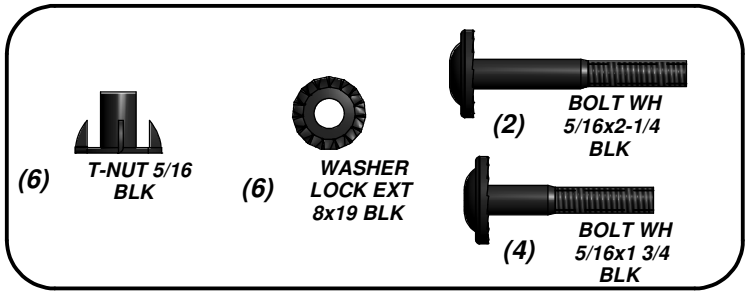
(1) E12 - UPRIGHT - W2A01864
1 3/8"x3 3/8"x57 3/8" (36x86x1457)

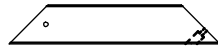
(1) E7 - UPRIGHT - W4L06051
1 3/8"x3 3/8"x57 3/8" (36x86x1457)

(1) H2 - FLOOR SUPPORT - W4L06060
1"x3 3/8"x76 3/4" (24x86x1948)

(1) K12 - GROUND BOARD - W4L06185
5/8"x5 1/4"x89 1/2" (16x134x2274)

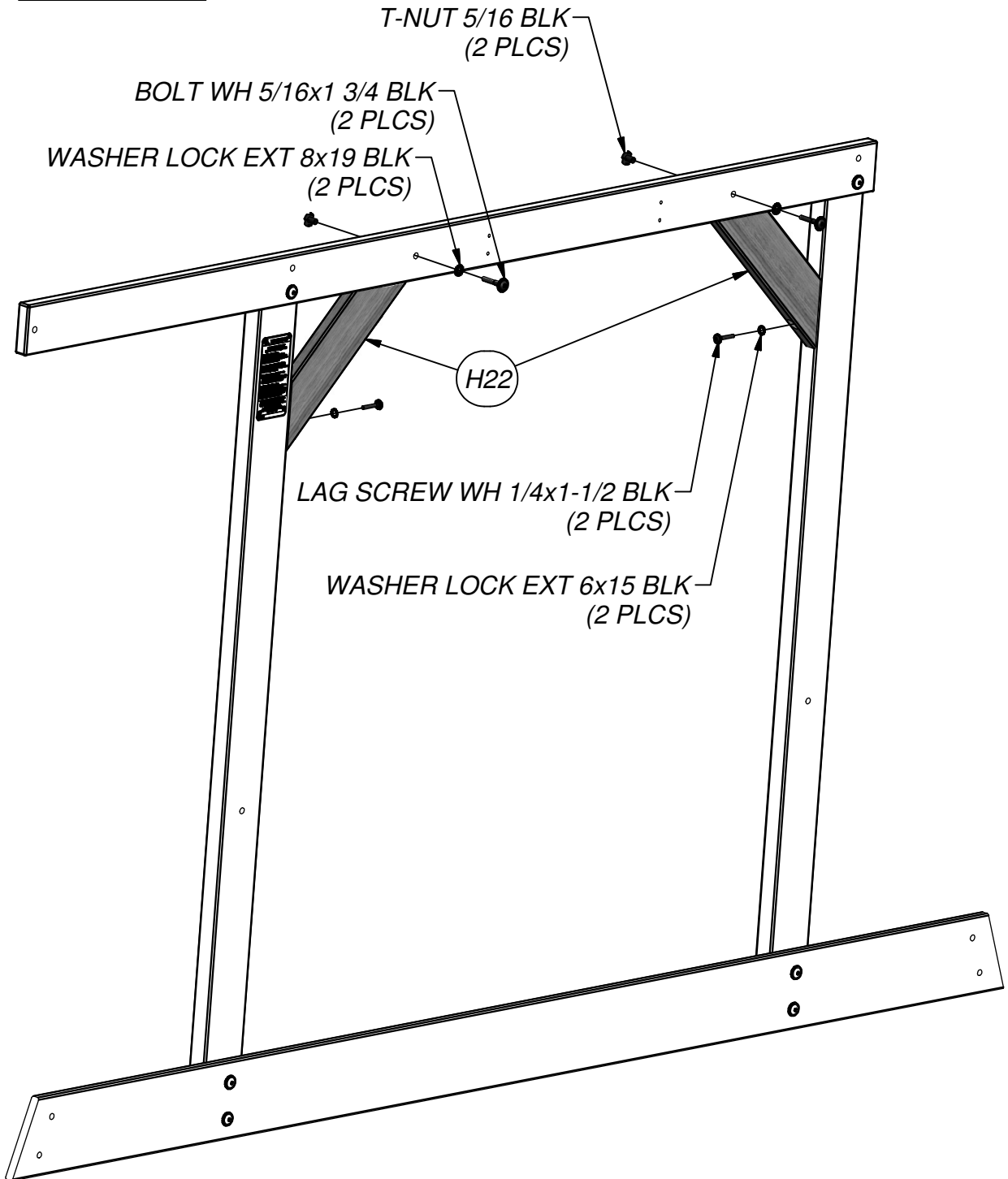
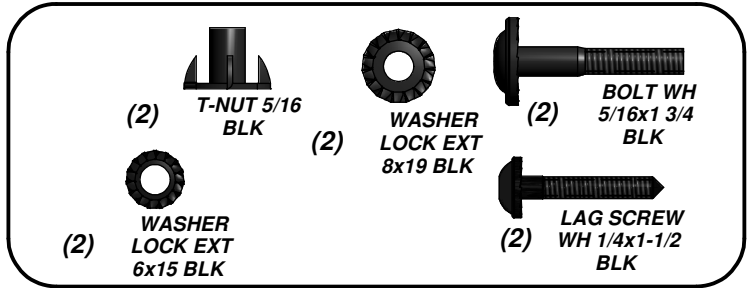
STEP 1





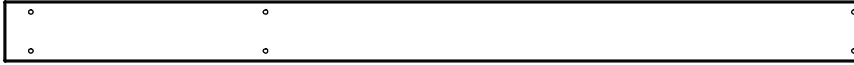
(2) **H22 - DECK BRACE - W4L06082**
 1"x3 3/8"x18 3/8" (24x86x466)

STEP 2



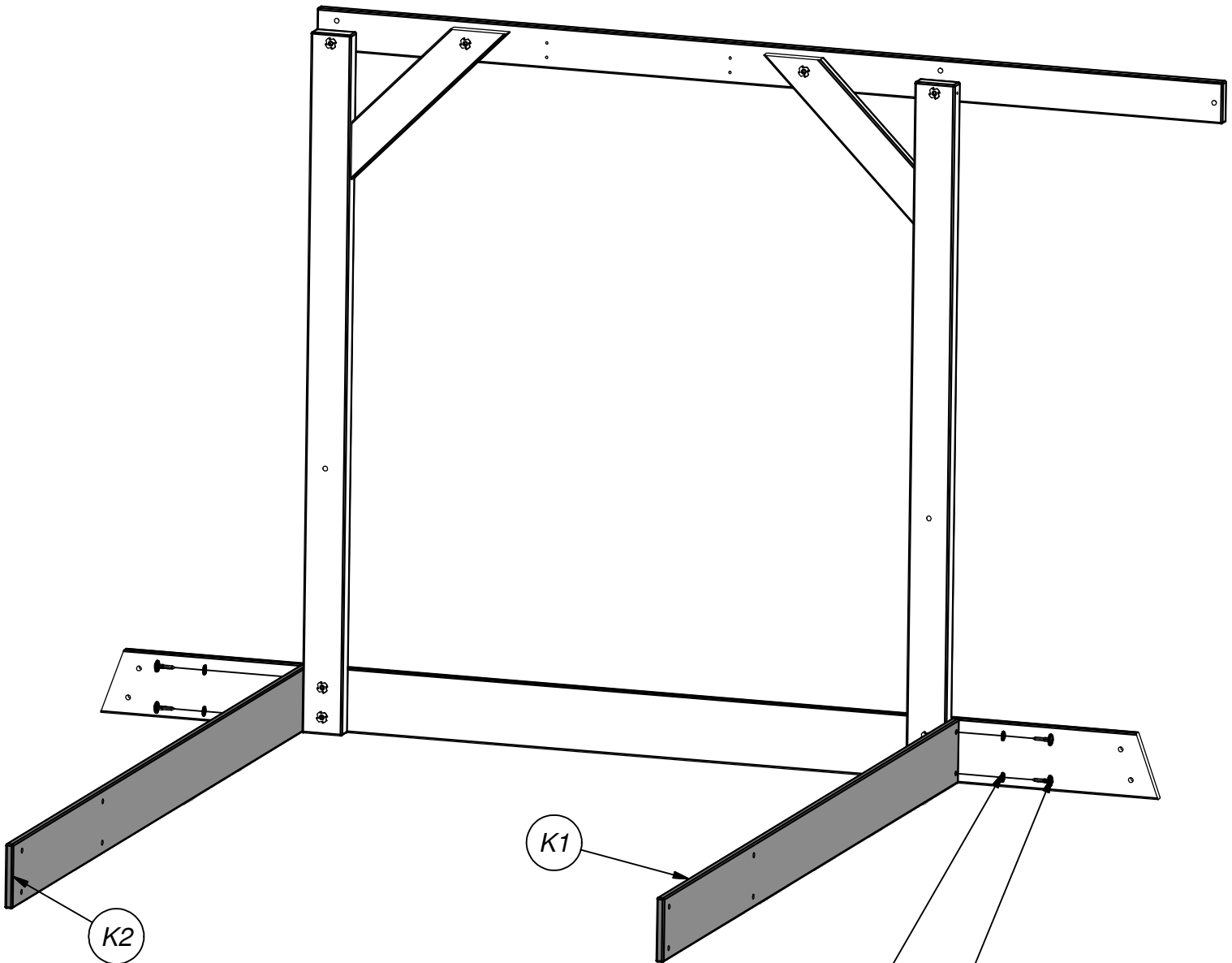
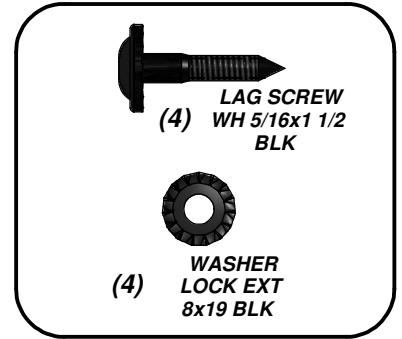


(1) **K1 - GROUND BOARD - W4L06052**
5/8"x5 1/4"x74 1/2" (16x134x1893)



(1) **K2 - GROUND BOARD - W4L06056**
5/8"x5 1/4"x74 1/2" (16x134x1893)

STEP 3



WASHER LOCK EXT 8x19 BLK
(4 PLCS)

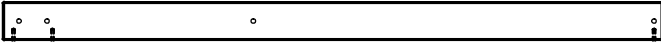
LAG SCREW WH 5/16x1 1/2 BLK
(4 PLCS)



(1) **E8 - UPRIGHT - W4L06058**
1 3/8"x3 3/8"x57 3/8" (36x86x1457)

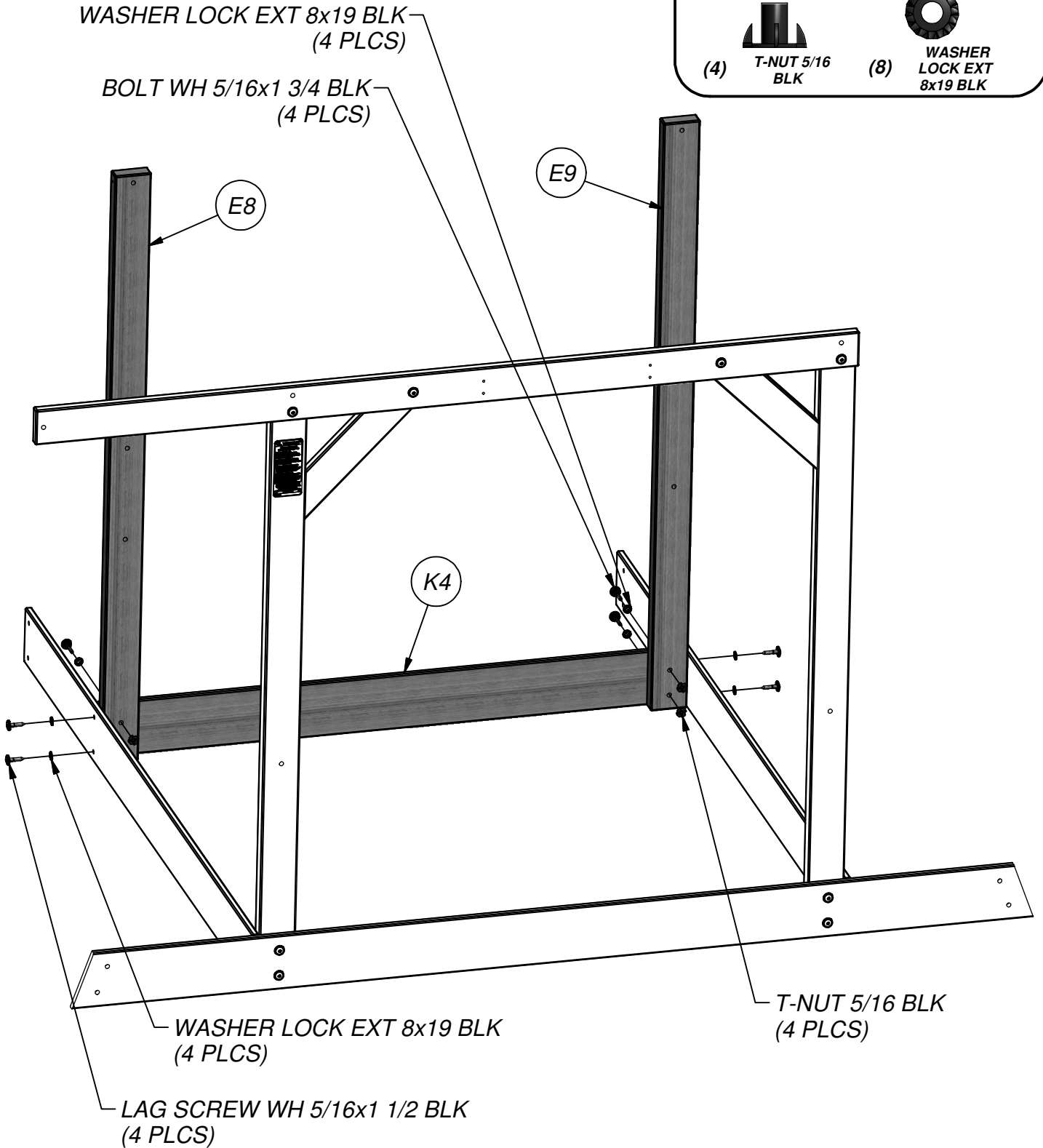
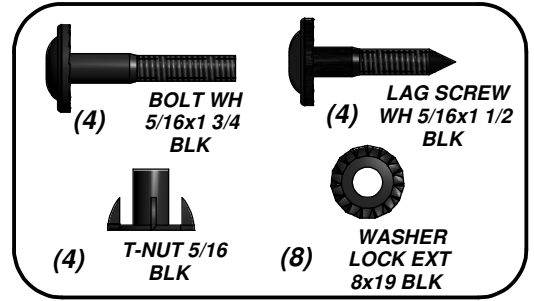


(1) **K4 - GROUND BOARD - W4L06049**
5/8"x5 1/4"x54 1/2" (16x134x1384)



(1) **E9 - UPRIGHT - W4L06061**
1 3/8"x3 3/8"x57 3/8" (36x86x1457)

STEP 4



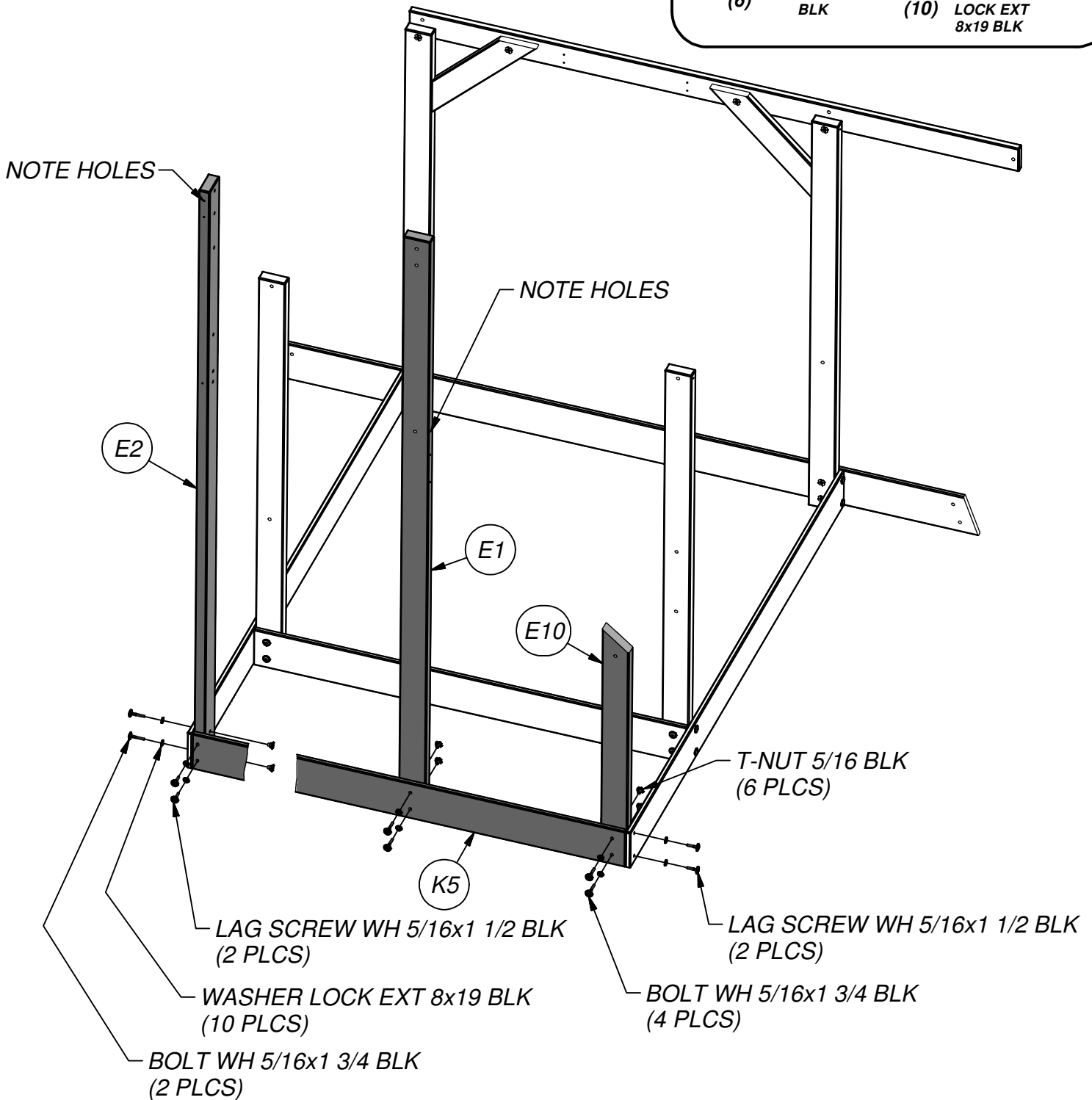
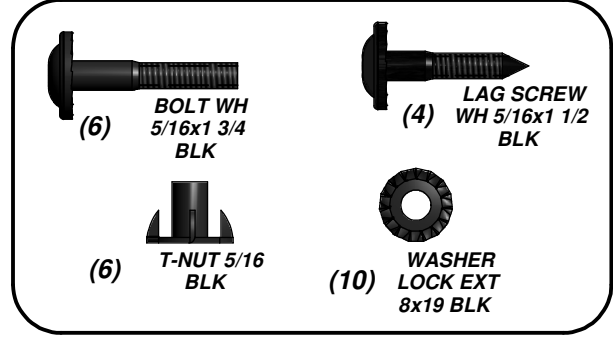
(1) E2 - UPRIGHT - W4L06057
1 3/8"x3 3/8"x86 1/8" (36x86x2186)

(1) E10 - UPRIGHT - W4L06053
1 3/8"x3 3/8"x34 1/4" (36x86x869)

(1) E1 - UPRIGHT - W4L06055
1 3/8"x3 3/8"x86 1/8" (36x86x2186)

(1) K5 - GROUND BOARD - W4L06054
5/8"x5 1/4"x54 1/2" (16x134x1384)

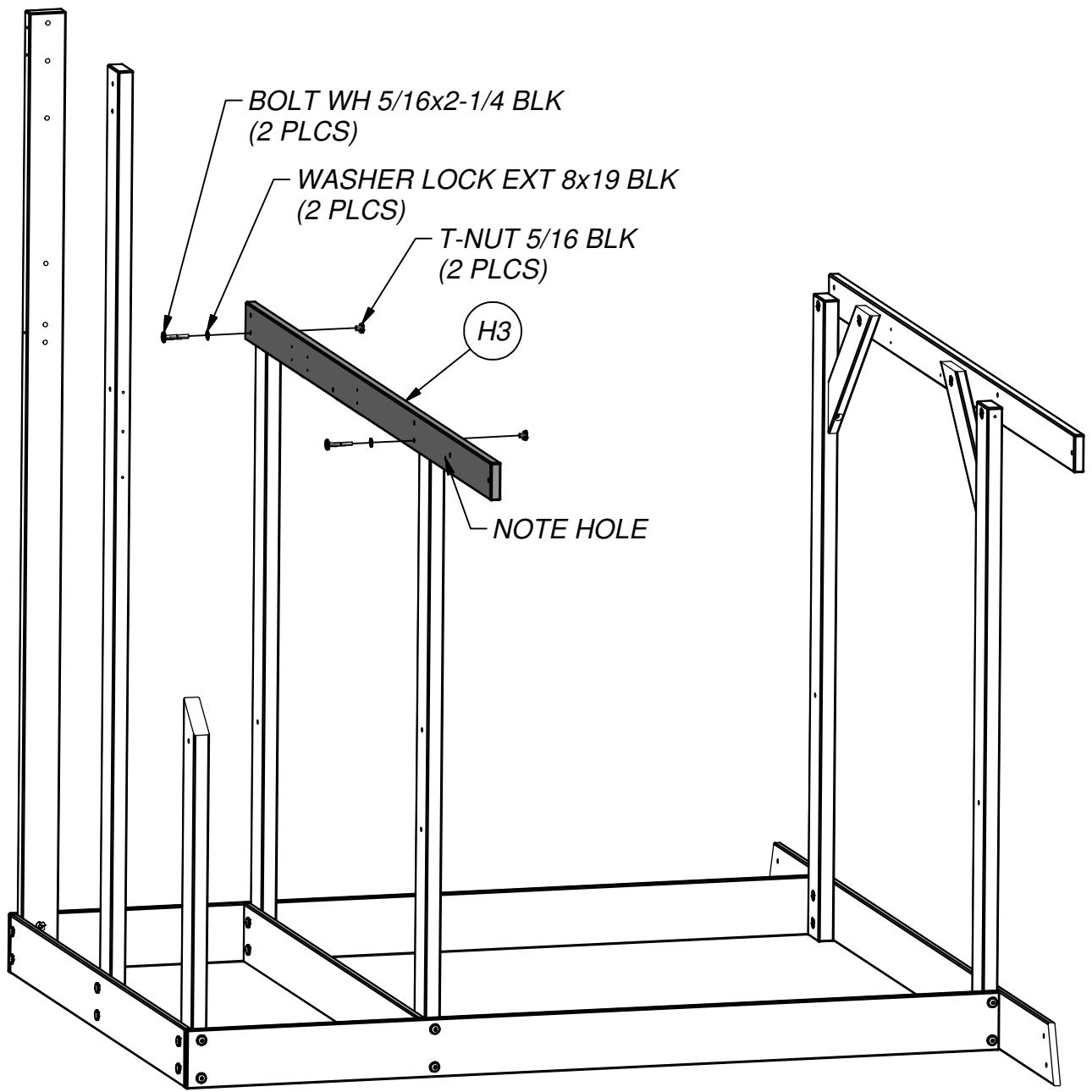
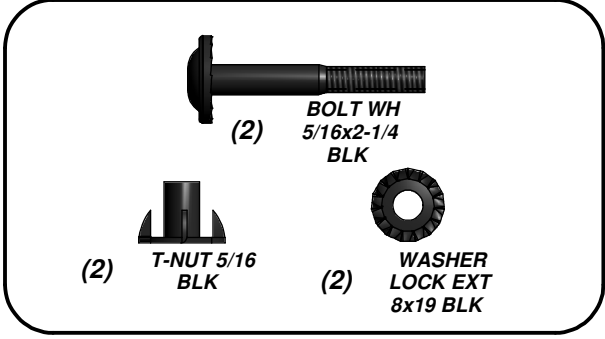
STEP 5

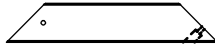




(1) **H3 - FLOOR SUPPORT - W4L06083**
1"x3 3/8"x76 3/4" (24x86x1948)

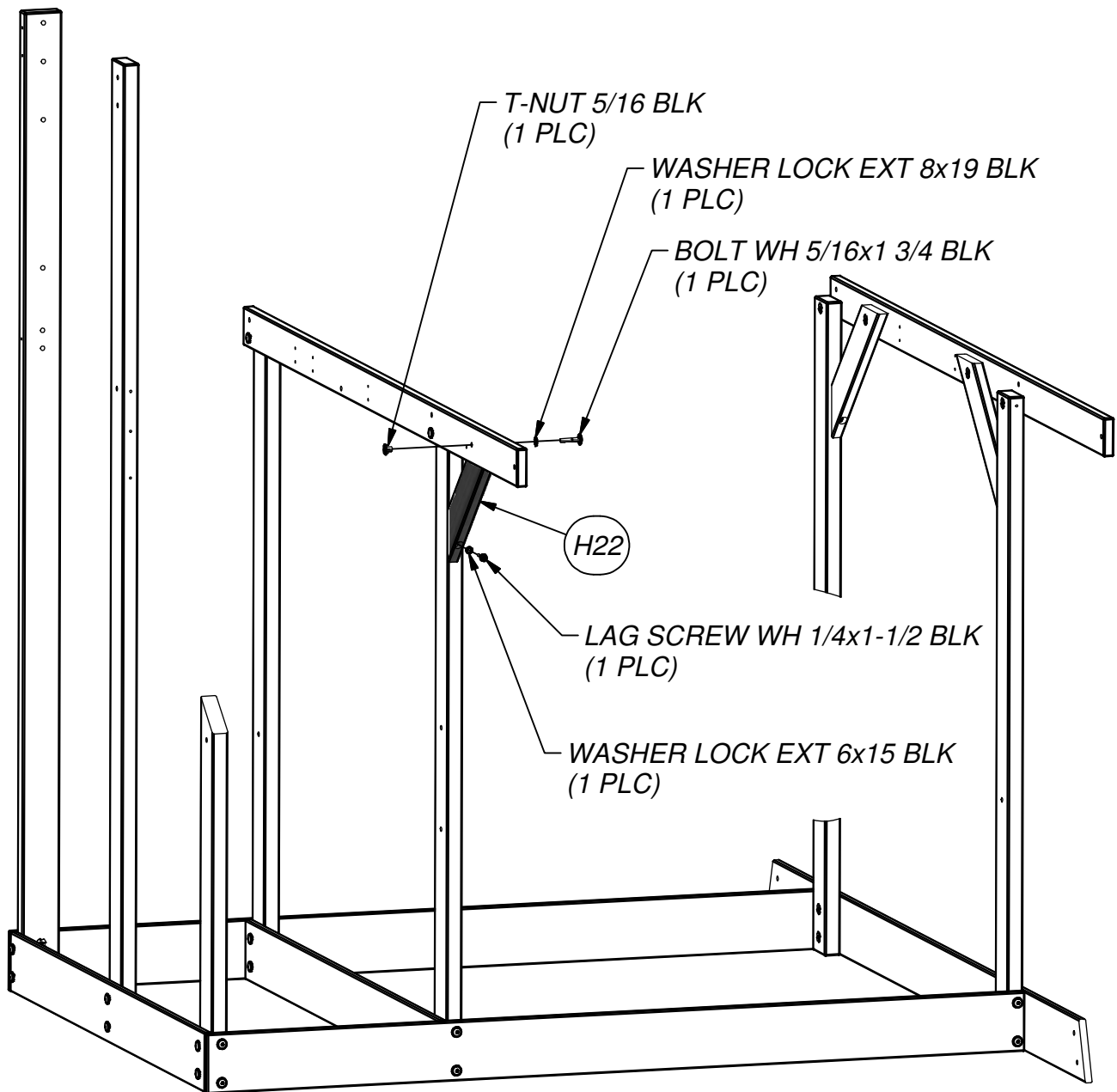
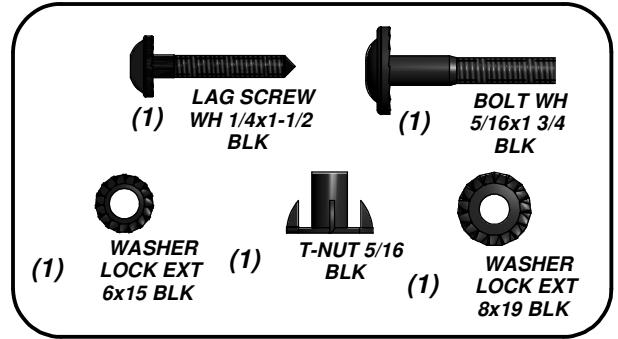
STEP 6

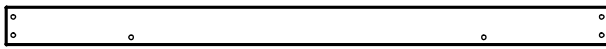




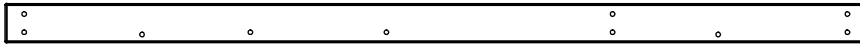
(1) **H22 - DECK BRACE - W4L06082**
1"x3 3/8"x18 3/8" (24x86x466)

STEP 7

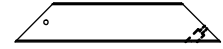




(1) H10 - FLOOR SUPPORT - W4L06062
1"x3 3/8"x52 1/2" (24x86x1334)

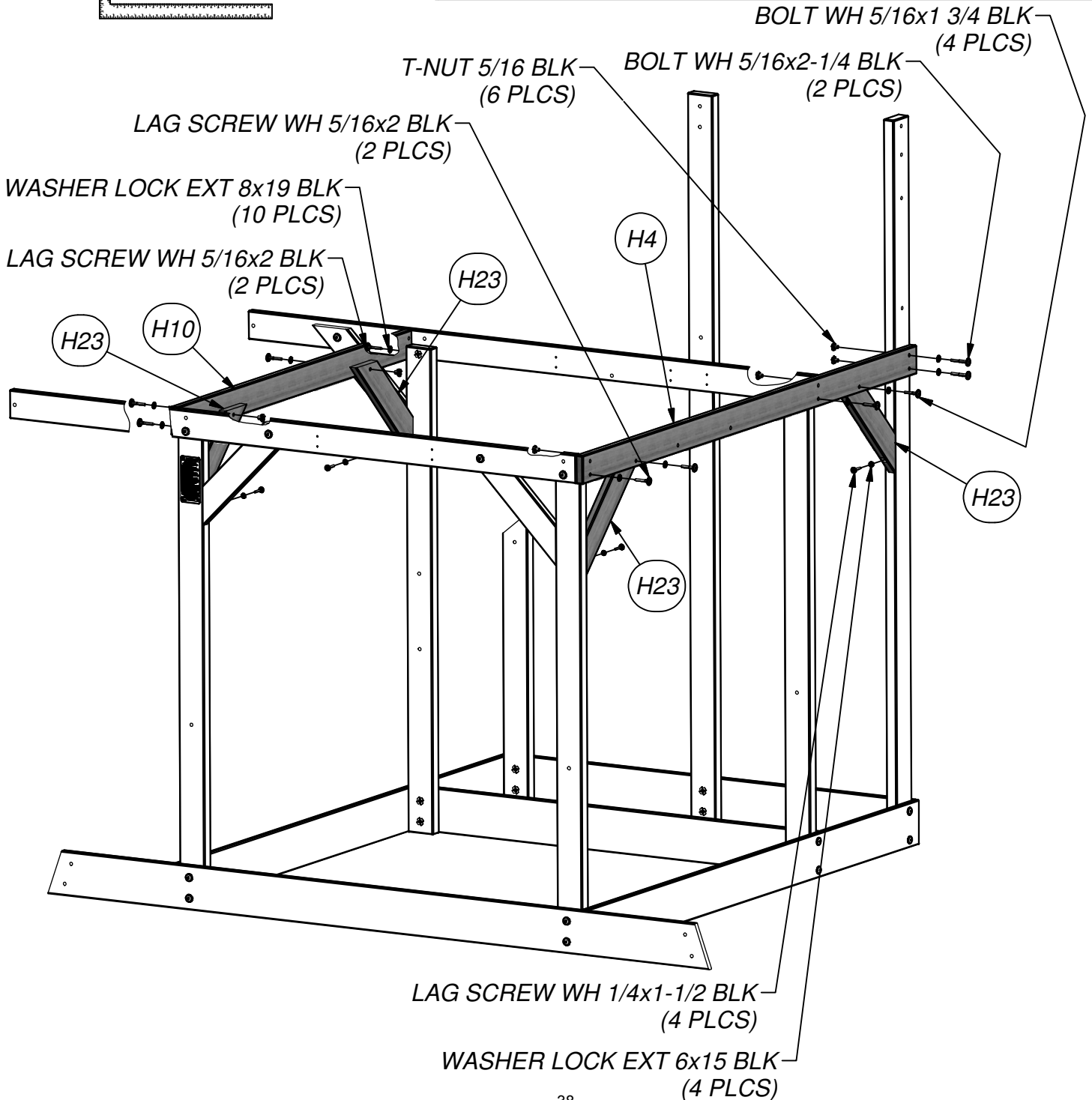
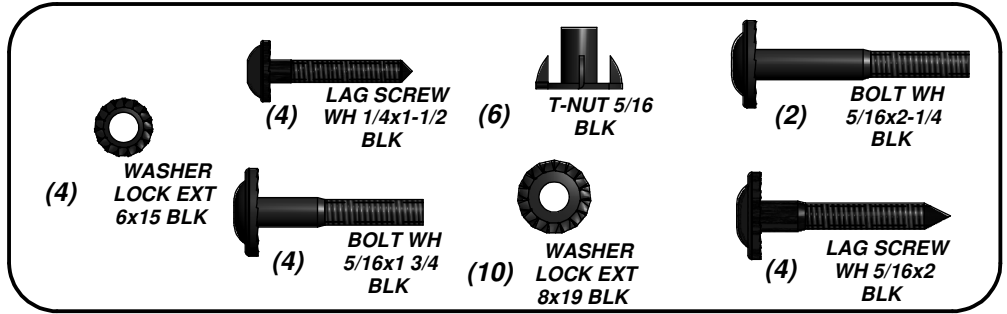


(1) H4 - FLOOR SUPPORT - W4L06063
1"x3 3/8"x74 7/8" (24x86x1901)



(4) H23 - DECK BRACE - W4L06179
1"x3 3/8"x17 7/8" (24x86x453)

STEP 8



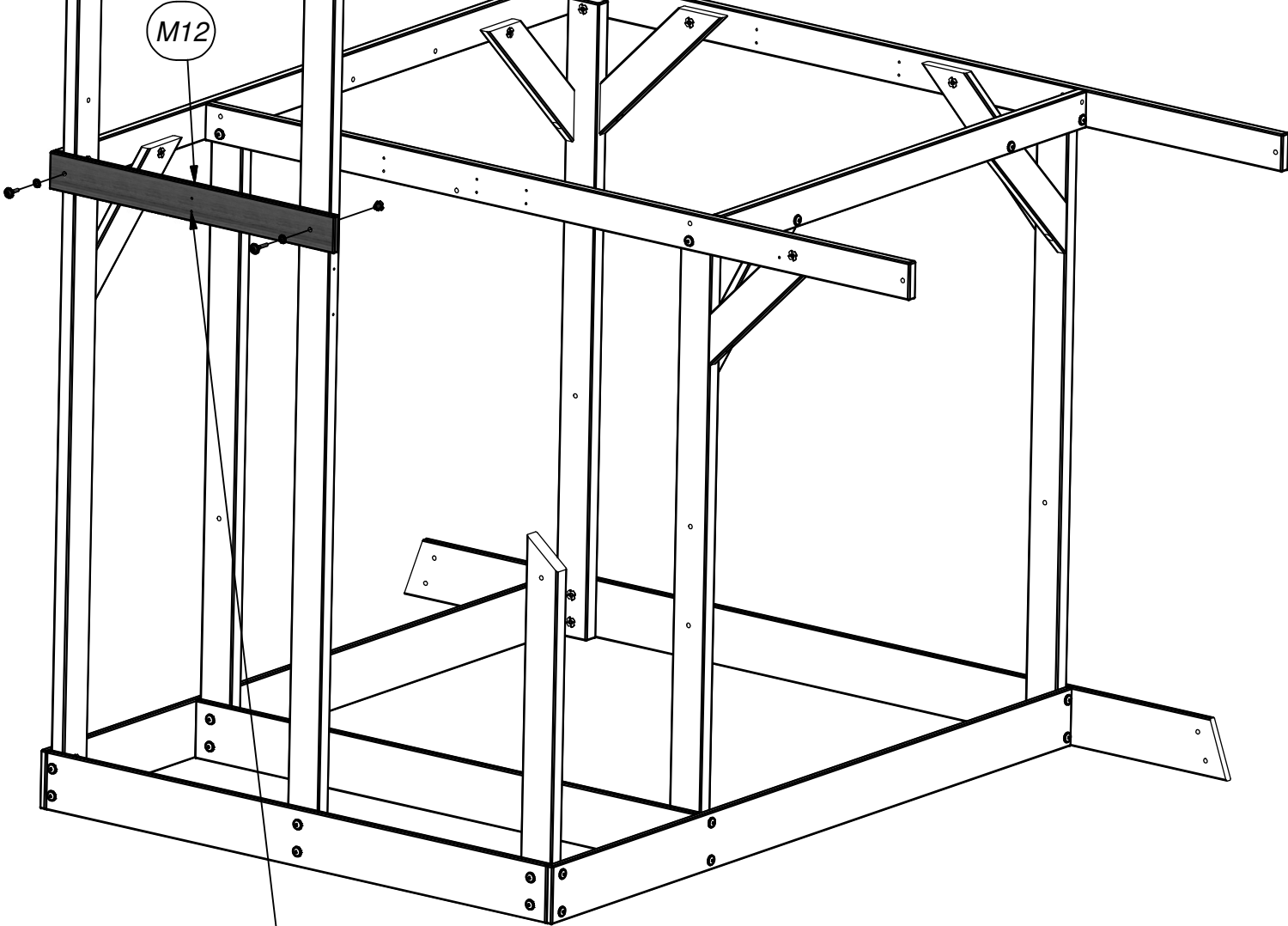
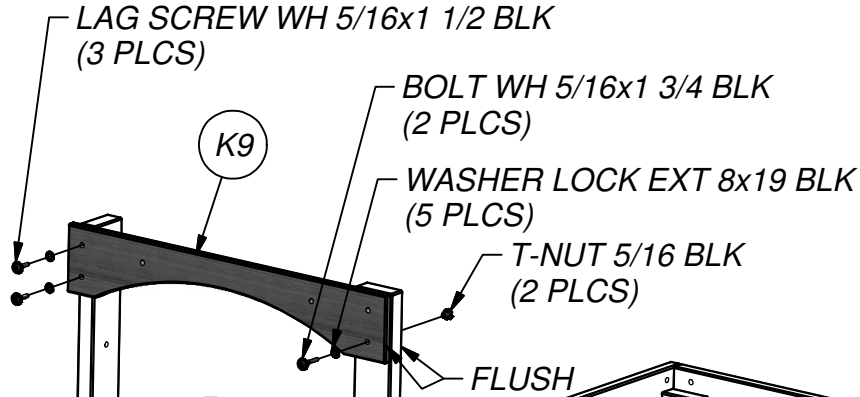
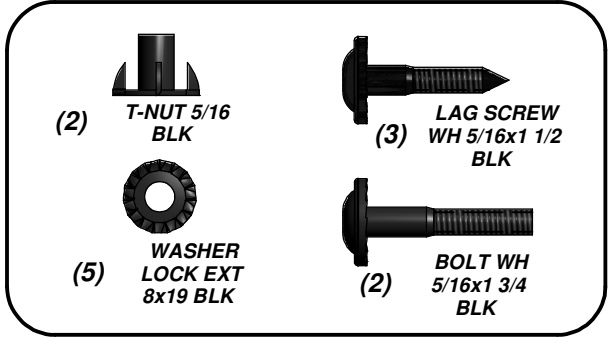


(1) **K9 - ARCHED RAIL - W4L06124**
5/8"x5 1/4"x29 3/4" (16x134x756)



(1) **M12 - WALL RAIL - W4L06121**
5/8"x3 3/8"x31" (16x86x788)

STEP 9



HOLES TOWARD BOTTOM



(2) J2 - FLOOR JOIST - W4L06068
1"x2 3/8"x52 1/2" (24x60x1334)

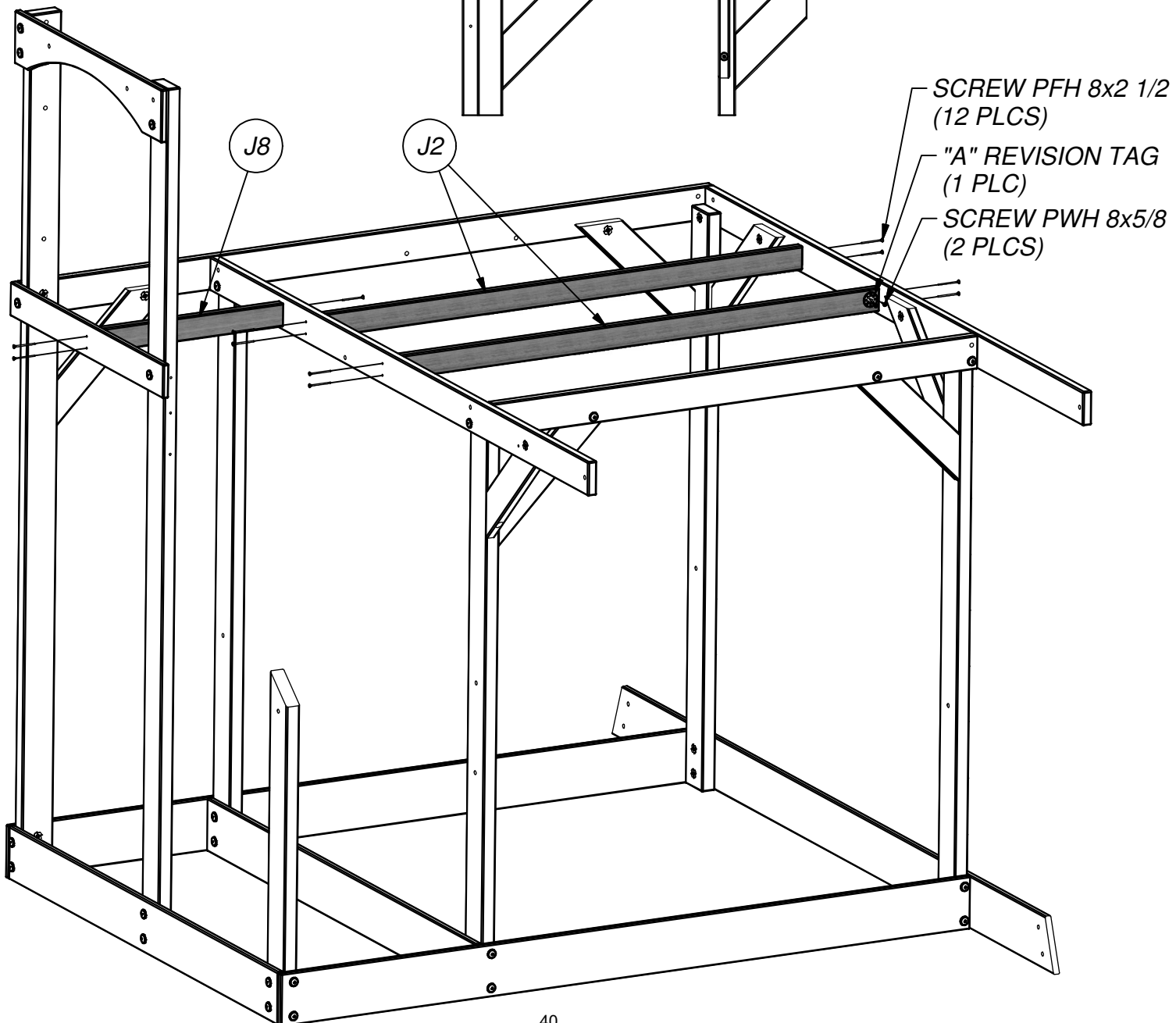
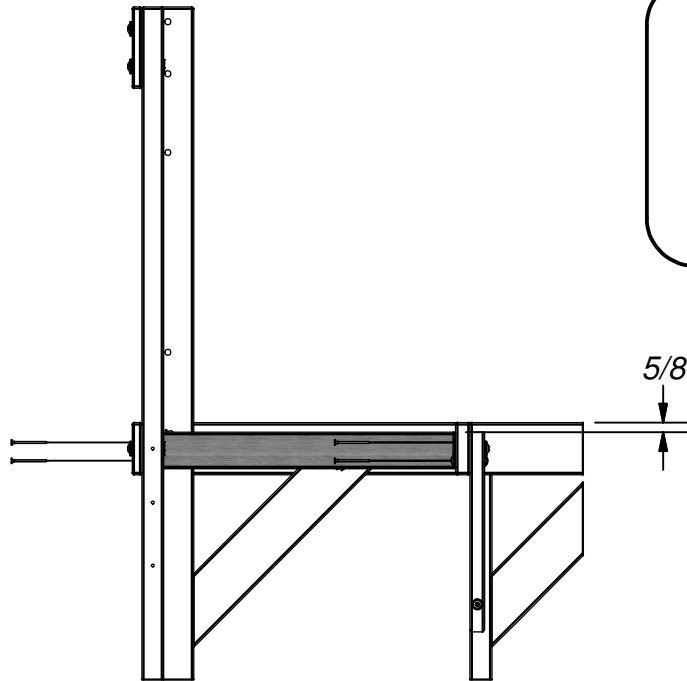
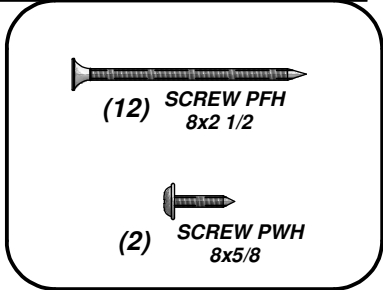


(1) SQ - "A" REVISION TAG - A100314



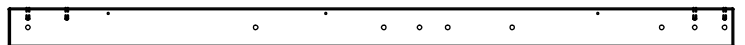
(1) J8 - FLOOR JOIST - W4L06134
1"x2 3/8"x20 3/8" (24x60x519)

STEP 10

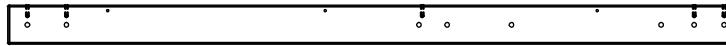




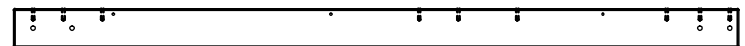
(1) **E4 - UPRIGHT - W4L06085**
1 3/8"x3 3/8"x63" (36x86x1600)



(1) **E3 - UPRIGHT - W4L06069**
1 3/8"x3 3/8"x63" (36x86x1600)

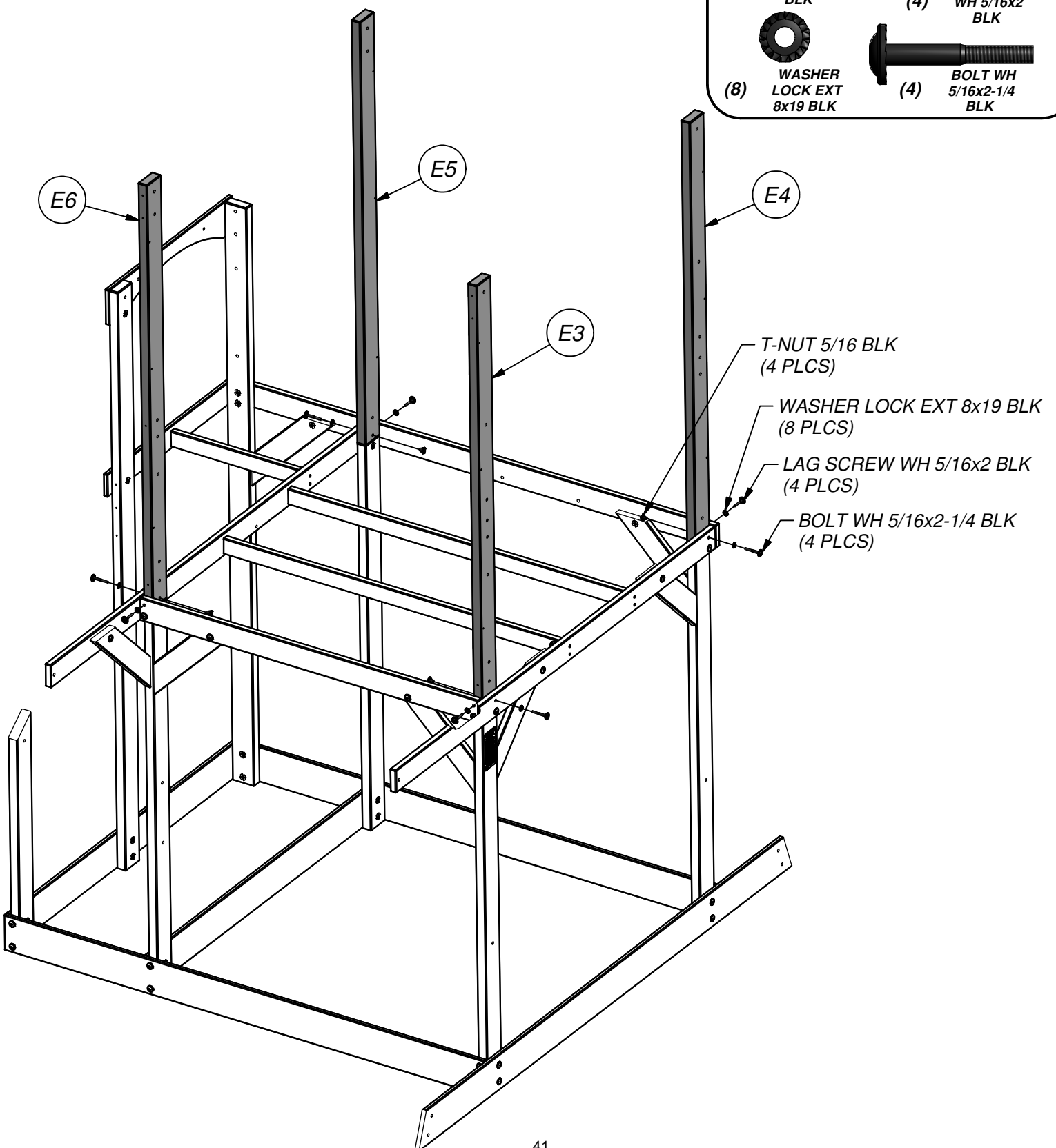
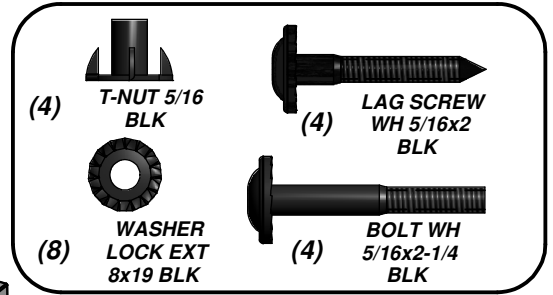


(1) **E6 - UPRIGHT - W4L06091**
1 3/8"x3 3/8"x63" (36x86x1600)



(1) **E5 - UPRIGHT - W4L06090**
1 3/8"x3 3/8"x63" (36x86x1600)

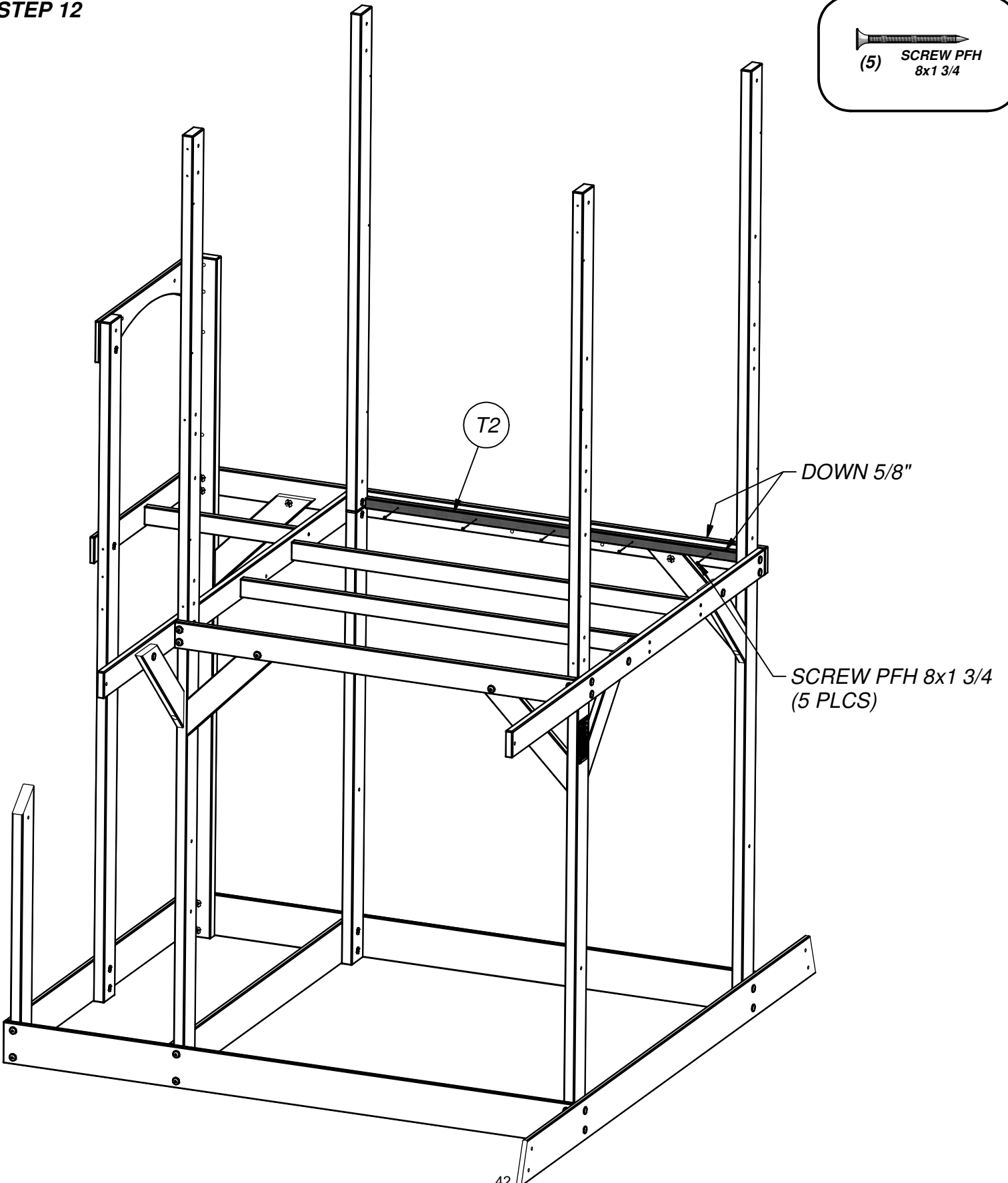
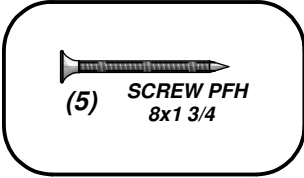
STEP 11





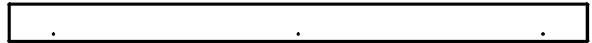
(1) T2 - SUPPORT BOARD - W4L06065
1"x1 3/8"x49 5/8" (24x34x1260)

STEP 12



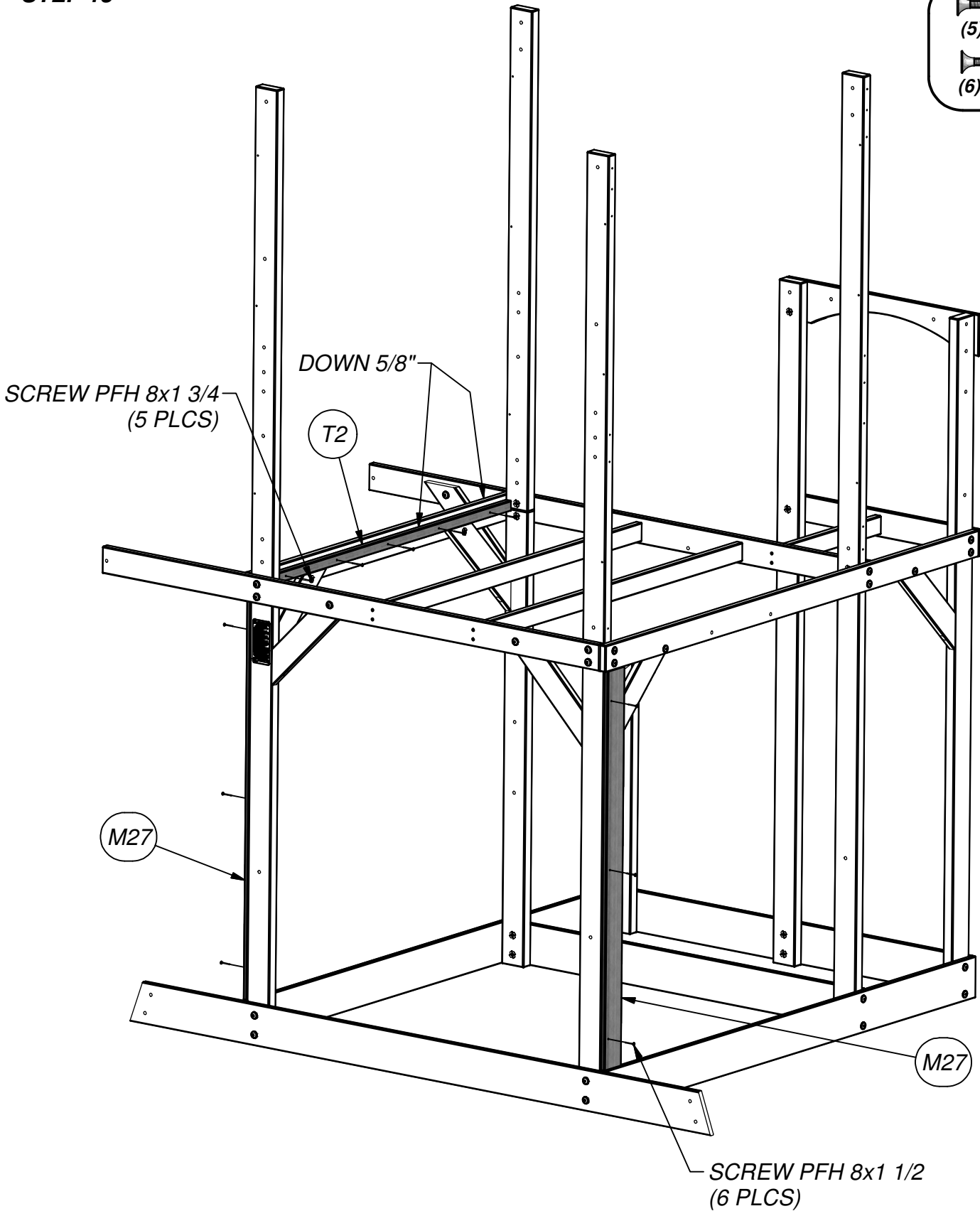
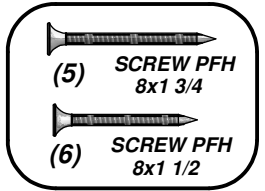


(1) **T2 - SUPPORT BOARD - W4L06065**
 1"x1 3/8"x49 5/8" (24x34x1260)



(2) **M27 - CORNER BOARD - W4L06147**
 5/8"x3 3/8"x50 3/8" (16x86x1280)

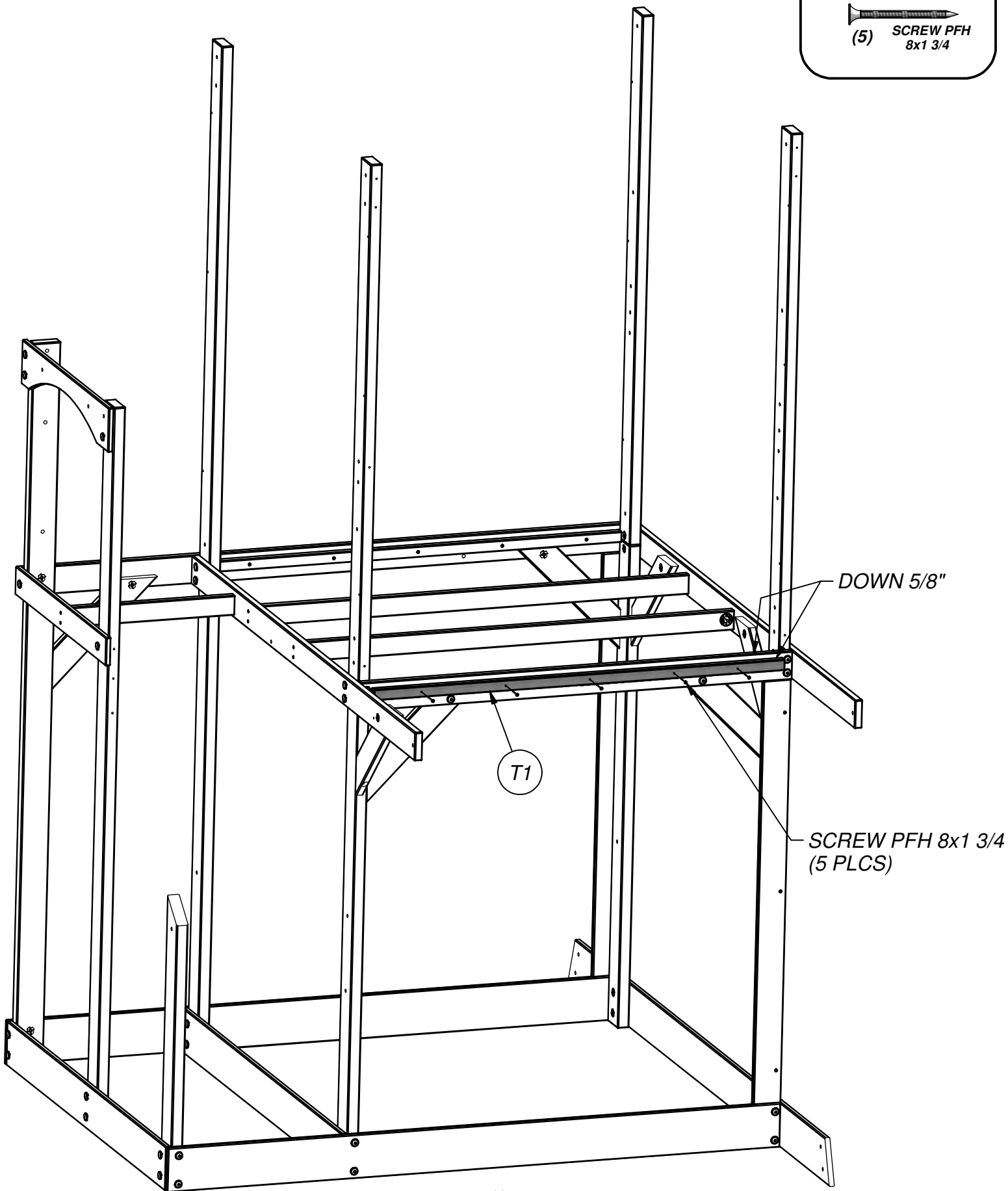
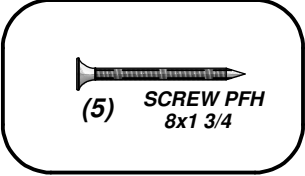
STEP 13

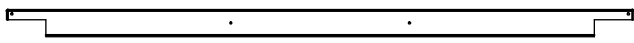




(1) T1 - SUPPORT BOARD - W4L06075
1"x1 3/8"x50" (24x34x1270)

STEP 14



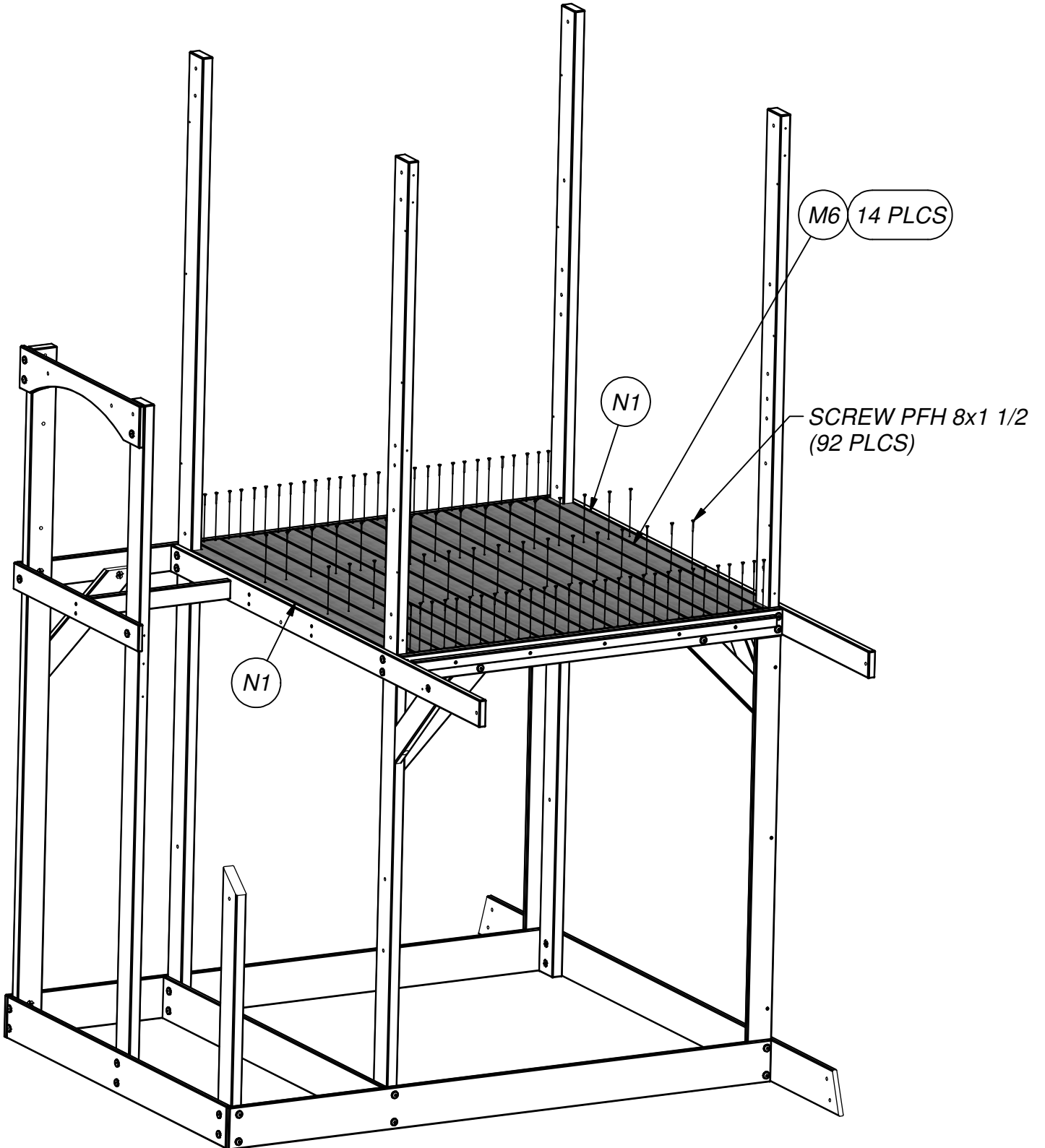
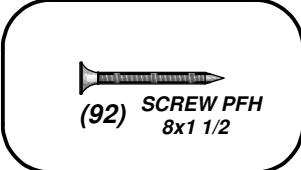


(2) **N1 - FLOOR BOARD - W4L06067**
 5/8"x2 3/8"x54 1/2" (16x60x1384)



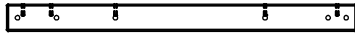
(14) **M6 - FLOOR BOARD - W4L06066**
 5/8"x3 3/8"x54 1/2" (16x86x1384)

STEP 15

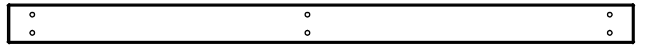




(1) **F4 - POST - W4L06093**
1 3/8"x2 3/8"x30 3/8" (36x60x772)

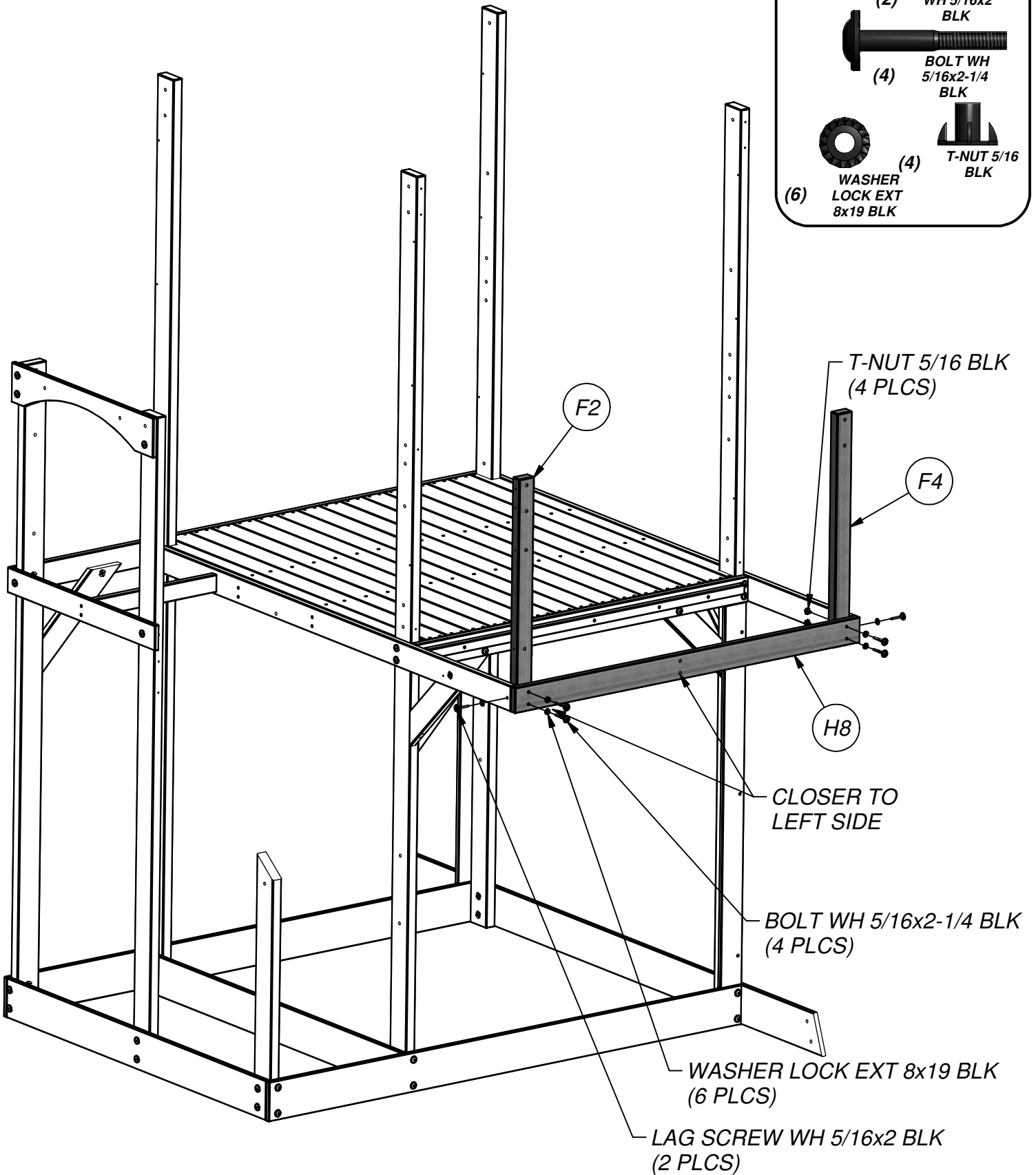
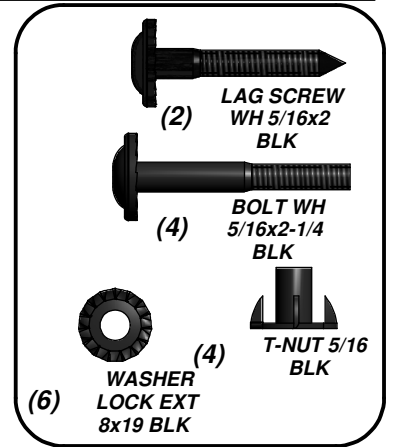


(1) **F2 - POST - W4L06070**
1 3/8"x2 3/8"x30 3/8" (36x60x772)



(1) **H8 - FLOOR SUPPORT - W4L06079**
1"x3 3/8"x54 3/8" (24x86x1382)

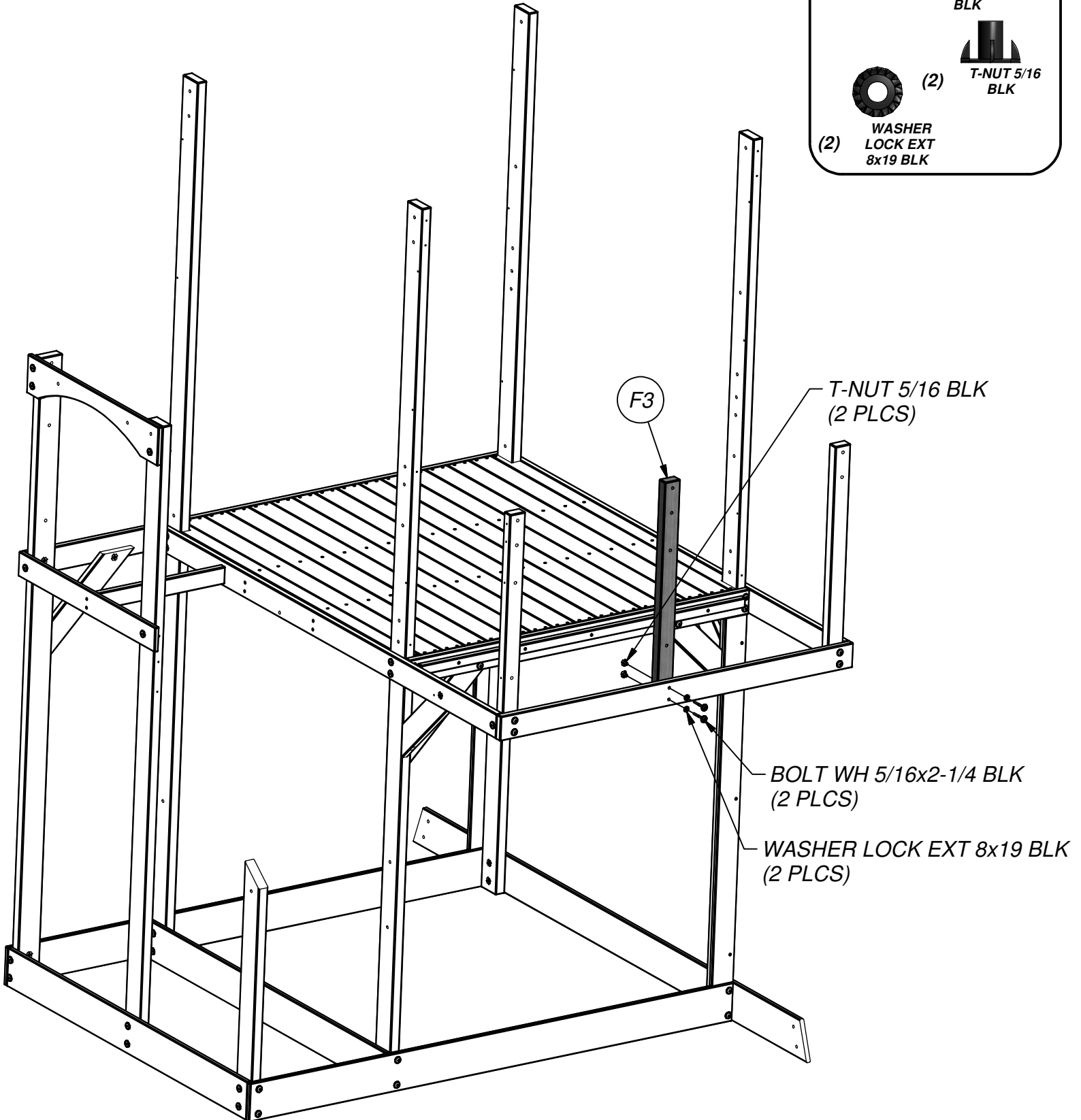
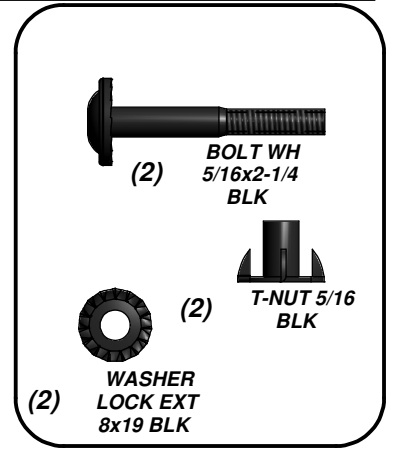
STEP 16





(1) **F3 - POST - W4L06074**
1 3/8"x2 3/8"x30 3/8" (36x60x772)

STEP 17

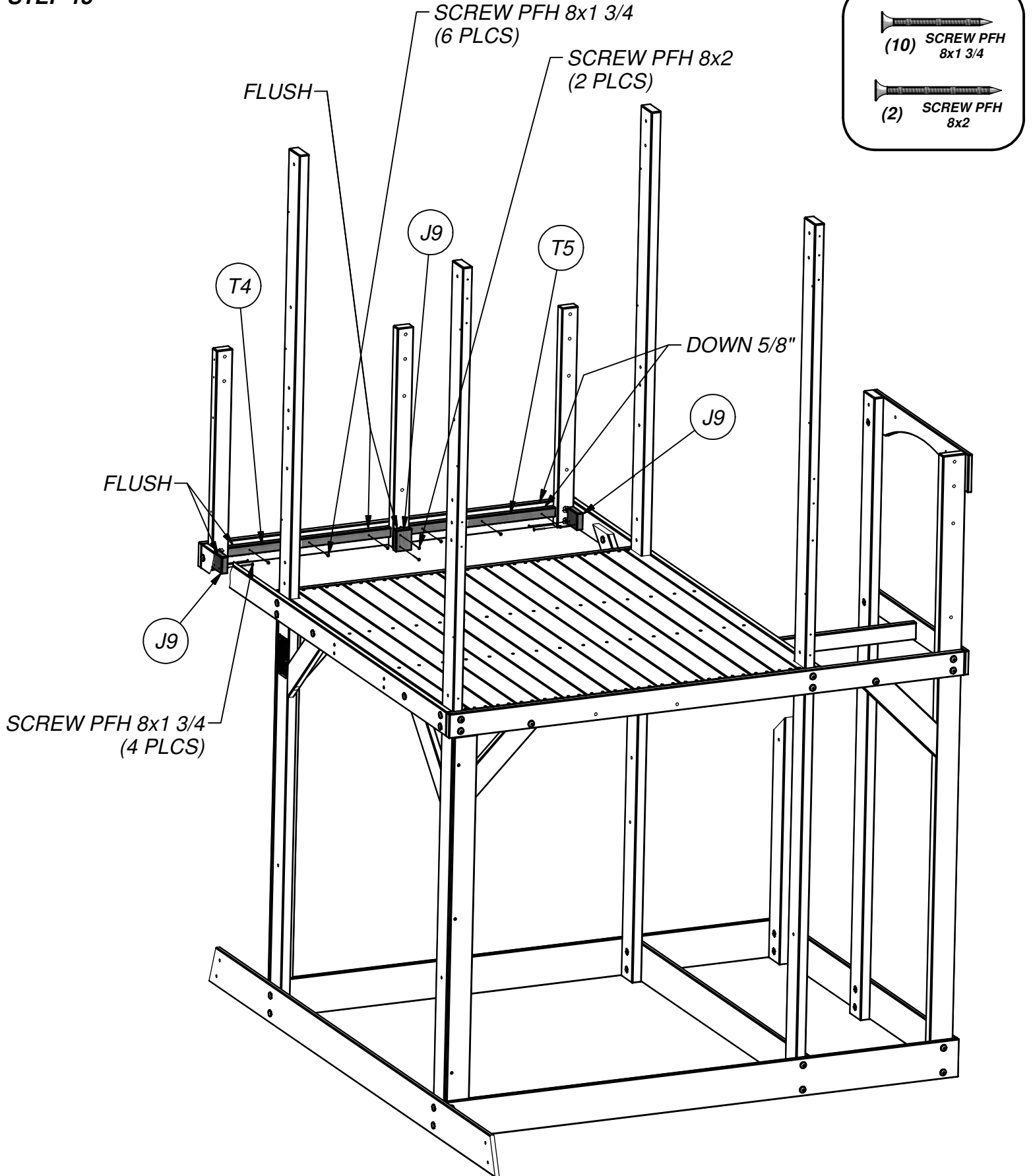


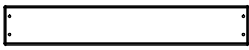
(1) **T4 - SUPPORT BOARD - W4L06077**
1"x1 3/8"x23 7/8" (24x34x606)

(1) **T5 - SUPPORT BOARD - W4L06076**
1"x1 3/8"x21 1/2" (24x34x546)

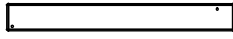
(3) **J9 - SUPPORT BOARD - W4L06064**
1"x2 3/8"x3" (24x60x76)

STEP 18





(7) **M21 - FLOOR BOARD - W4L06080**
5/8"x3 3/8"x21 1/4" (16x86x540)



(1) **N3 - FLOOR BOARD - W4L06078**
5/8"x2 3/8"x19 3/4" (16x60x502)

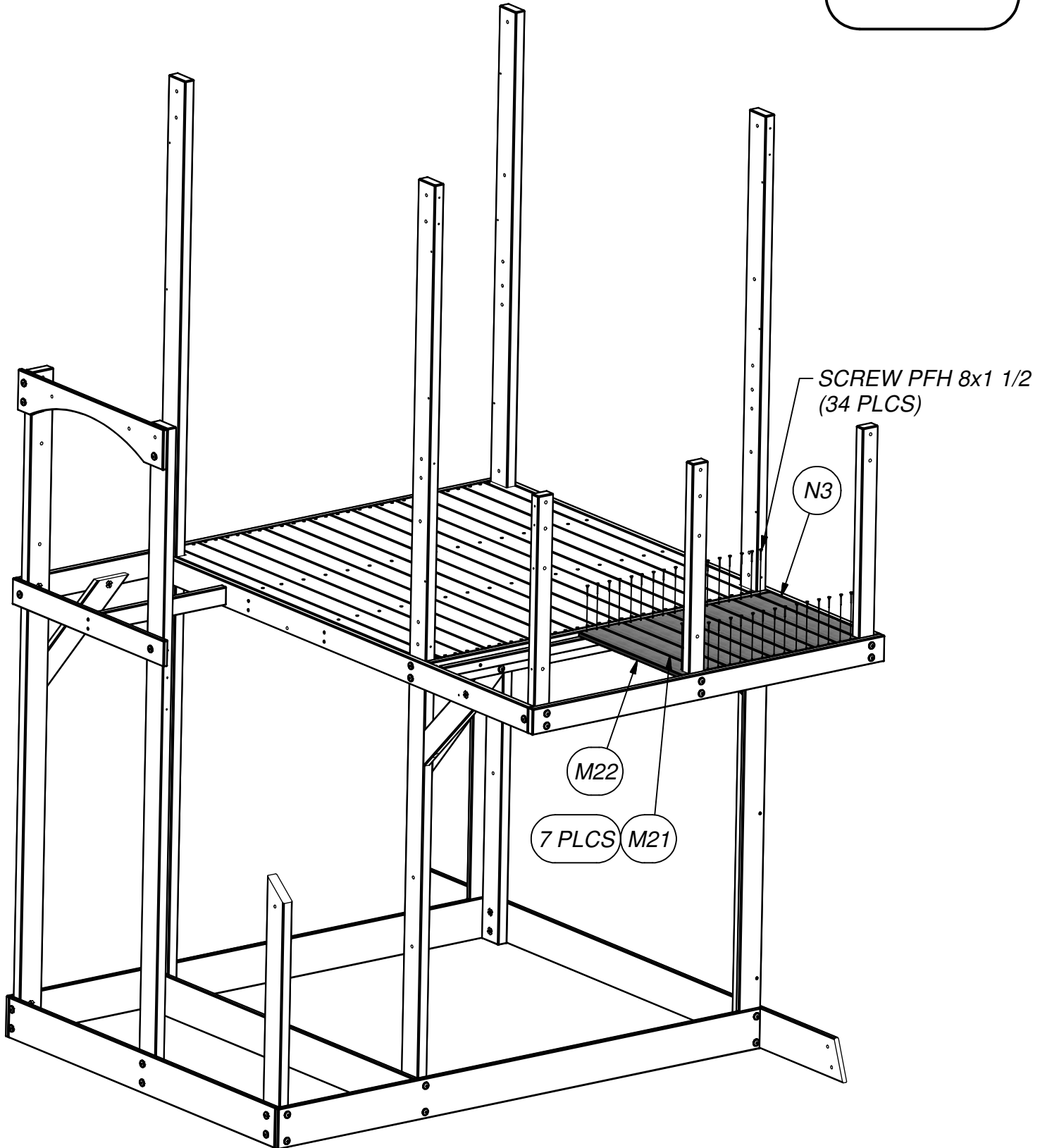


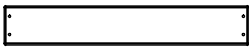
(1) **M22 - FLOOR BOARD - W4L06081**
5/8"x3 3/8"x21 1/4" (16x86x540)

STEP 19

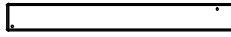


(34) **SCREW PFH**
8x1 1/2





(6) **M21 - FLOOR BOARD - W4L06080**
 5/8"x3 3/8"x21 1/4" (16x86x540)

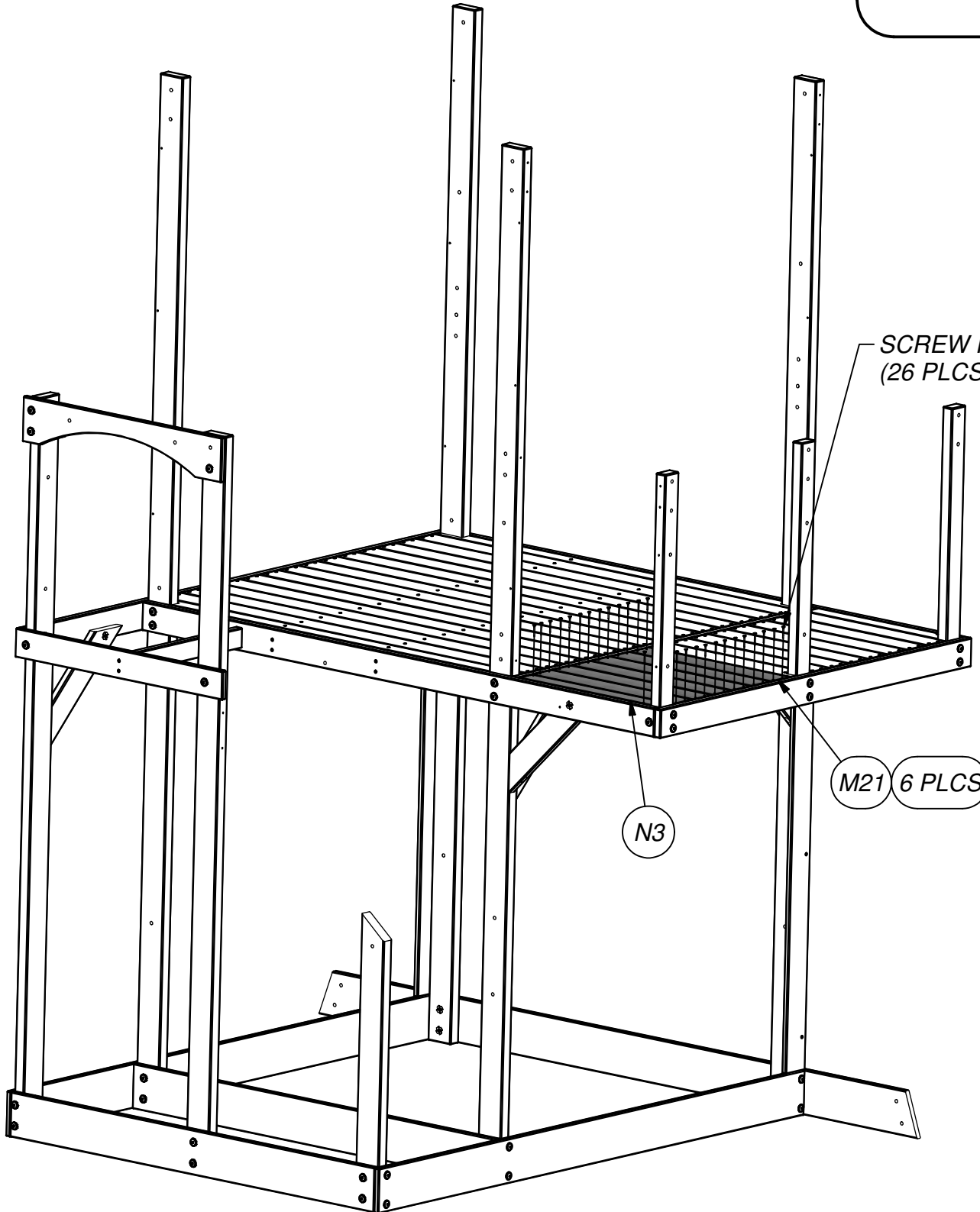


(1) **N3 - FLOOR BOARD - W4L06078**
 5/8"x2 3/8"x19 3/4" (16x60x502)

STEP 20



(26) **SCREW PFH**
 8x1 1/2

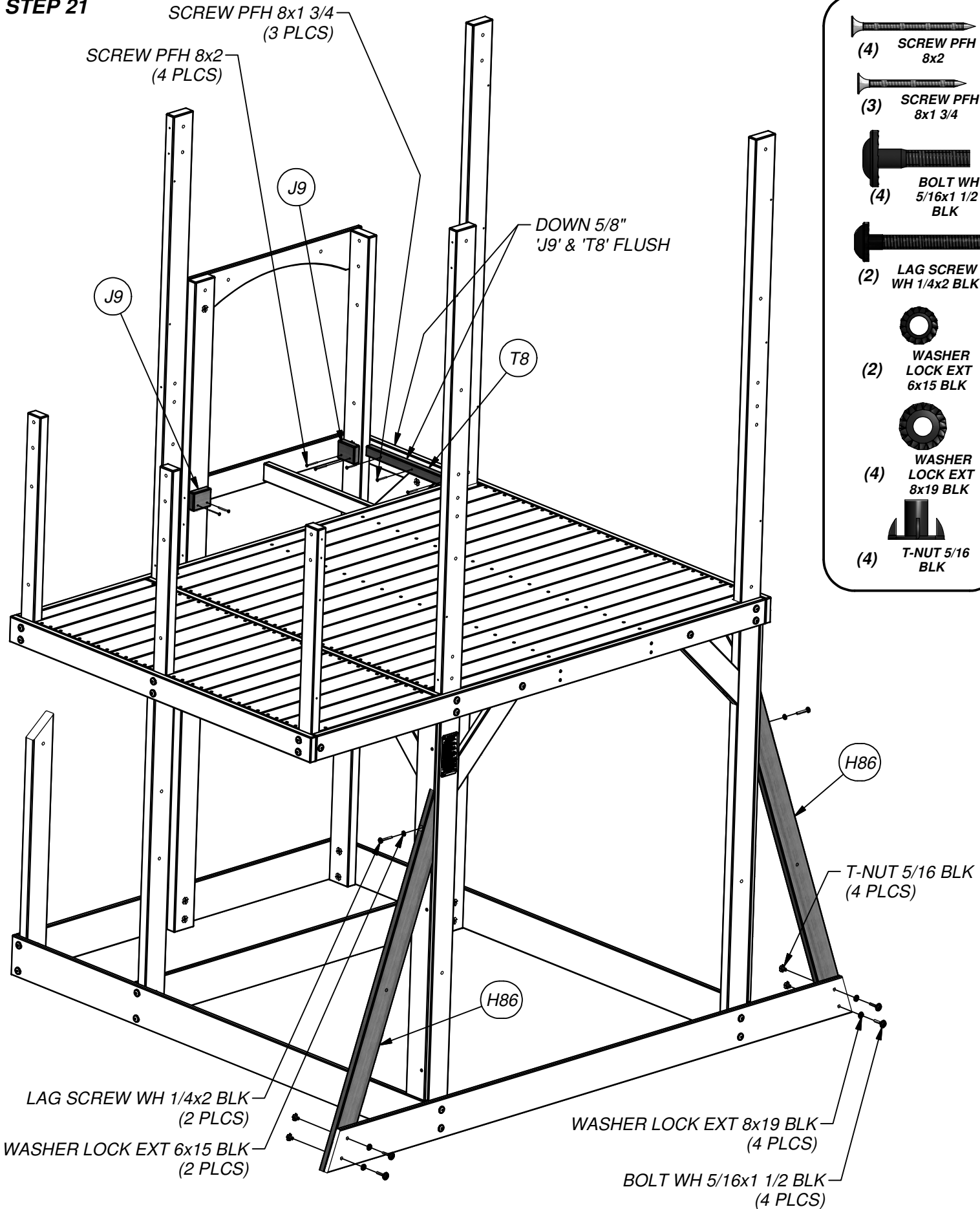


(2) H86 - ANGLE BRACE - W4L06186
1"x3 3/8"x49 3/8" (24x86x1254)

(2) J9 - SUPPORT BOARD - W4L06064
1"x2 3/8"x3" (24x60x76)

(1) T8 - SUPPORT BOARD - W4L06119
1"x1 3/8"x16 5/8" (24x34x423)

STEP 21



(4) SCREW PFH 8x2

(3) SCREW PFH 8x1 3/4

(4) BOLT WH 5/16x1 1/2 BLK

(2) LAG SCREW WH 1/4x2 BLK

(2) WASHER LOCK EXT 6x15 BLK

(4) WASHER LOCK EXT 8x19 BLK

(4) T-NUT 5/16 BLK

H86

H86

T-NUT 5/16 BLK (4 PLCS)

LAG SCREW WH 1/4x2 BLK (2 PLCS)

WASHER LOCK EXT 6x15 BLK (2 PLCS)

WASHER LOCK EXT 8x19 BLK (4 PLCS)

BOLT WH 5/16x1 1/2 BLK (4 PLCS)

SCREW PFH 8x1 3/4 (3 PLCS)

SCREW PFH 8x2 (4 PLCS)

DOWN 5/8" J9 & T8 FLUSH

J9

J9

T8

H86



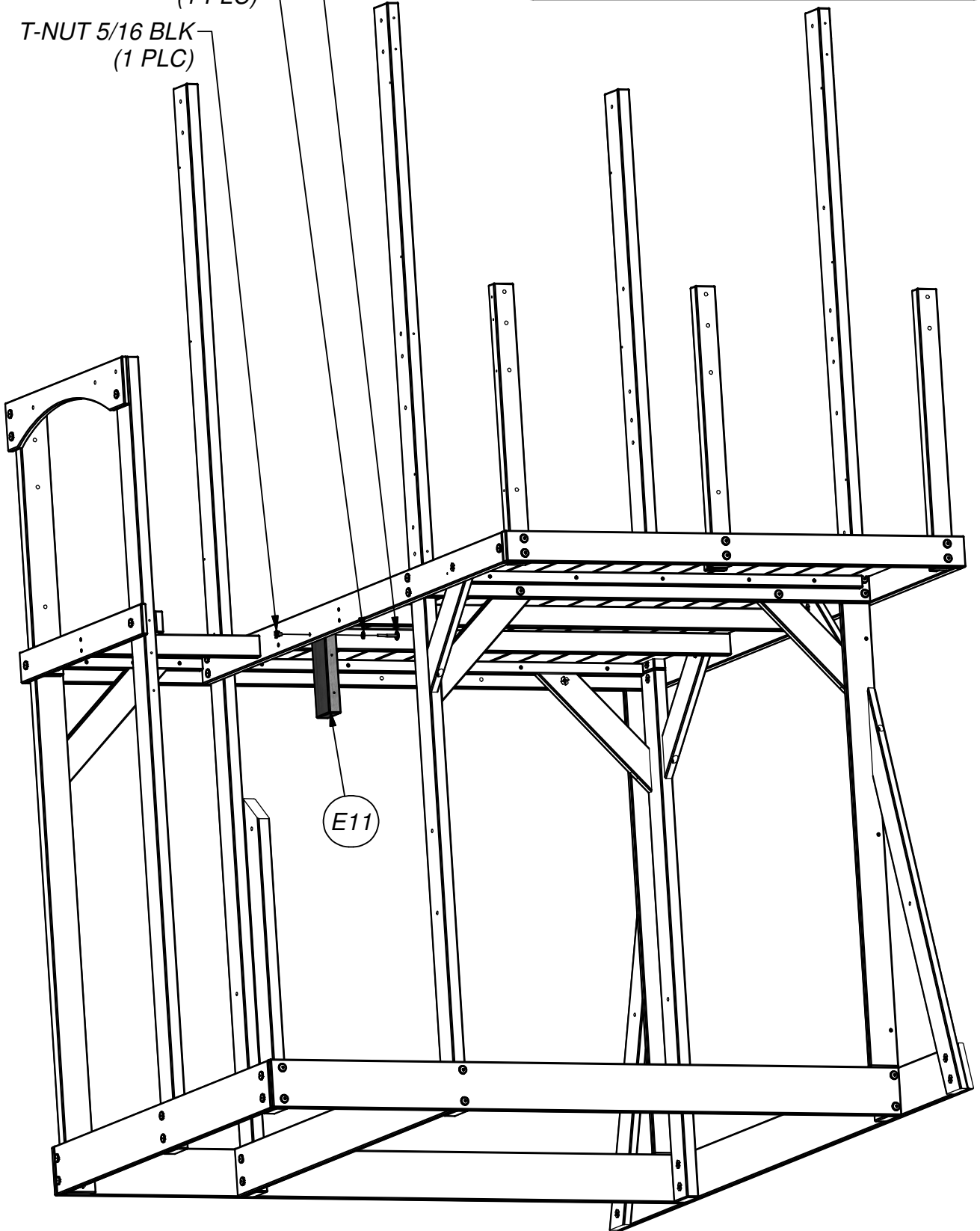
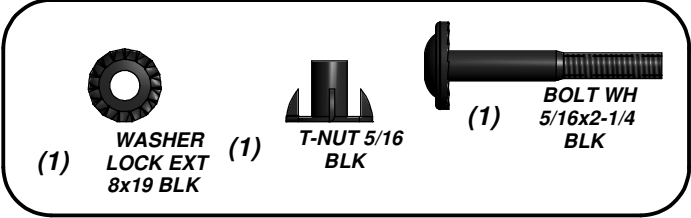
(1) E11 - UPRIGHT - W4L06127
 1 3/8"x3 3/8"x10 7/8" (36x86x275)

STEP 22

BOLT WH 5/16x2-1/4 BLK
 (1 PLC)

WASHER LOCK EXT 8x19 BLK
 (1 PLC)

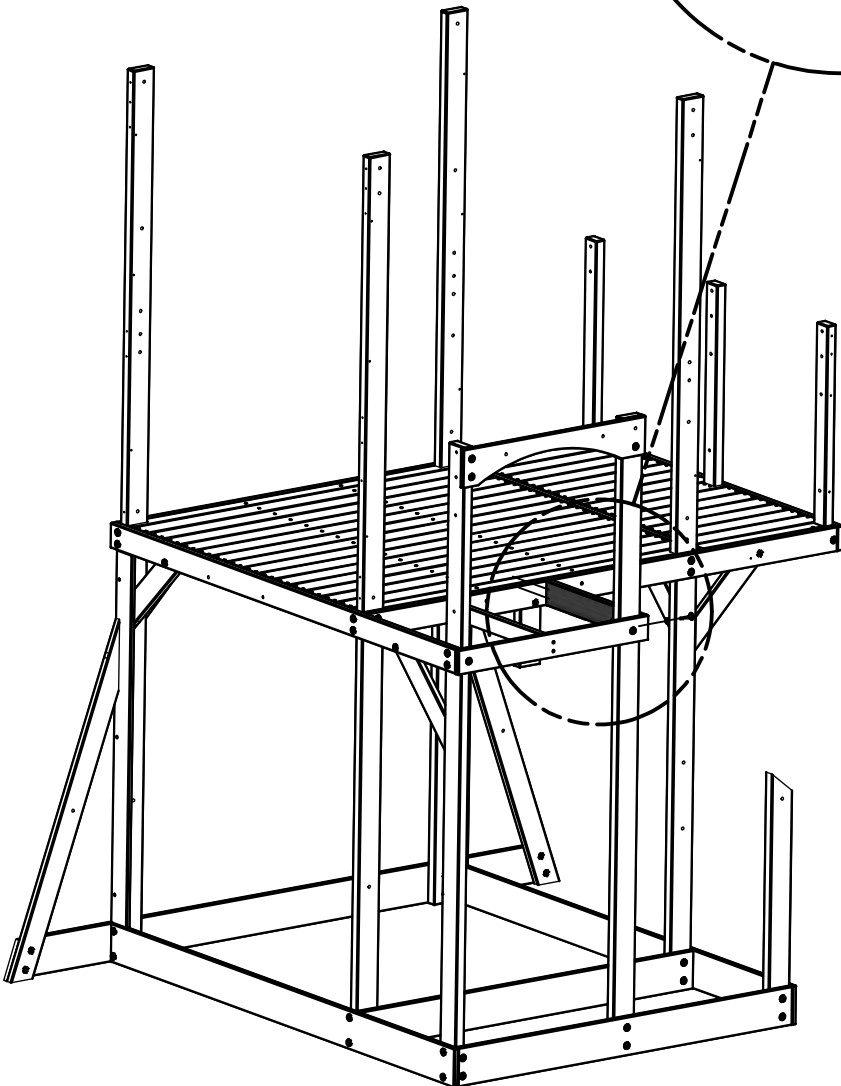
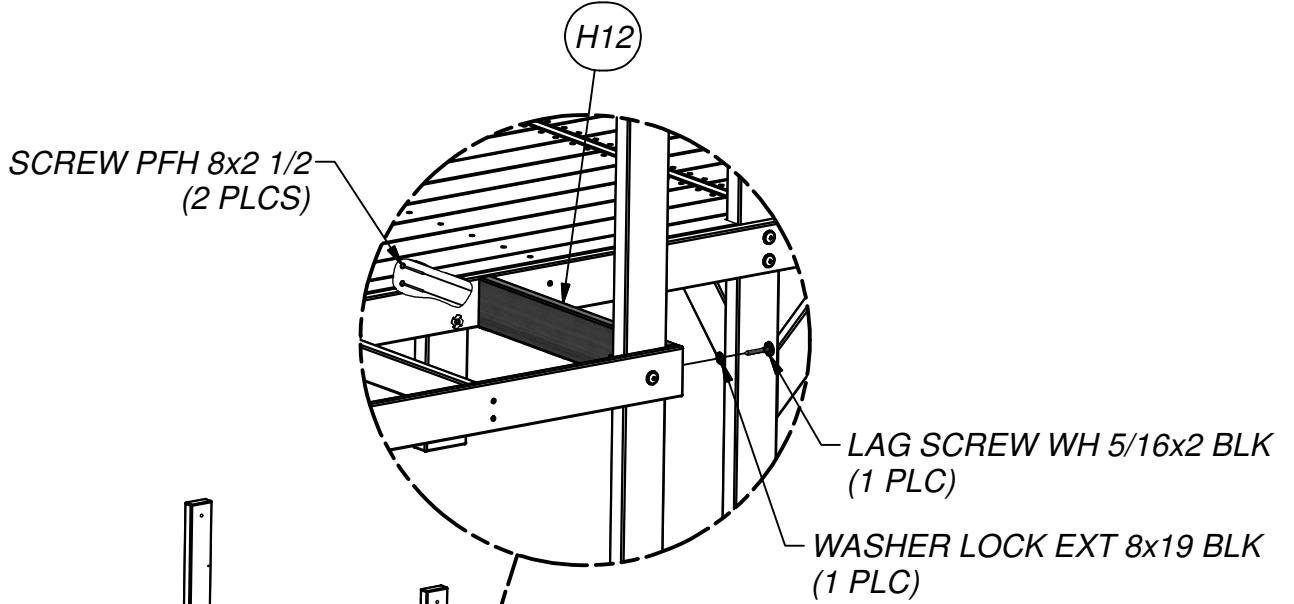
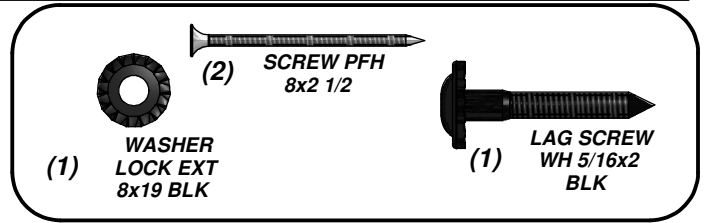
T-NUT 5/16 BLK
 (1 PLC)





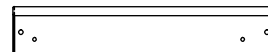
(1) H12 - FLOOR SUPPORT - W4L06125
1"x3 3/8"x20 3/8" (24x86x519)

STEP 23



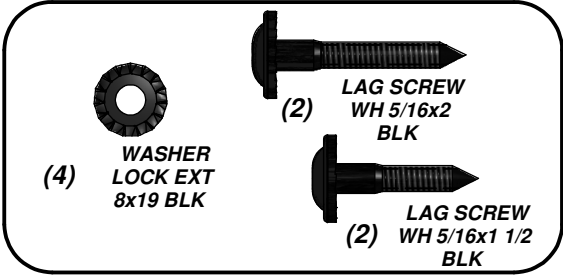


(1) **L1 - SUPPORT BOARD - W4L06128**
 5/8"x3 5/8"x22 3/4" (16x92x579)

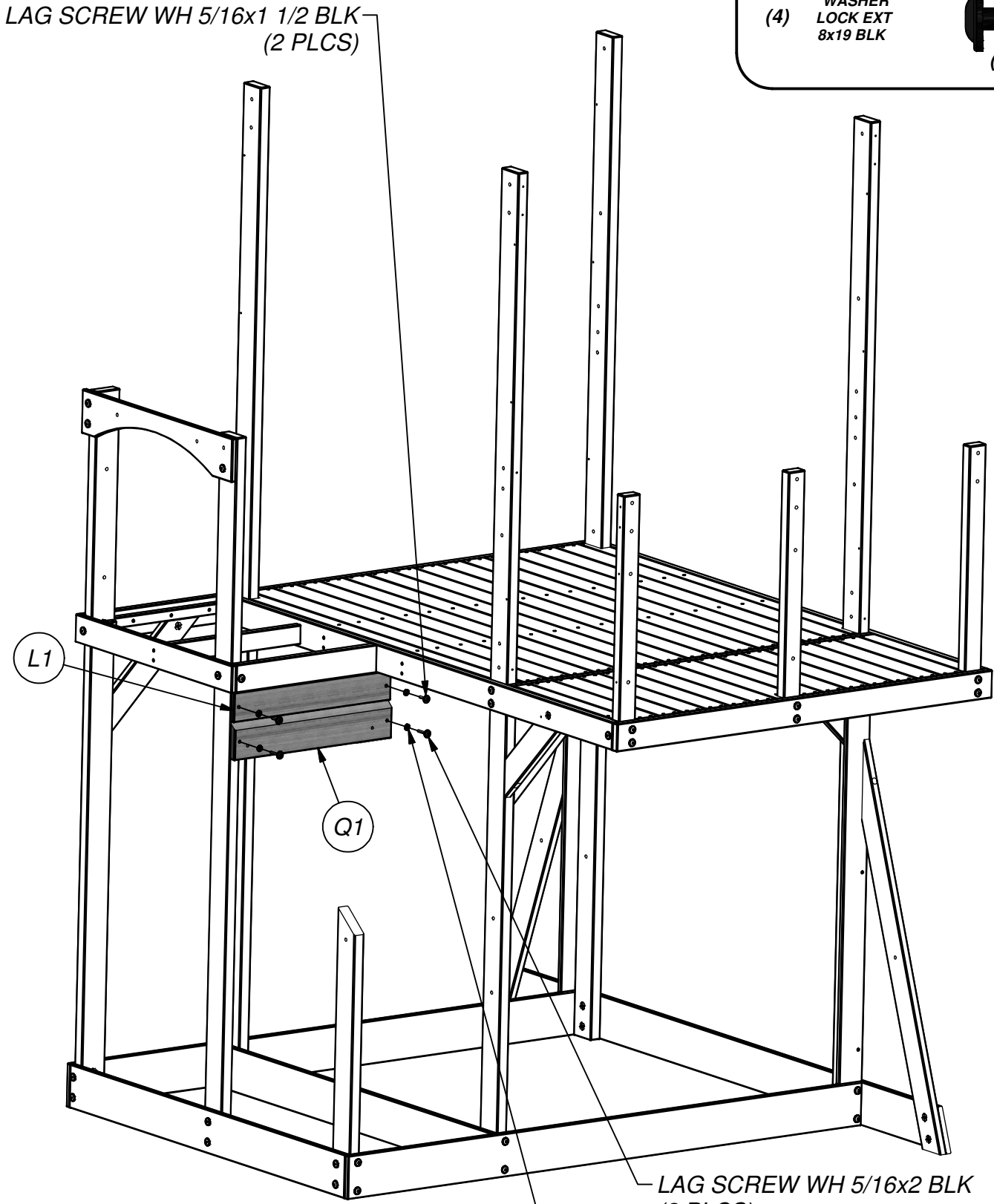


(1) **Q1 - SUPPORT BOARD - W4L06129**
 1"x4 3/8"x22 3/4" (24x112x579)

STEP 24



LAG SCREW WH 5/16x1 1/2 BLK (2 PLCS)



L1

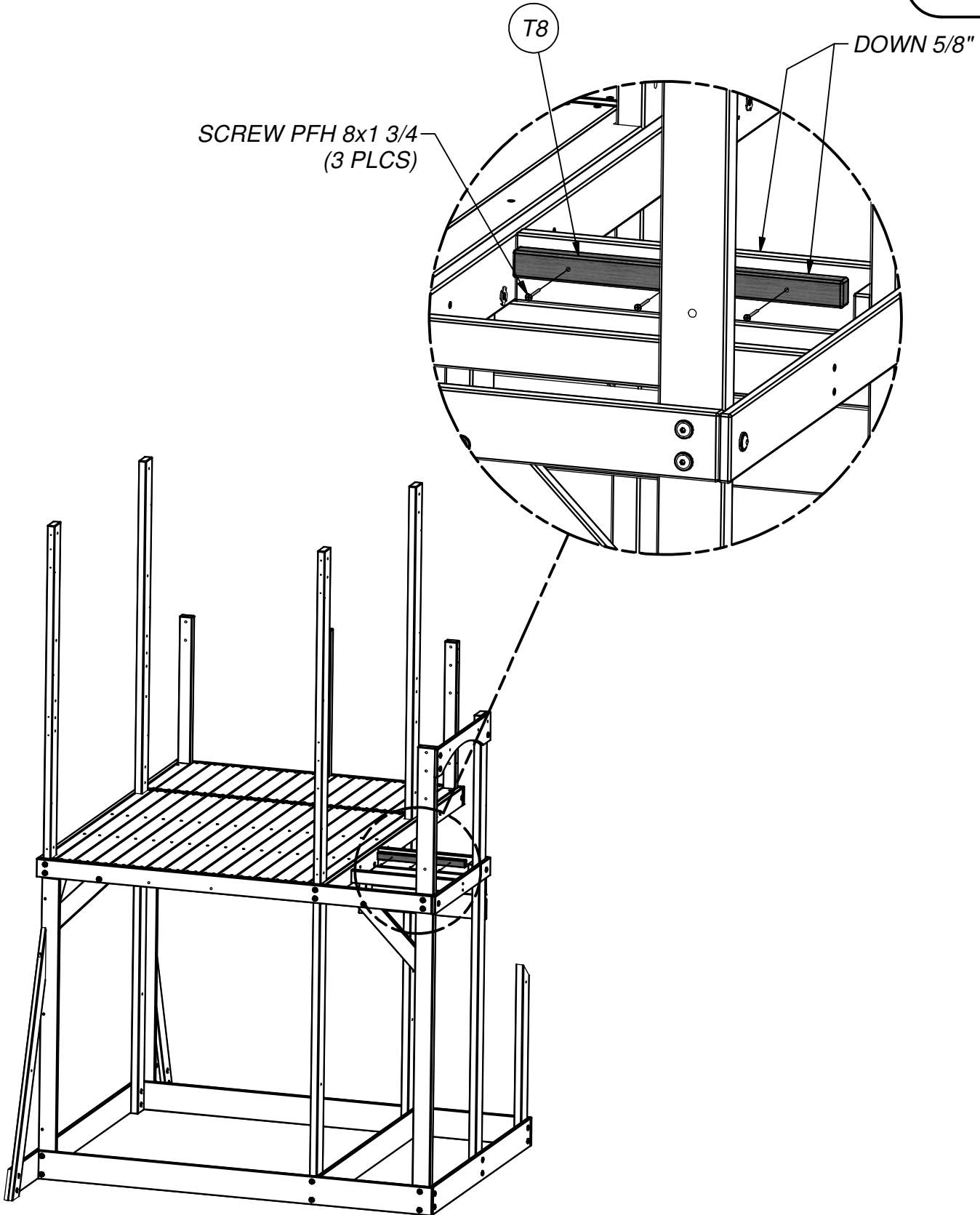
Q1

LAG SCREW WH 5/16x2 BLK (2 PLCS)

WASHER LOCK EXT 8x19 BLK (4 PLCS)

- (1) **T8 - SUPPORT BOARD - W4L06119**
1"x1 3/8"x16 5/8" (24x34x423)

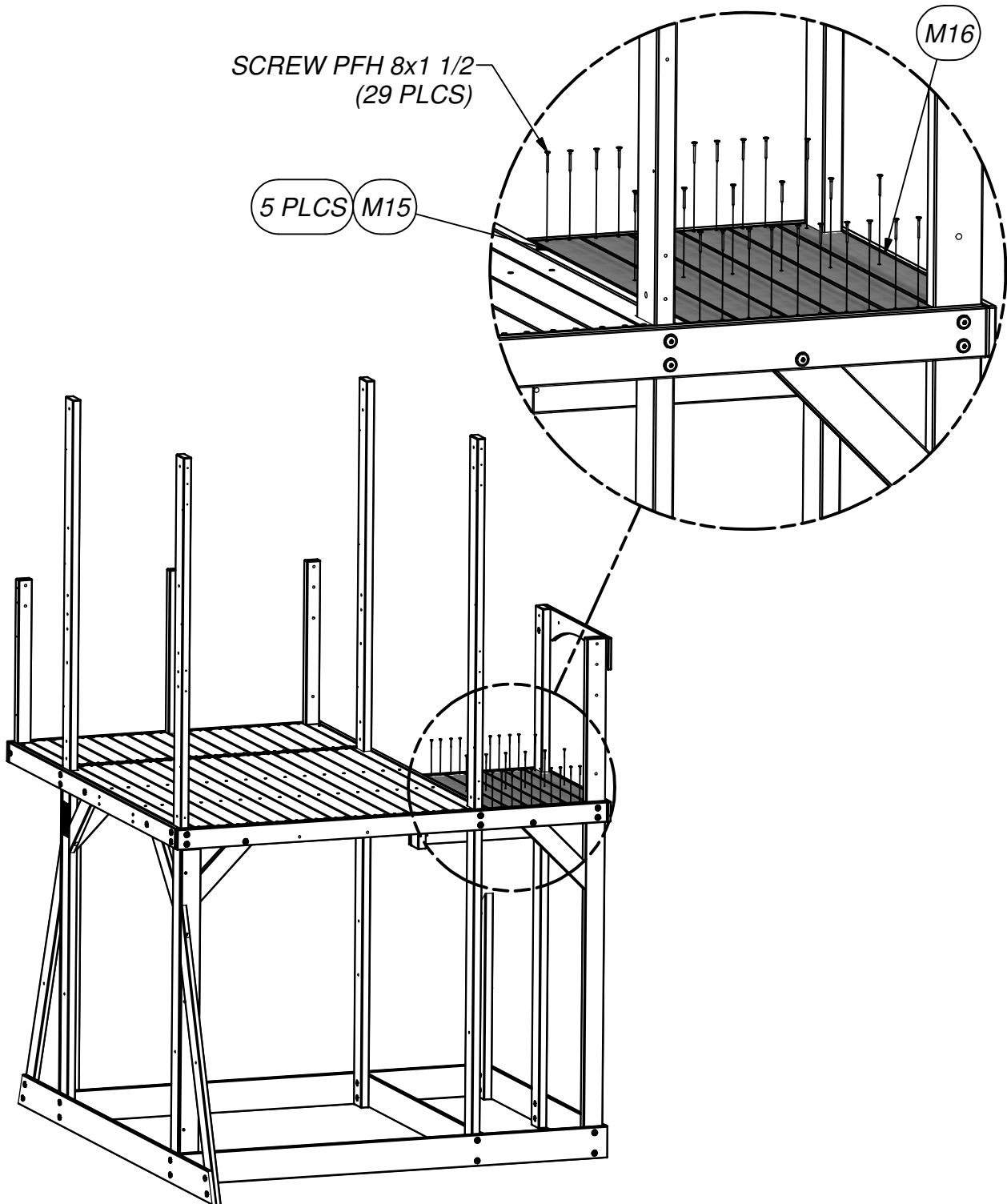
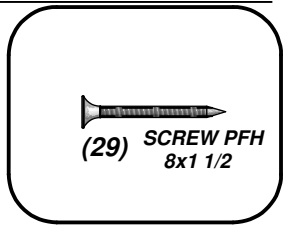
STEP 25

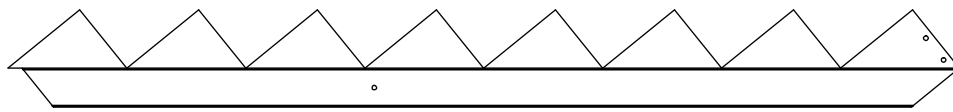


(5) **M15 - FLOOR BOARD - W4L06120**
5/8"x3 3/8"x29 1/8" (16x86x740)

(1) **M16 - FLOOR BOARD - W4L06130**
5/8"x3 3/8"x27 3/4" (16x86x704)

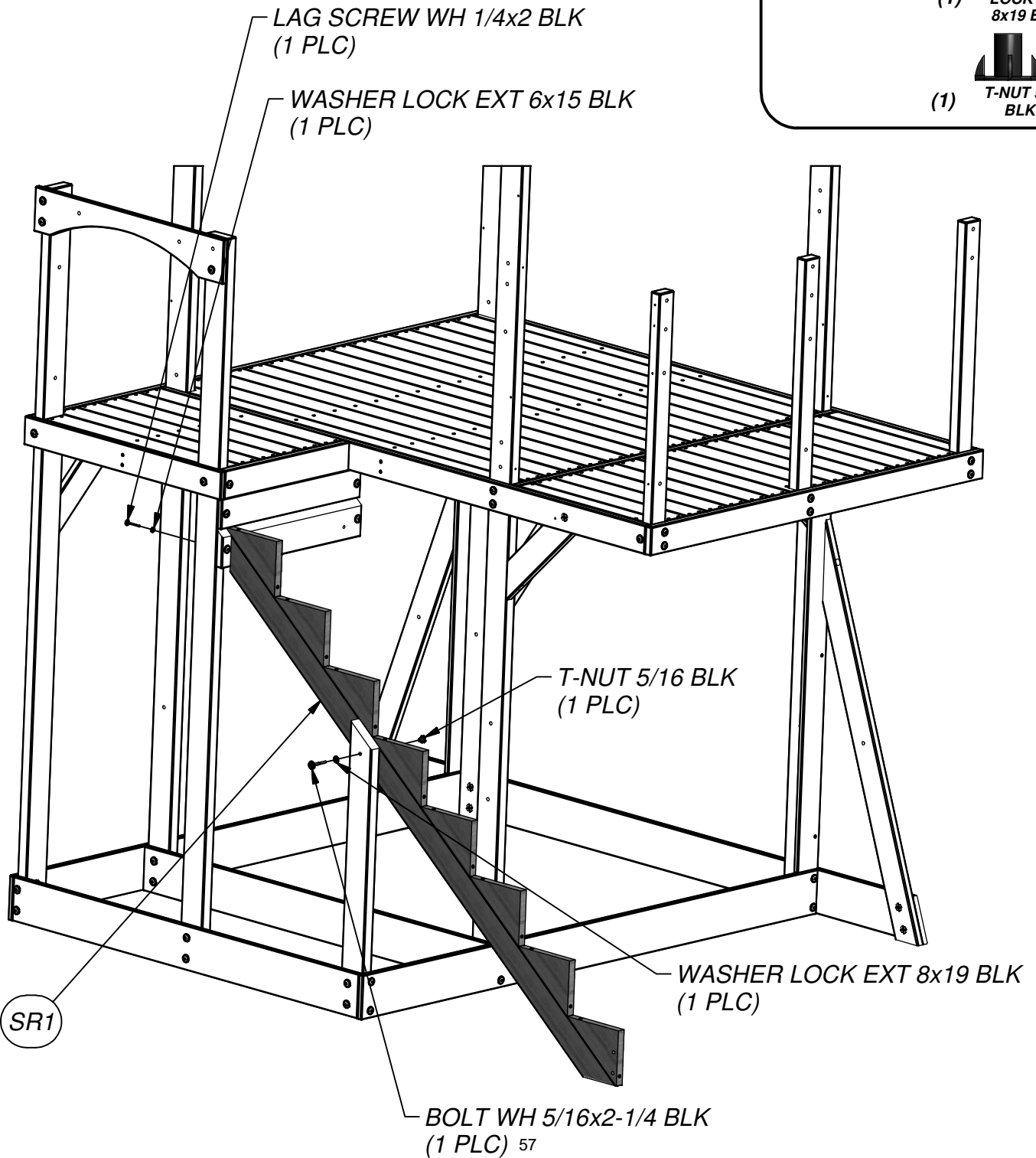
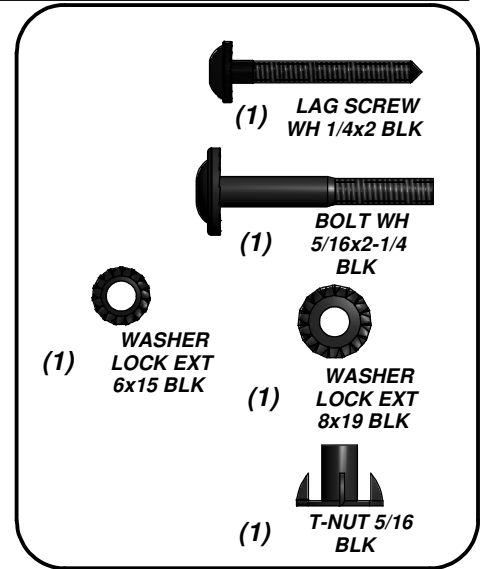
STEP 26





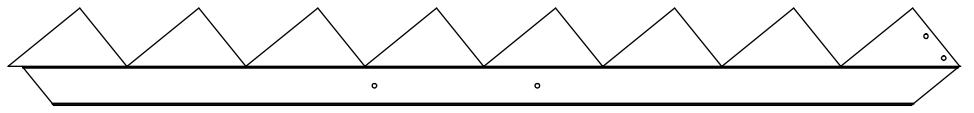
(1) **SR1 - STAIR RAIL - W2A01863**
1"x8 3/8"x82 5/8" (24x214x2099)

STEP 27





(1) **H13 - WALL SPACER - W4L06126**
 1"x3 3/8"x3 3/8" (24x86x86)

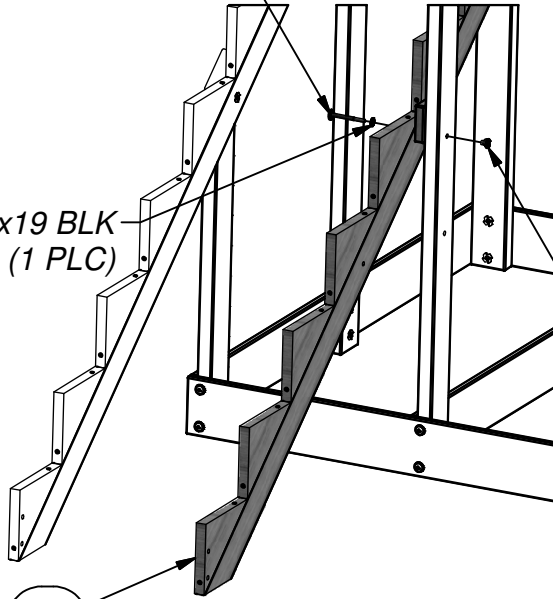


(1) **SR2 - STAIR RAIL - W2A01868**
 1"x8 3/8"x82 5/8" (24x214x2099)

STEP 28

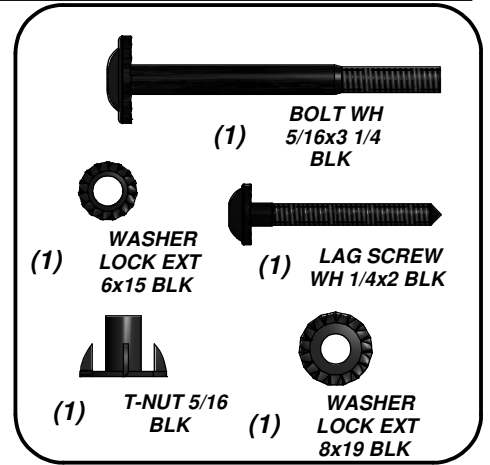
BOLT WH 5/16x3 1/4 BLK
 (1 PLC)

WASHER LOCK EXT 8x19 BLK
 (1 PLC)



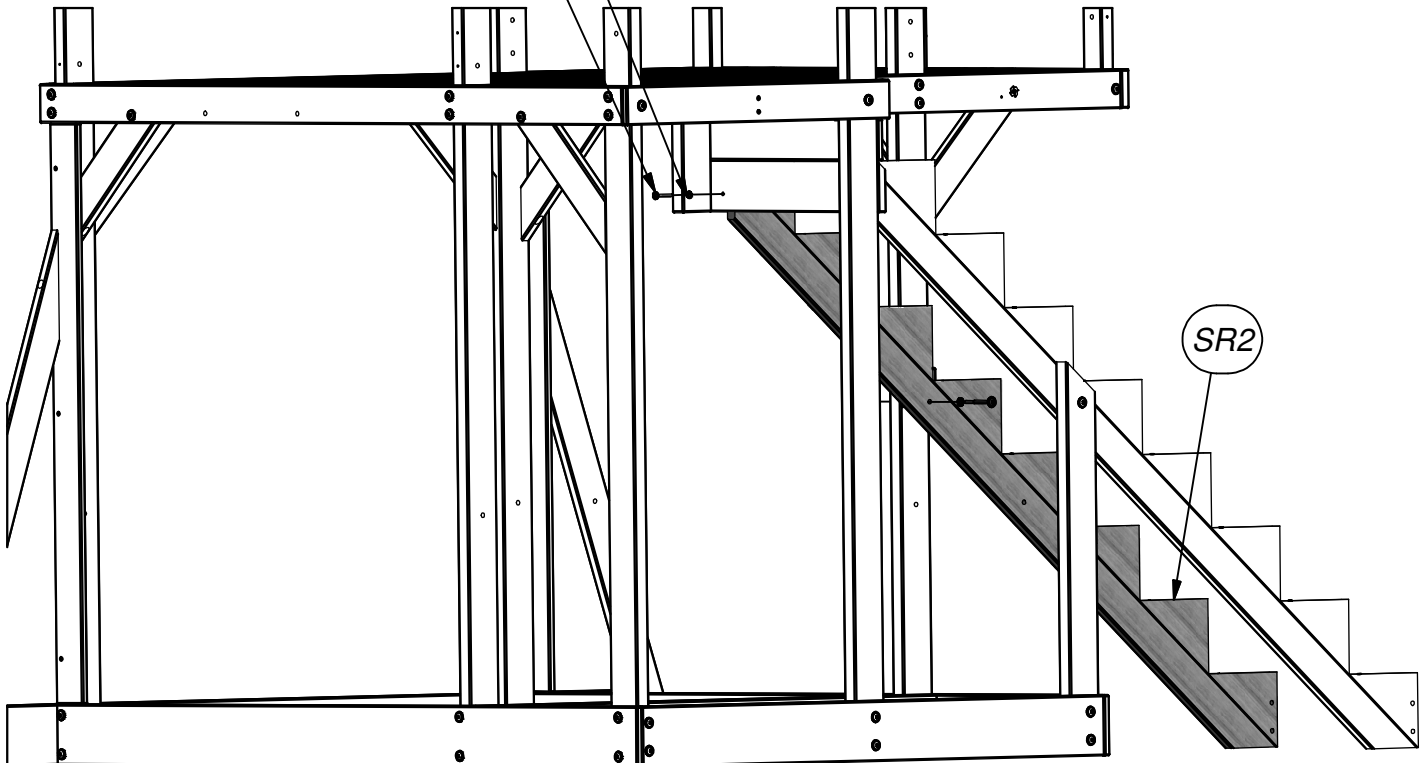
T-NUT 5/16 BLK
 (1 PLC)

SR2

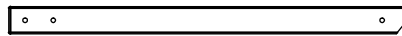


WASHER LOCK EXT 6x15 BLK
 (1 PLC)

LAG SCREW WH 1/4x2 BLK
 (1 PLC)

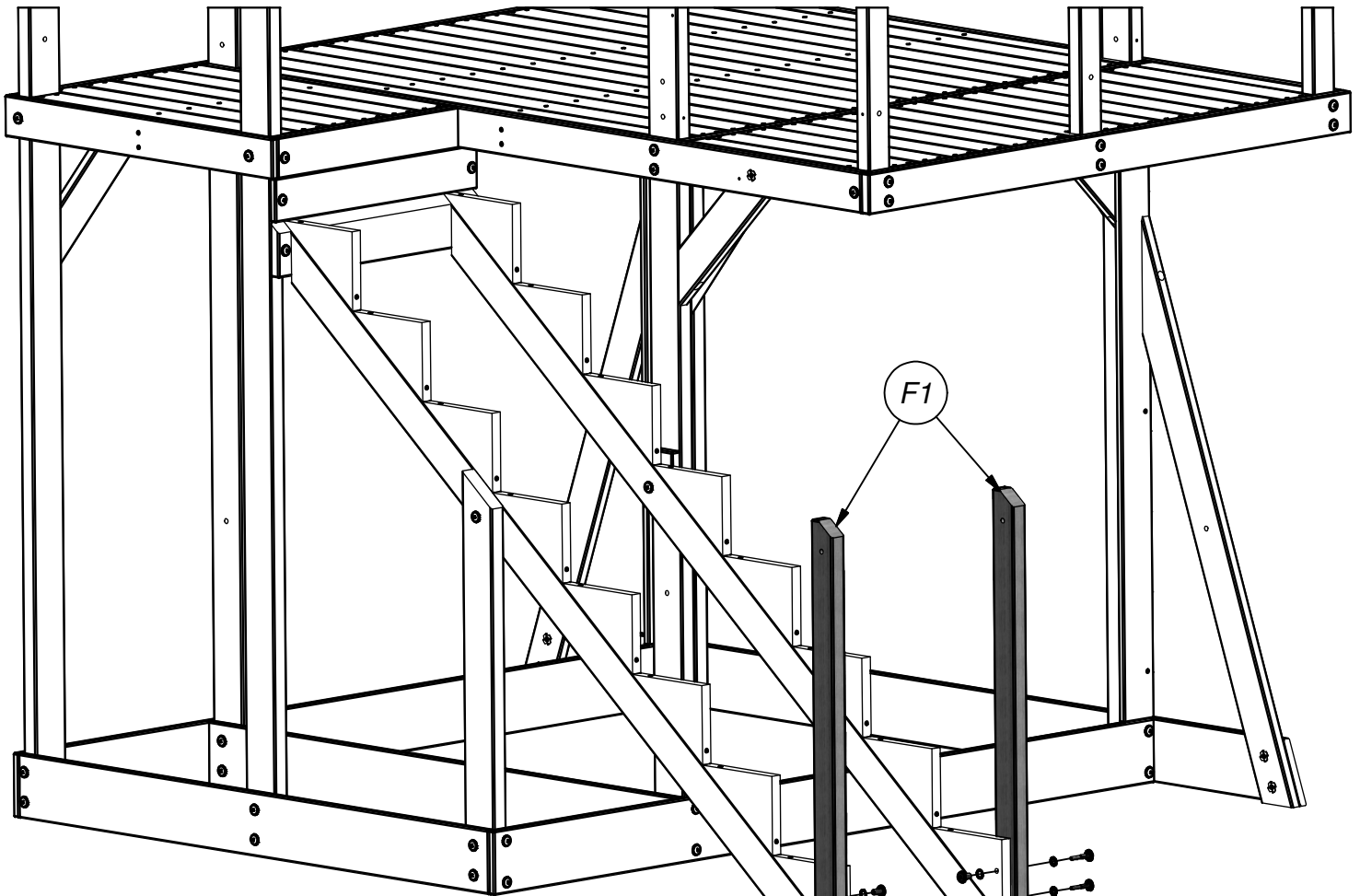
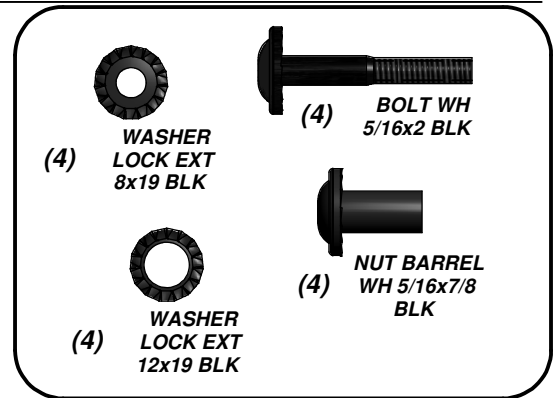


SR2



(2) **F1 - UPRIGHT - W4L06131**
1 3/8"x2 3/8"x34 7/8" (36x60x887)

STEP 29

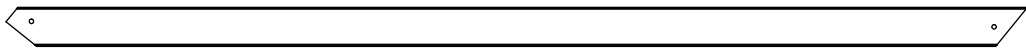


BOLT WH 5/16x2 BLK (4 PLCS)

WASHER LOCK EXT 8x19 BLK (4 PLCS)

NUT BARREL WH 5/16x7/8 BLK (4 PLCS)

WASHER LOCK EXT 12x19 BLK (4 PLCS)



(1) **H1 - HANDRAIL - W4L06132**
1"x3 3/8"x88 3/4" (24x86x2253)

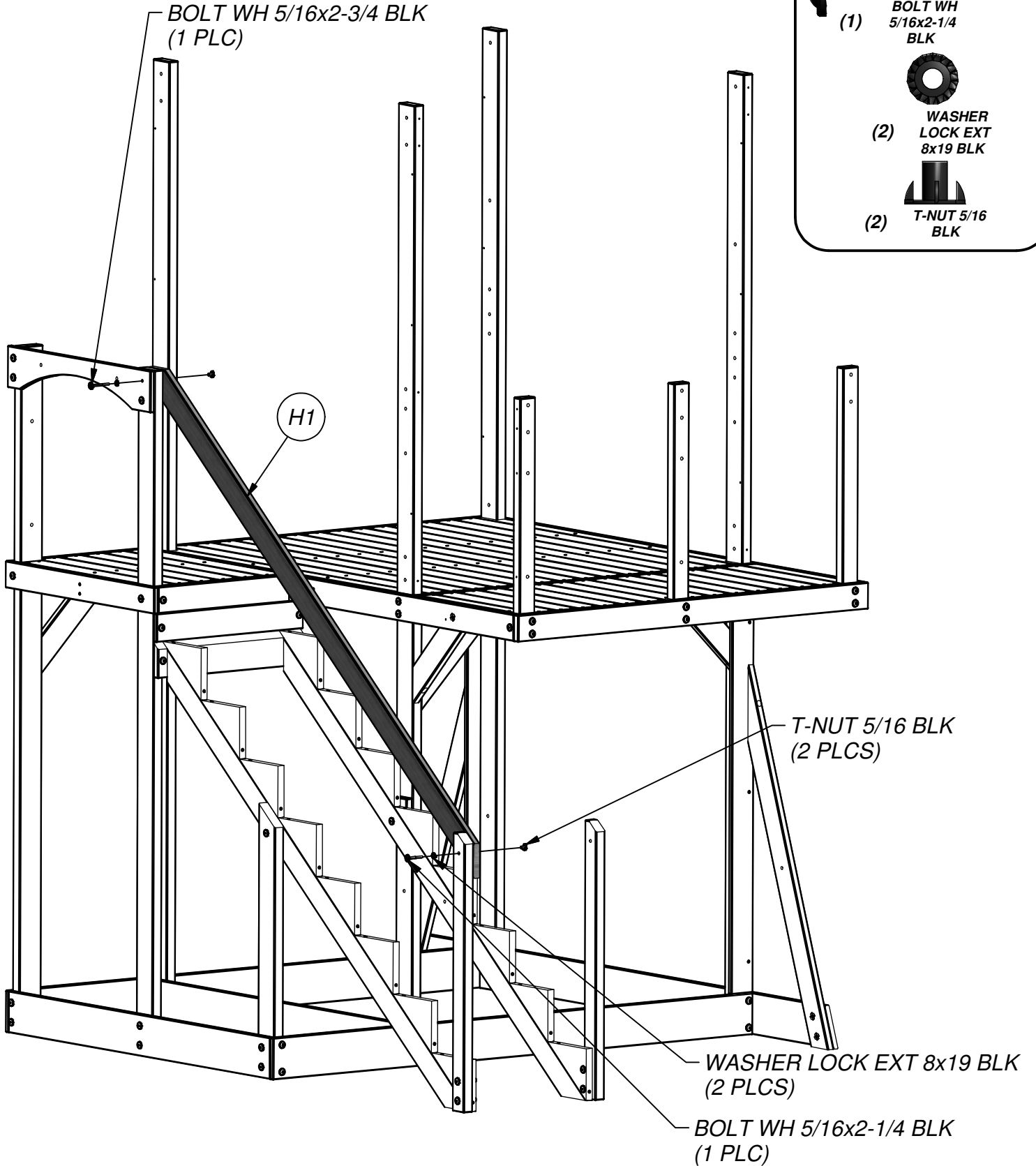
STEP 30

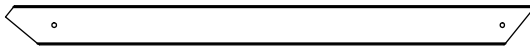
(1) **BOLT WH**
5/16x2-3/4
BLK

(1) **BOLT WH**
5/16x2-1/4
BLK

(2) **WASHER**
LOCK EXT
8x19 BLK

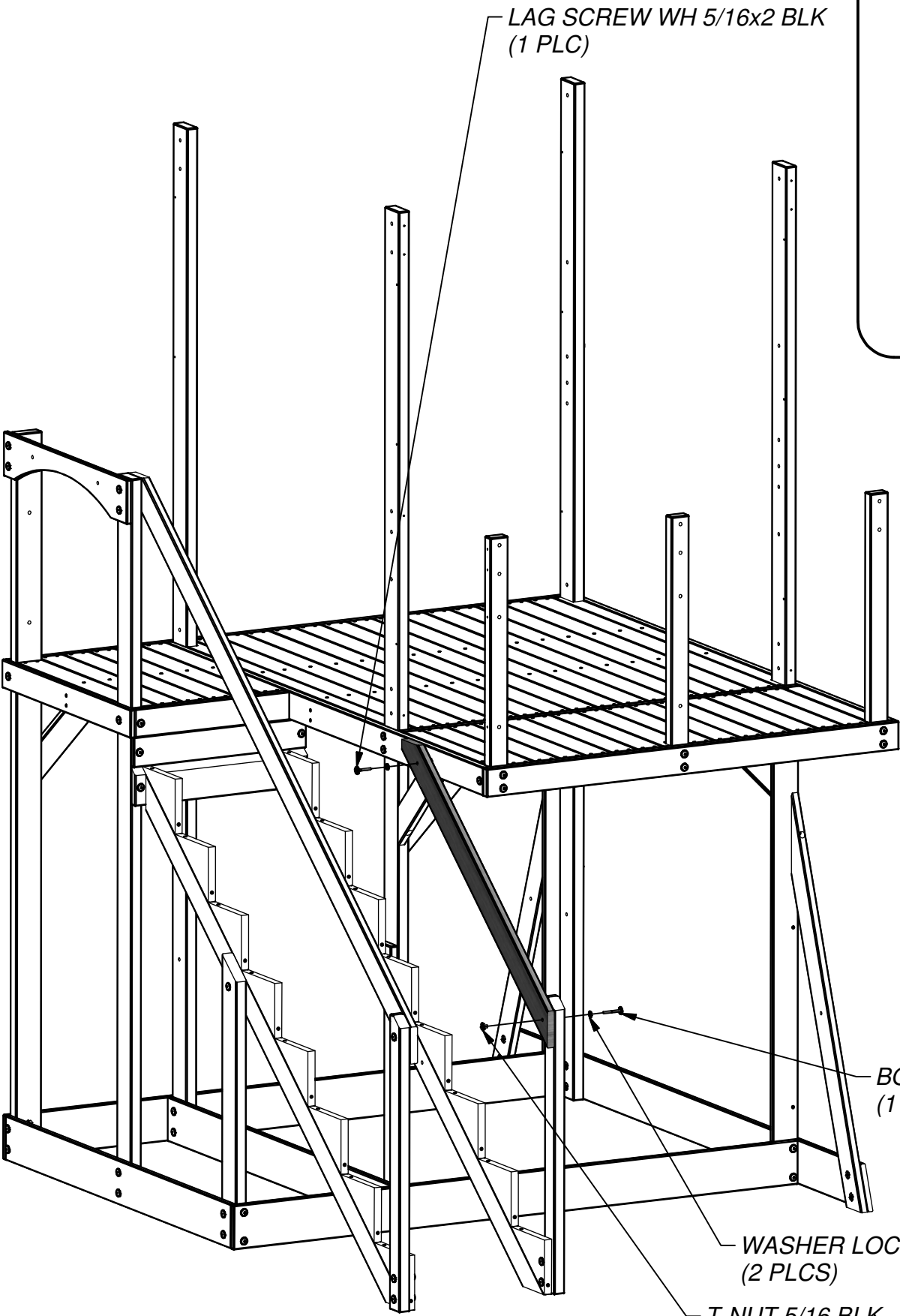
(2) **T-NUT 5/16**
BLK





(1) **H11 - HANDRAIL - W4L06133**
 1"x3 3/8"x46" (24x86x1170)

STEP 31



(1) **BOLT WH 5/16x2-1/4 BLK**

(1) **LAG SCREW WH 5/16x2 BLK**

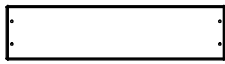
(2) **WASHER LOCK EXT 8x19 BLK**

(1) **T-NUT 5/16 BLK**

BOLT WH 5/16x2-1/4 BLK (1 PLC)

WASHER LOCK EXT 8x19 BLK (2 PLCS)

T-NUT 5/16 BLK (1 PLC)

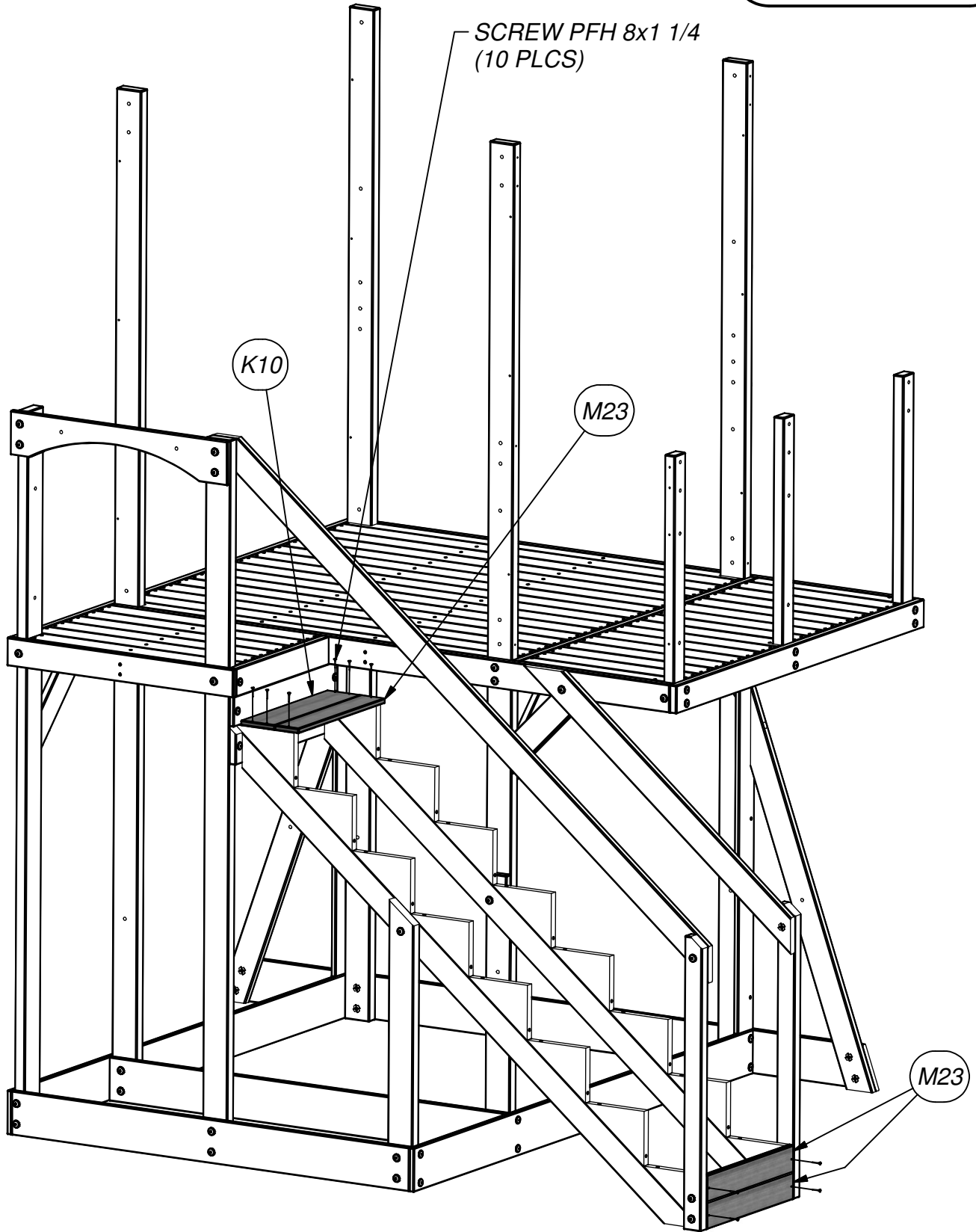
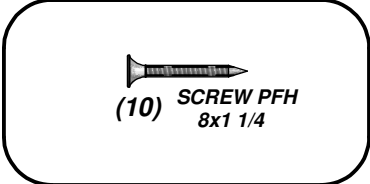


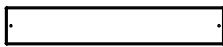
(1) **K10 - STAIR STEP BOARD - W4L06123**
 5/8"x4 5/8"x19" (16x119x483)



(3) **M23 - STAIR STEP BOARD - W4L06122**
 5/8"x3 1/4"x19" (16x83x483)


STEP 32

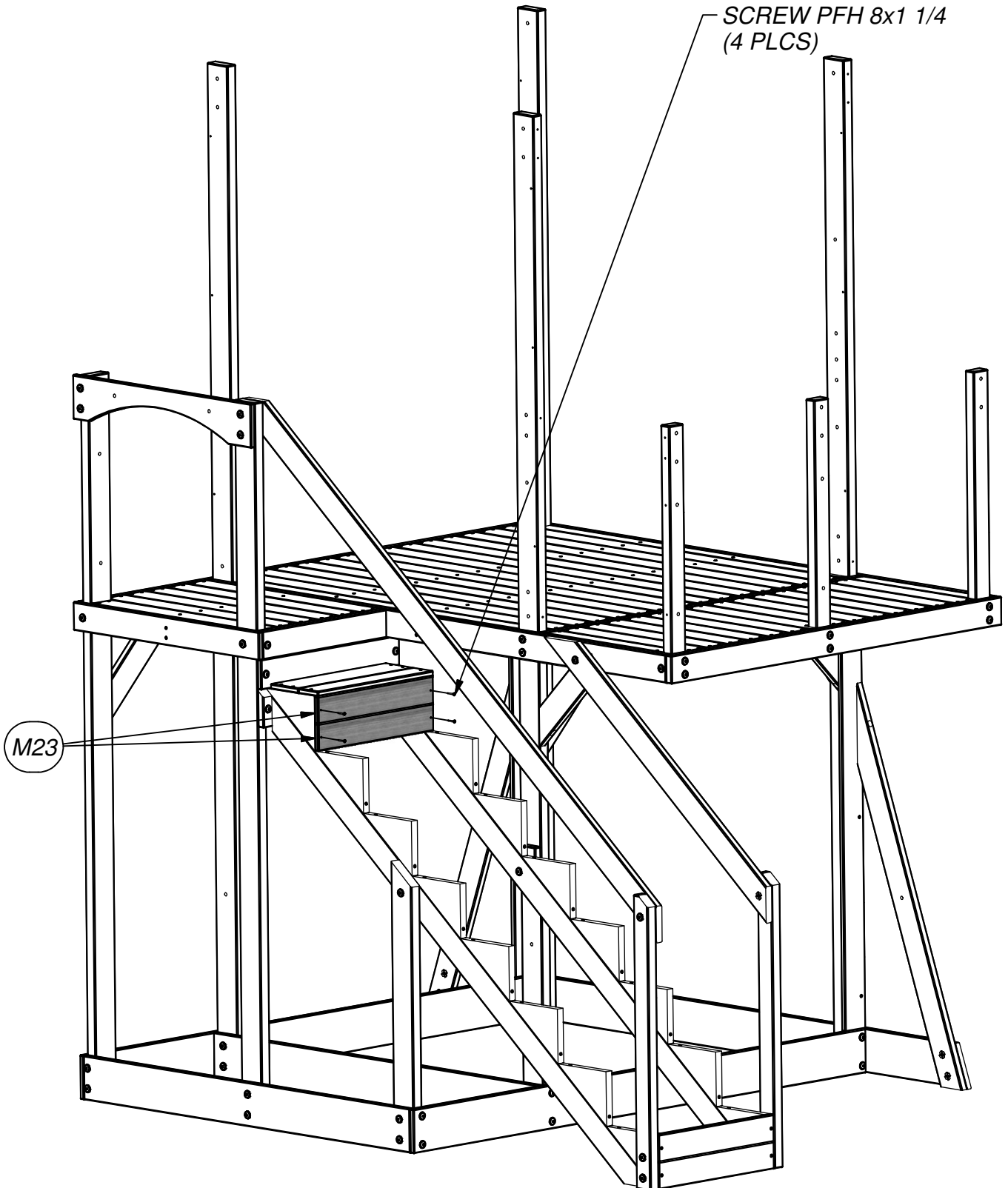


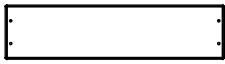


(2) M23 - STAIR STEP BOARD - W4L06122
5/8"x3 1/4"x19" (16x83x483)

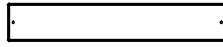
STEP 33

 (4) SCREW PFH
8x1 1/4



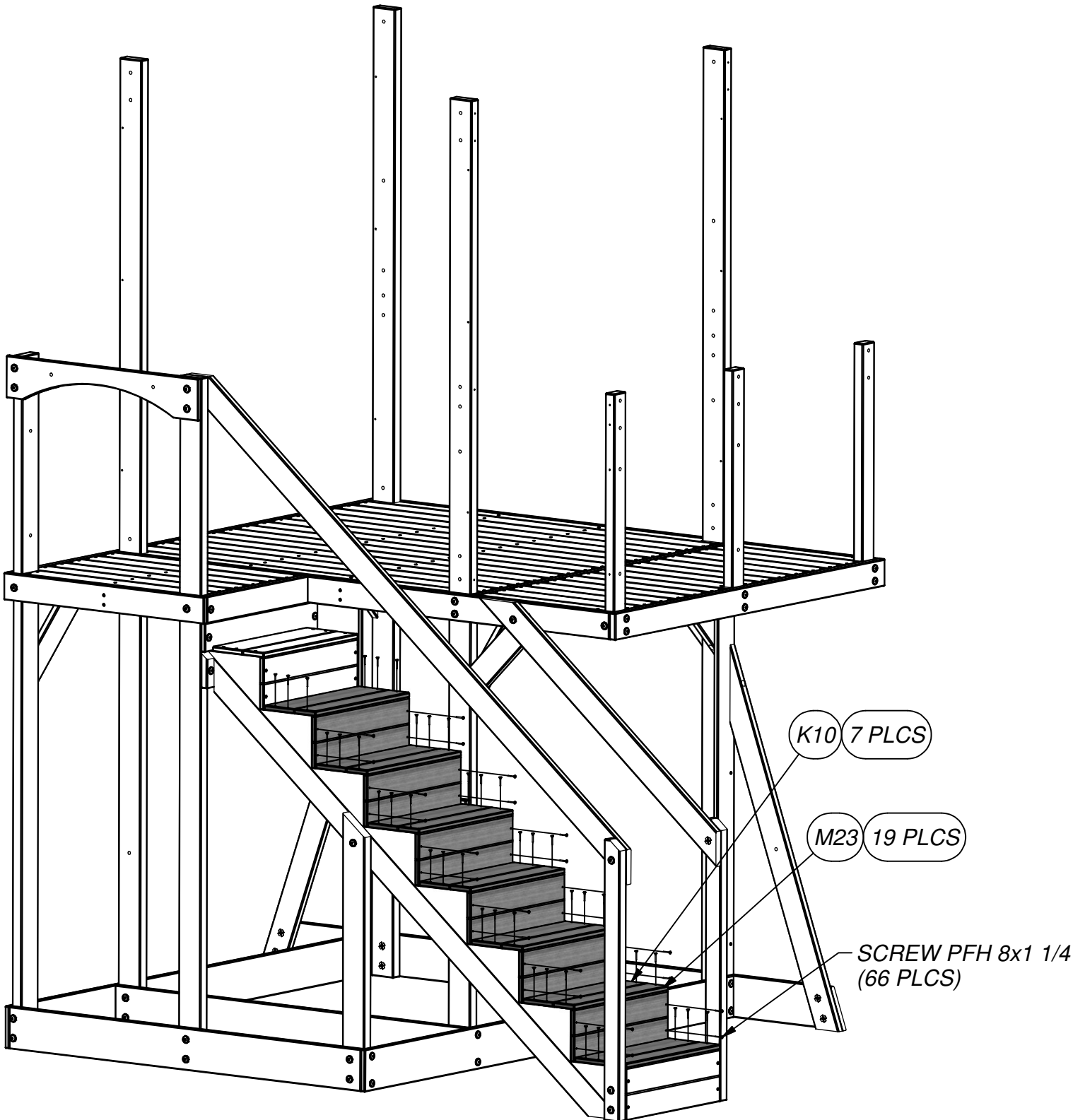
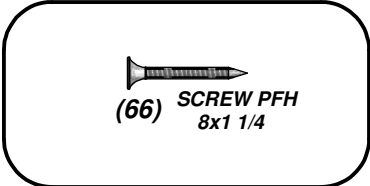


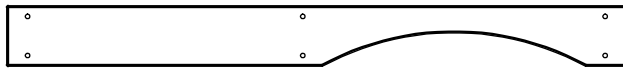
(7) **K10 - STAIR STEP BOARD - W4L06123**
 5/8"x4 5/8"x19" (16x119x483)



(19) **M23 - STAIR STEP BOARD - W4L06122**
 5/8"x3 1/4"x19" (16x83x483)

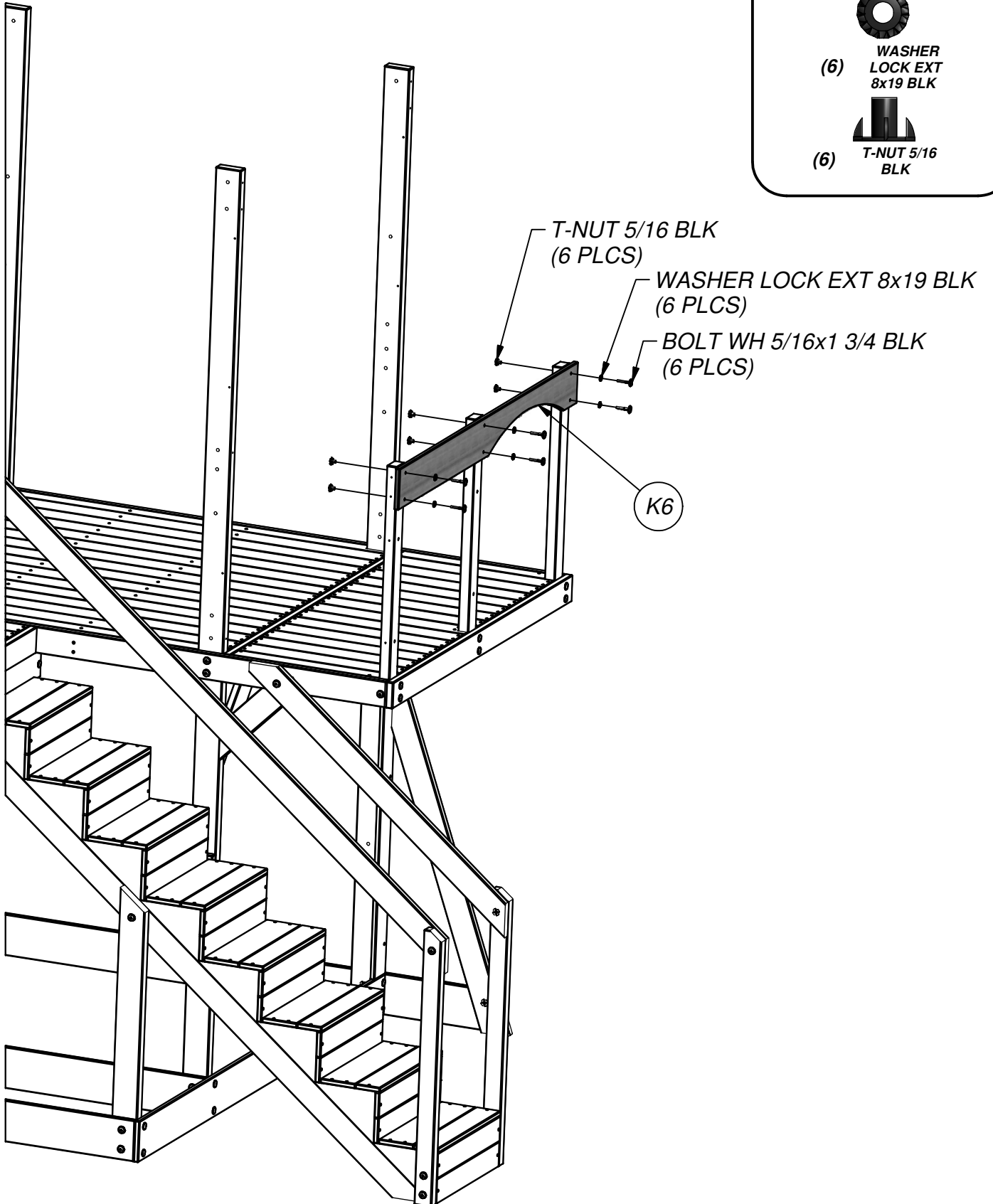
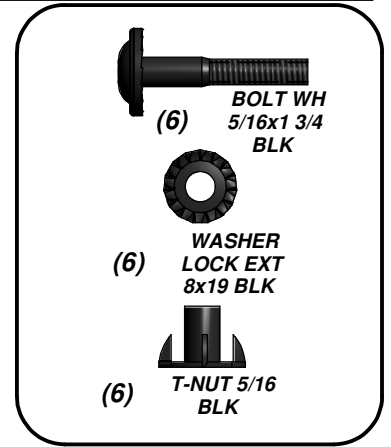
STEP 34

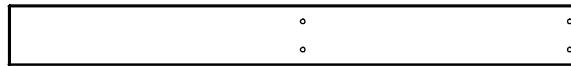




(1) **K6 - ARCHED RAIL - W4L06084**
5/8"x5 1/4"x54 1/8" (16x134x1374)

STEP 35







(1) **K8 - WALL RAIL - W4L06095**
5/8"x5 1/4"x49 1/2" (16x134x1256)

STEP 36

BOLT WH 5/16x1 3/4 BLK
(2 PLCS)

T-NUT 5/16 BLK
(2 PLCS)


BOLT WH
(2) **5/16x1 3/4**
BLK


(4) **WASHER**
LOCK EXT
8x19 BLK

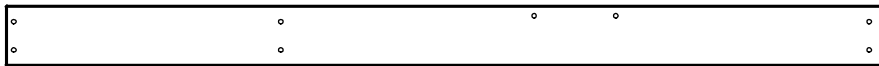

(2) **T-NUT 5/16**
BLK


(2) **LAG SCREW**
WH 5/16x1 1/2
BLK

K8

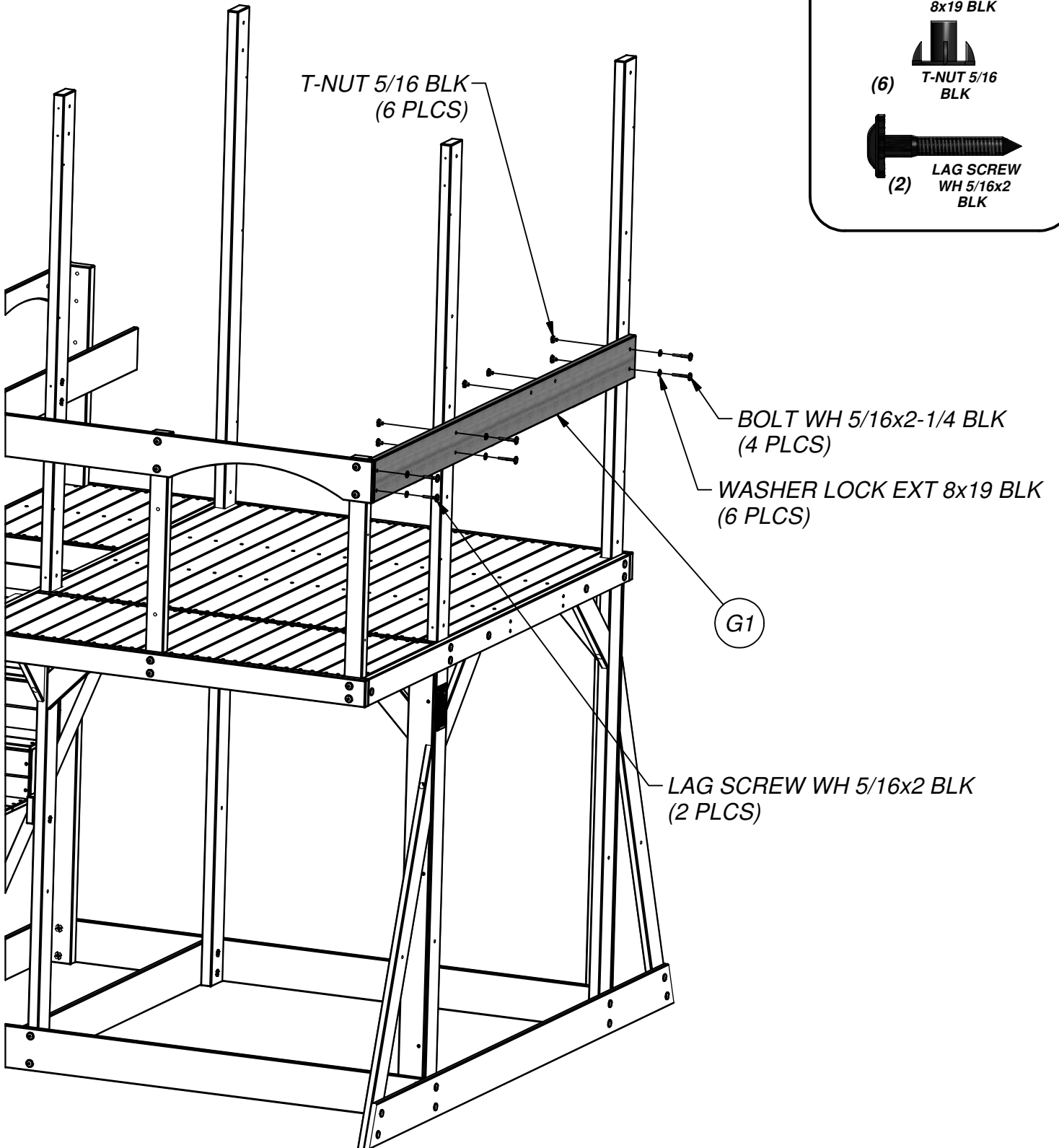
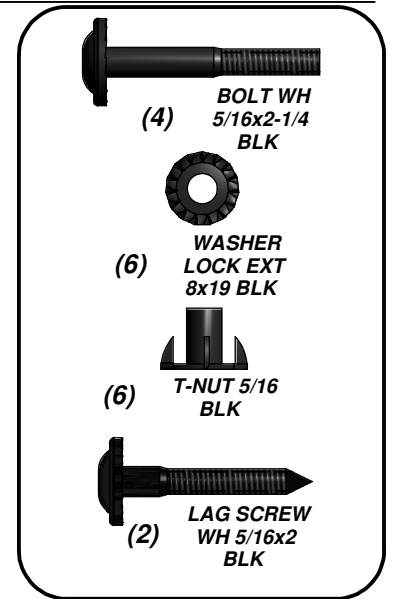
WASHER LOCK EXT 8x19 BLK
(4 PLCS)

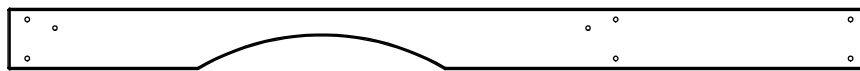
LAG SCREW WH 5/16x1 1/2 BLK
(2 PLCS)



(1) **G1 - WALL RAIL - W4L06086**
1"x5 1/4"x76 3/4" (24x134x1948)

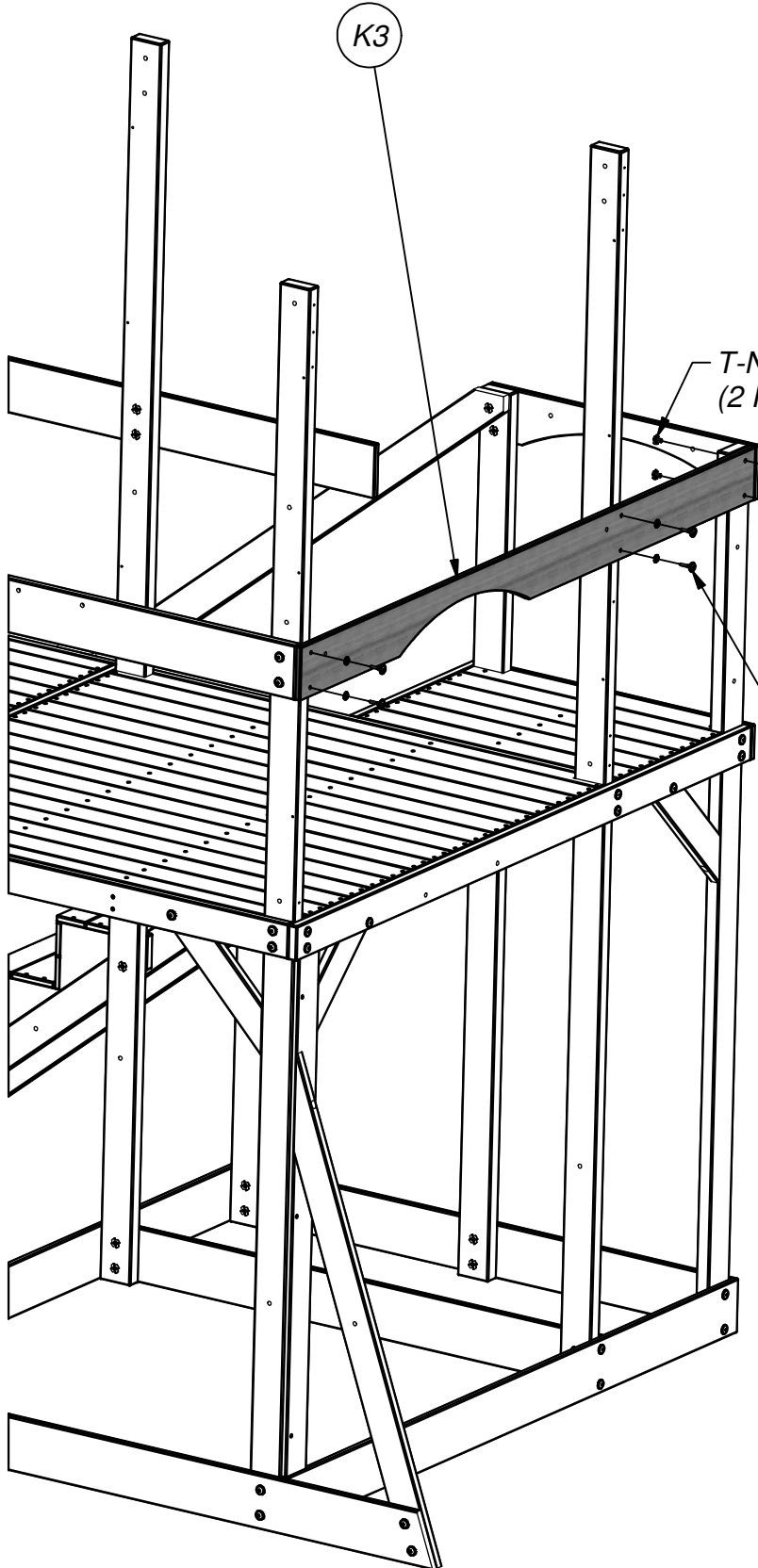
STEP 37





(1) **K3 - ARCHED RAIL - W4L06106**
5/8"x5 1/4"x74 7/8" (16x134x1901)

STEP 38

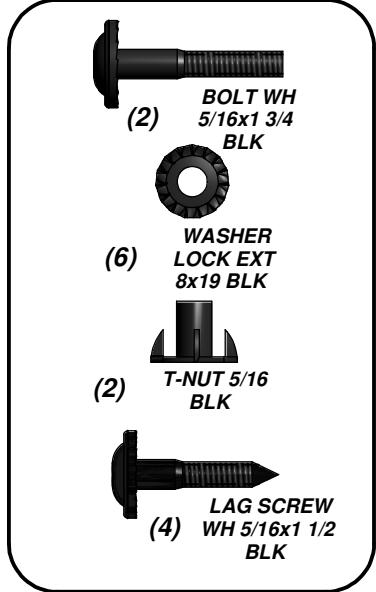


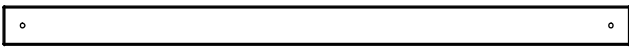
T-NUT 5/16 BLK
(2 PLCS)

BOLT WH 5/16x1 3/4 BLK
(2 PLCS)

WASHER LOCK EXT 8x19 BLK
(6 PLCS)

LAG SCREW WH 5/16x1 1/2 BLK
(4 PLCS)



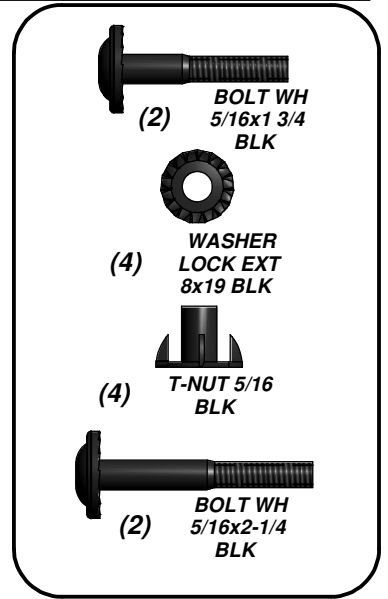
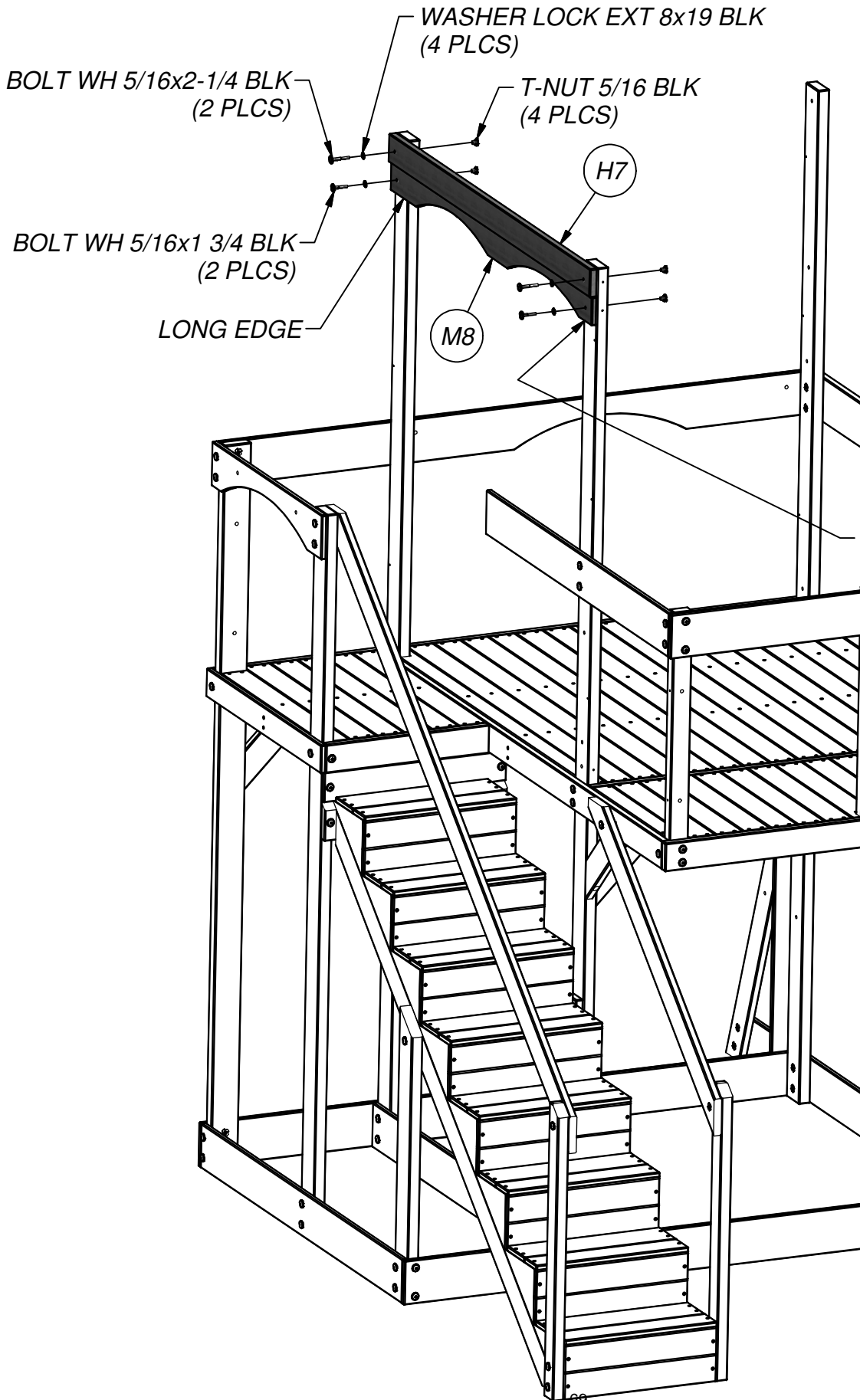


(1) H7 - WALL RAIL - W4L06100
1"x3 3/8"x54 1/2" (24x86x1384)



(1) M8 - ARCHED RAIL - W4L06101
5/8"x3 3/8"x54 1/2" (16x86x1384)

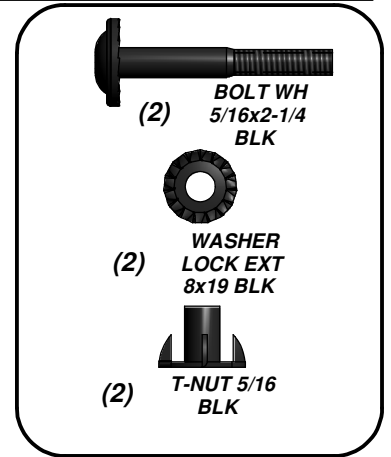
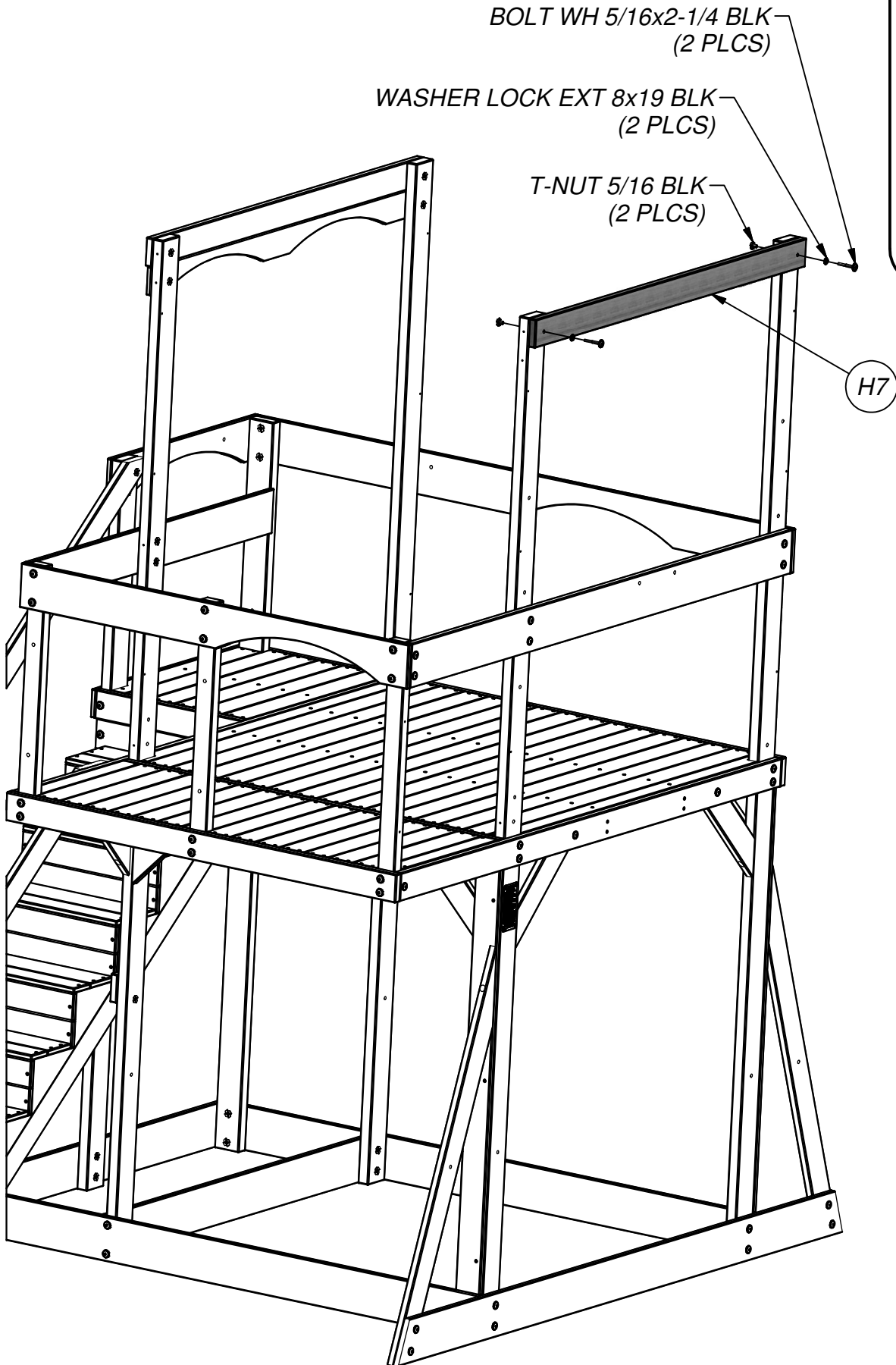
STEP 39

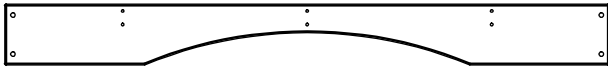




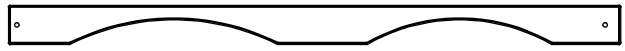
(1) H7 - WALL RAIL - W4L06100
1"x3 3/8"x54 1/2" (24x86x1384)

STEP 40



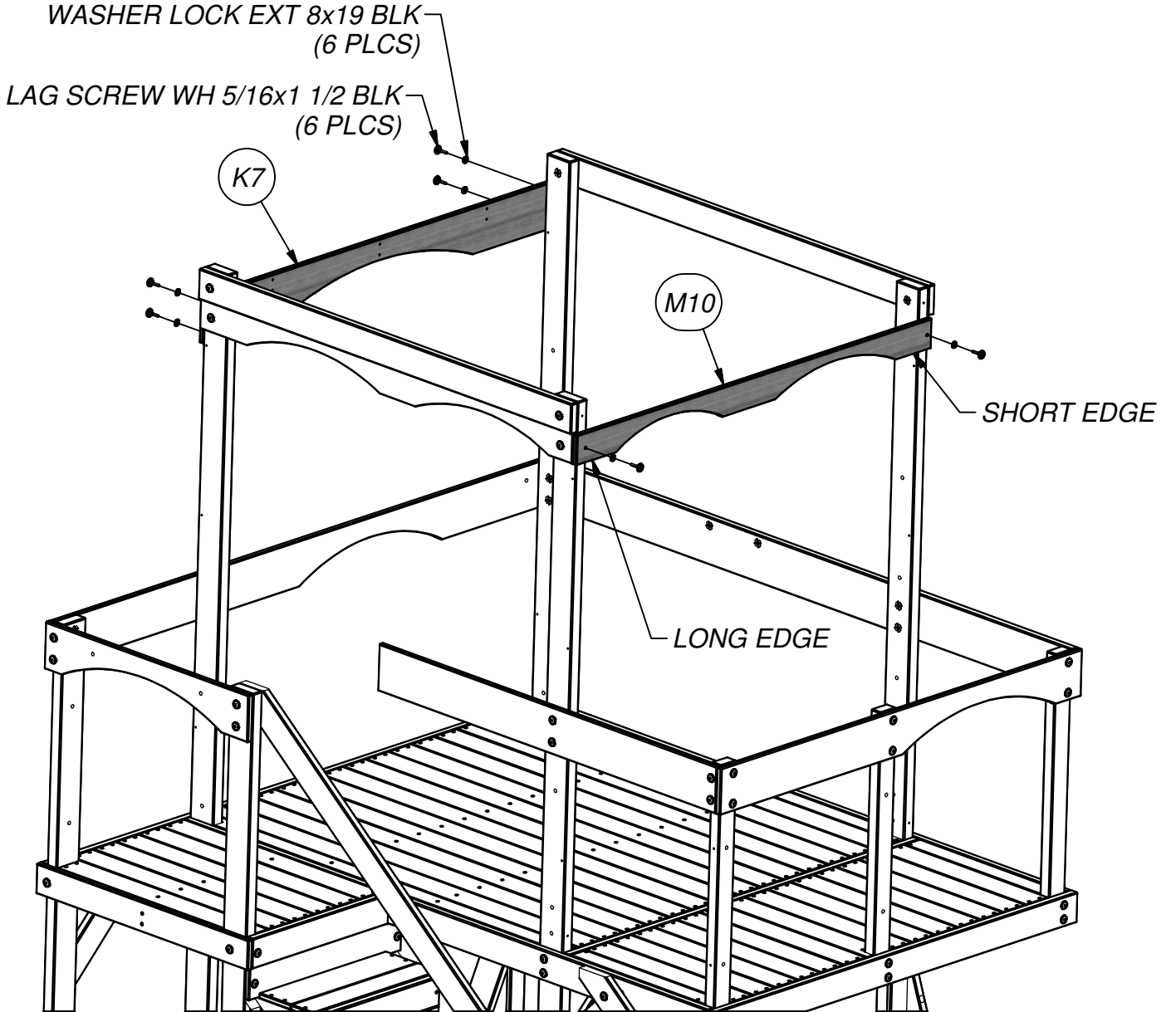
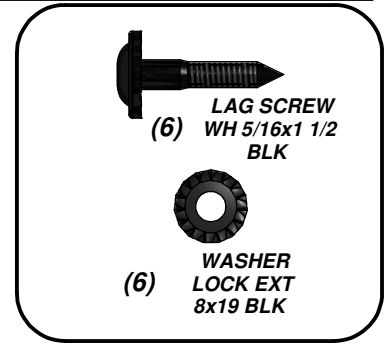


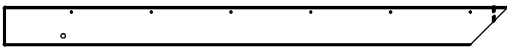
(1) **K7 - ARCHED RAIL - W4L06105**
5/8"x5 1/4"x52 1/2" (16x134x1334)



(1) **M10 - ARCHED RAIL - W4L06103**
5/8"x3 3/8"x53 1/8" (16x86x1350)

STEP 41



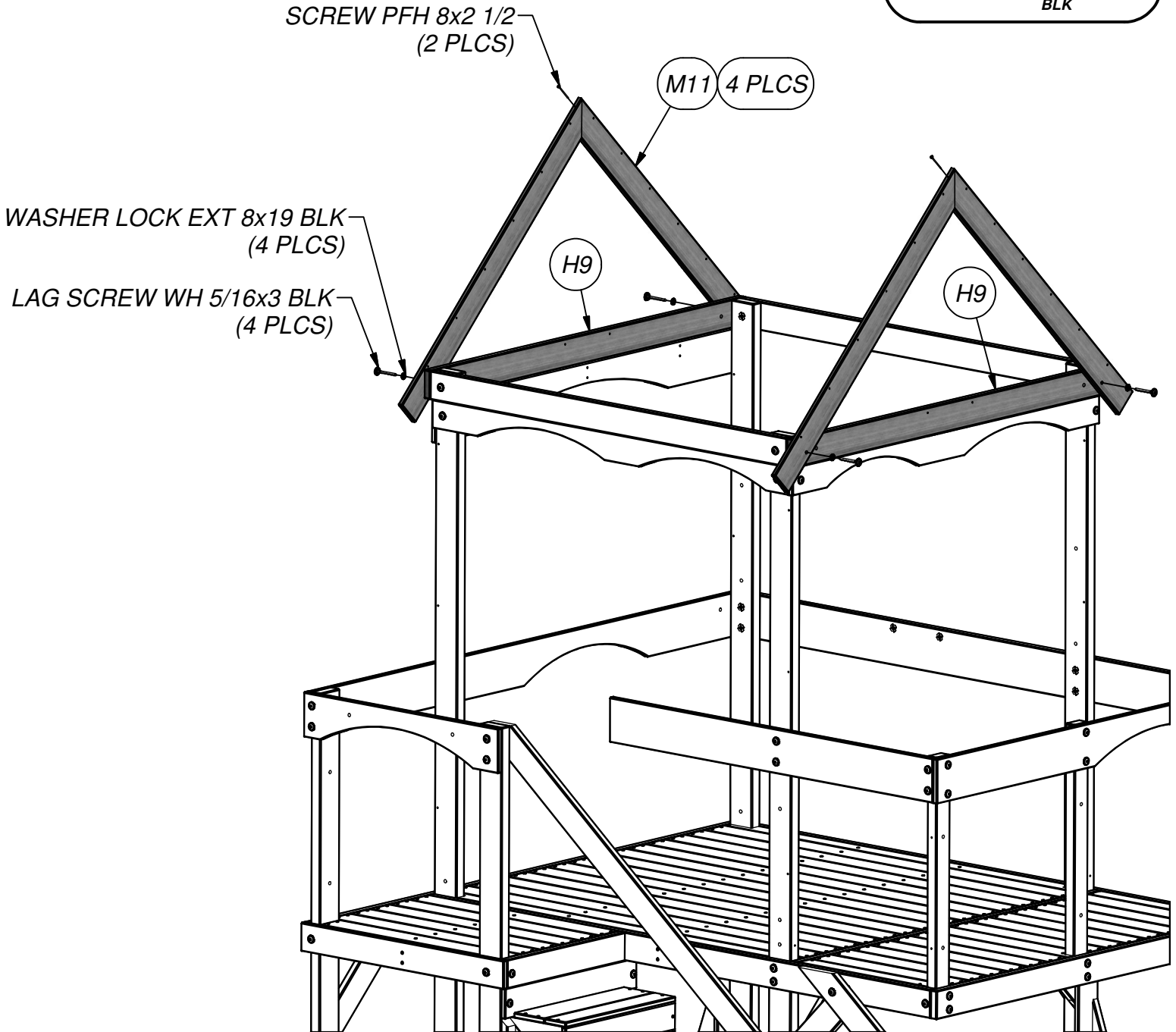
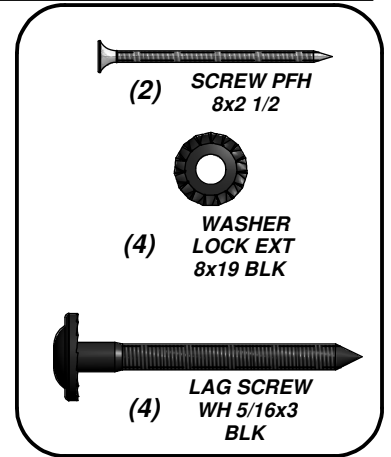


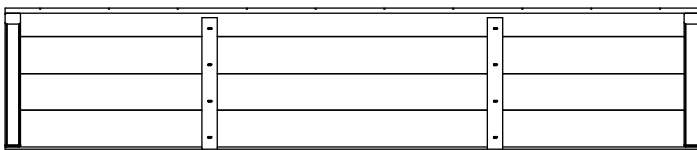
(4) **M11 - ROOF RAFTER - W4L06114**
5/8"x3 3/8"x43 7/8" (16x86x1114)



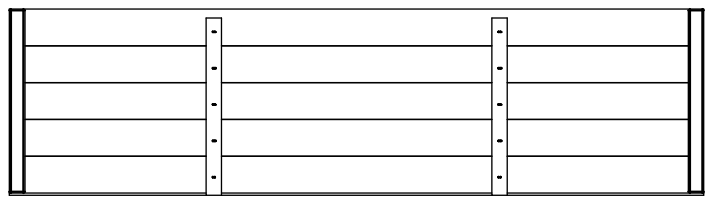
(2) **H9 - WALL RAIL - W4L06102**
1"x3 3/8"x54 3/8" (24x86x1382)

STEP 42





(1) **RP1 - ROOF PANEL - W2A01860**
1 3/8"x12 1/4"x59 1/2" (35x311x1532)

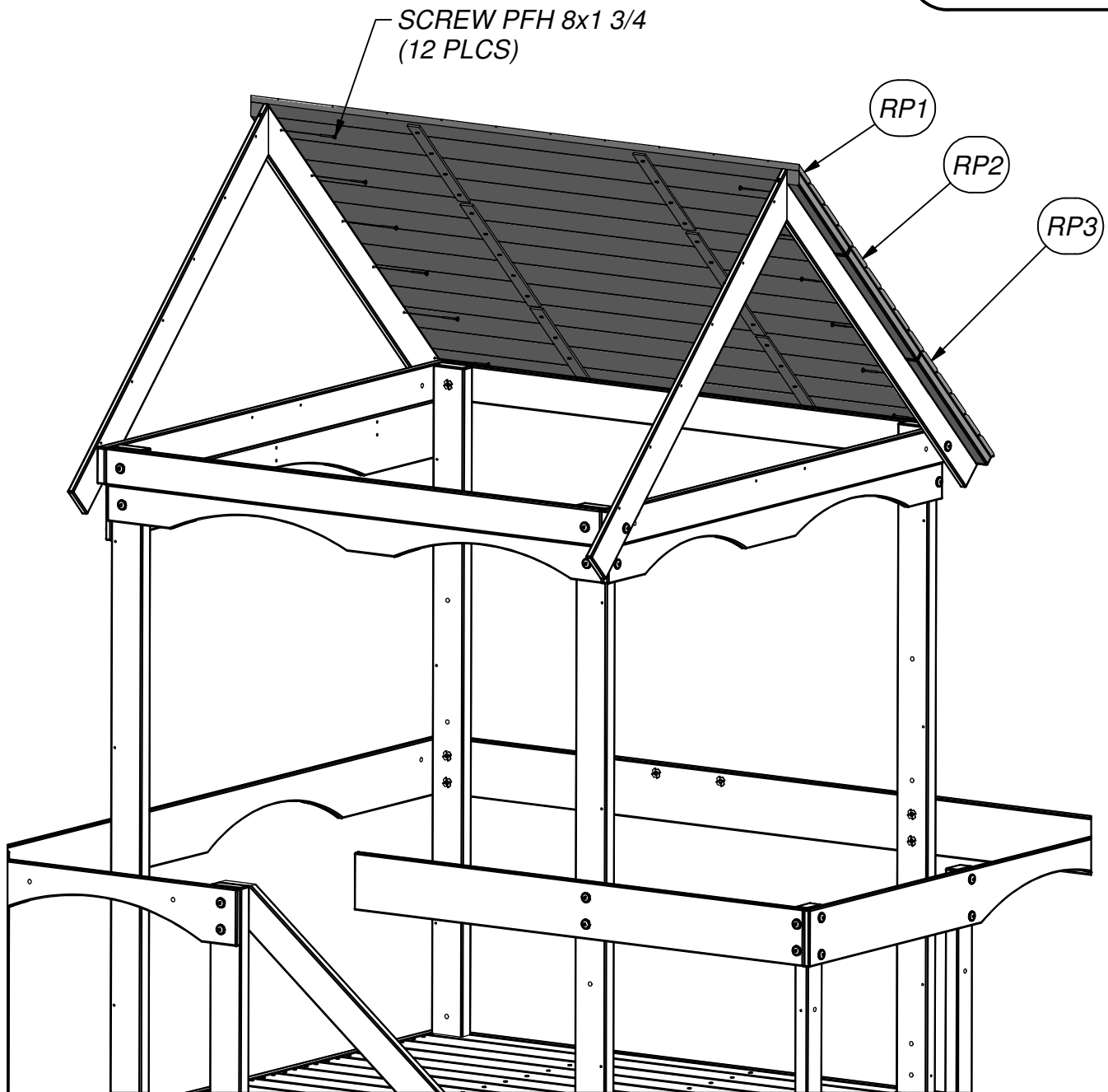
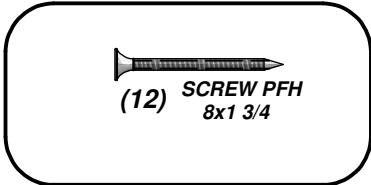


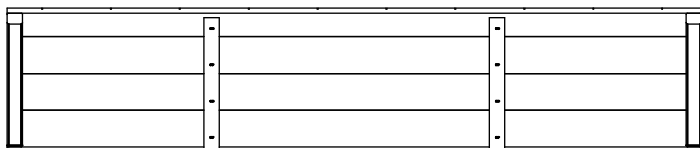
(1) **RP2 - ROOF PANEL - W2A01861**
1 3/8"x16 1/8"x59 1/2" (35x410x1532)



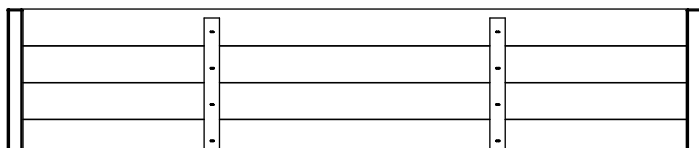
(1) **RP3 - ROOF PANEL - W2A01862**
1 3/8"x16 1/8"x59 1/2" (35x410x1532)

STEP 43





(1) **RP1 - ROOF PANEL - W2A01860**
1 3/8"x12 1/4"x59 1/2" (35x311x1532)



(1) **RP2 - ROOF PANEL - W2A01861**
1 3/8"x16 1/8"x59 1/2" (35x410x1532)

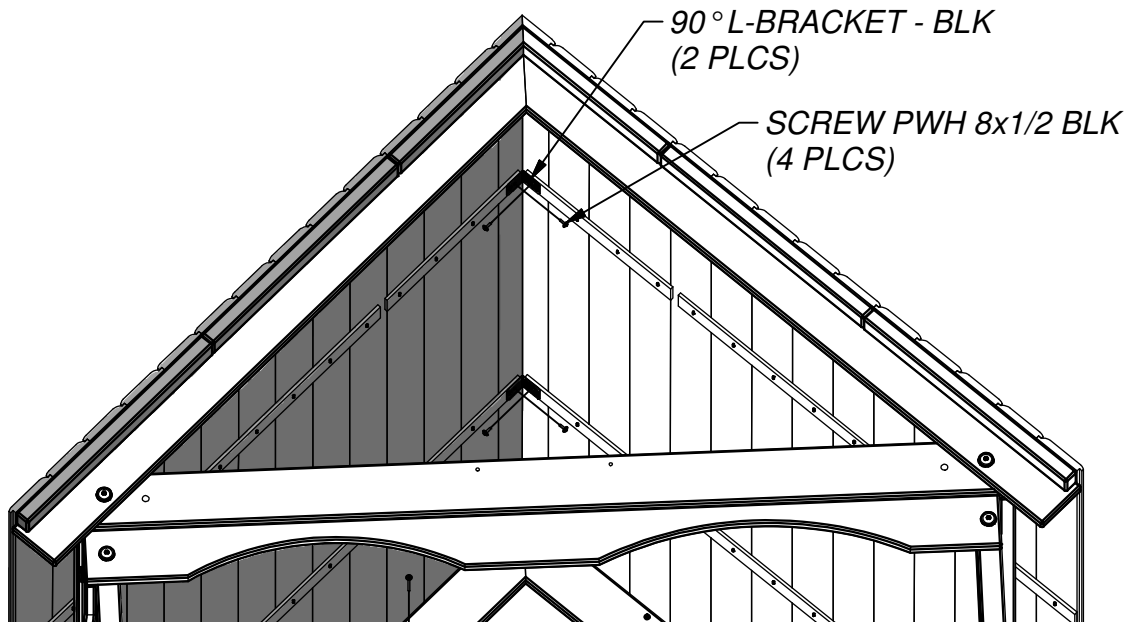
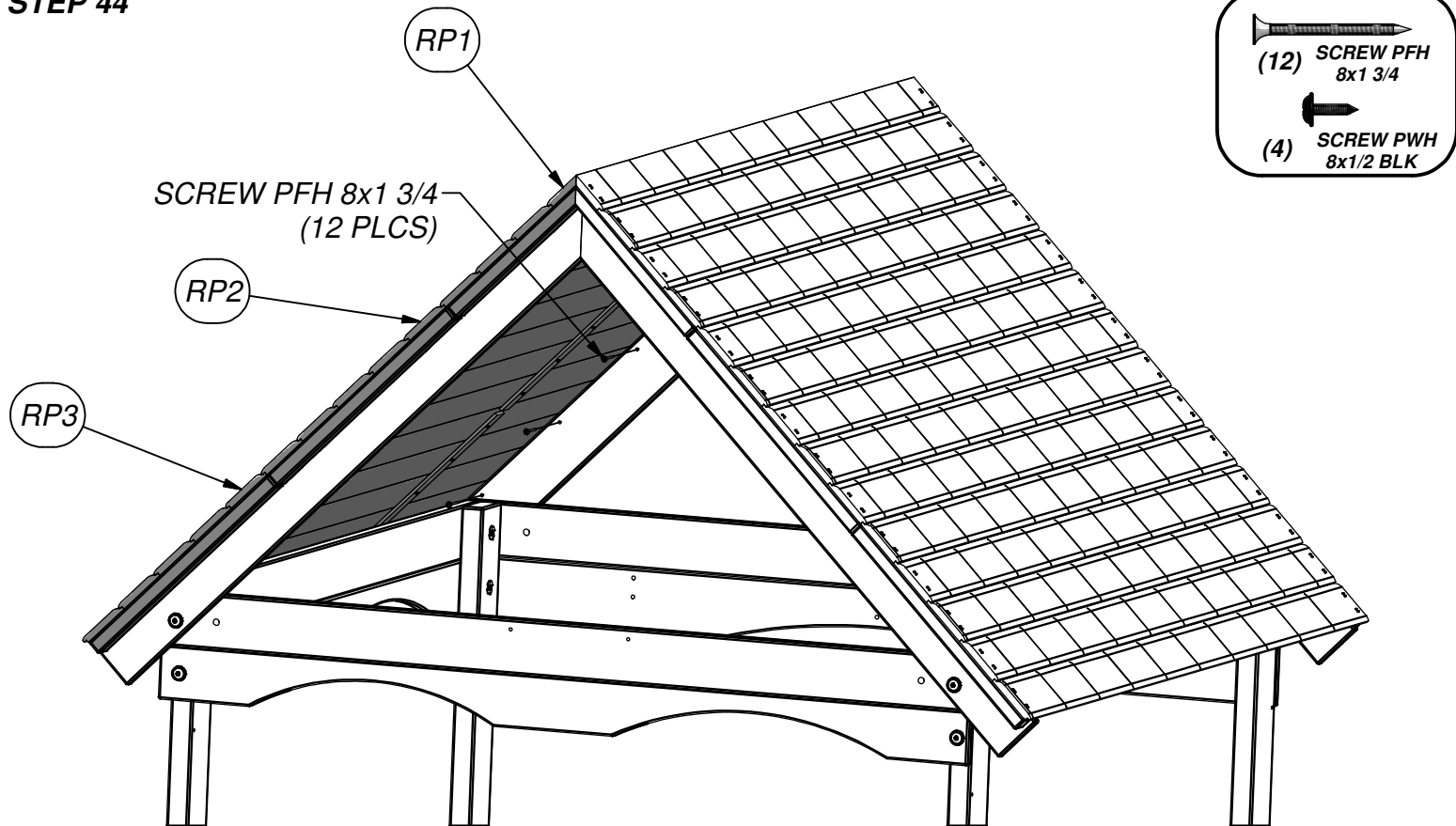


(1) **RP3 - ROOF PANEL - W2A01862**
1 3/8"x16 1/8"x59 1/2" (35x410x1532)



(2) **- 90° L-BRACKET - BLK - A4M00555**

STEP 44



(1) **K11 - HALF MOON PLATE - W4L06115**
 5/8"x5 1/4"x12 5/8" (16x134x320)

(2) **N6 - SUNBURST BOARD - W4L06117**
 5/8"x2 3/8"x15 7/8" (16x60x404)

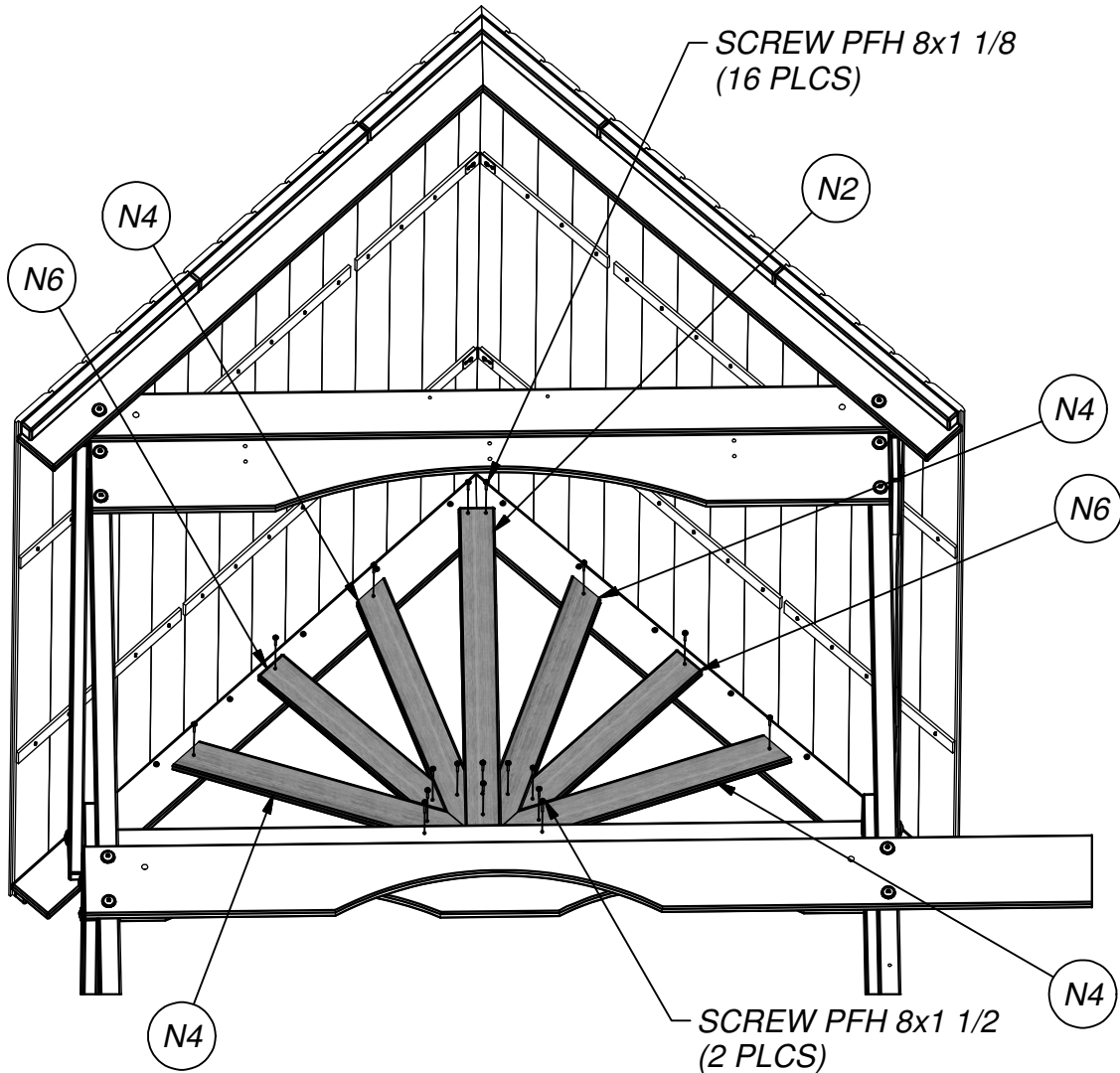
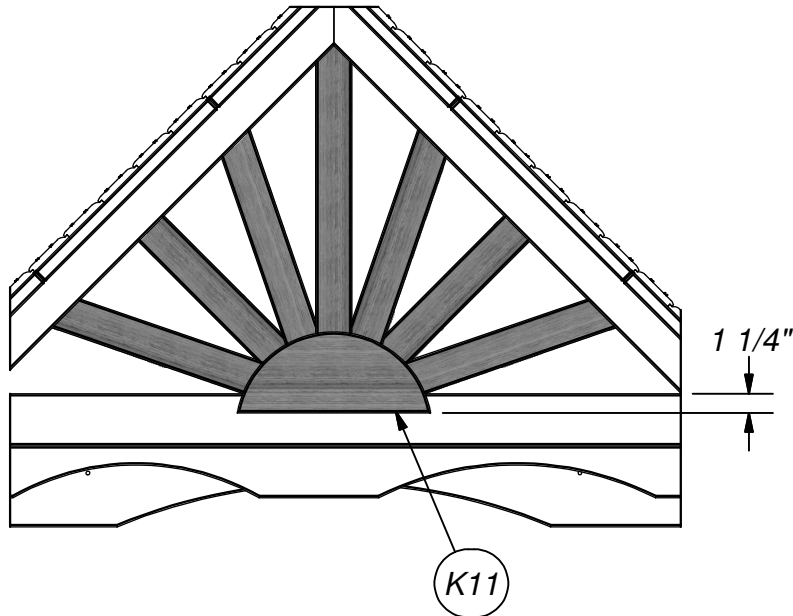
(1) **N2 - SUNBURST BOARD - W4L06116**
 5/8"x2 3/8"x24 3/8" (16x60x620)

(4) **N4 - SUNBURST BOARD - W4L06118**
 5/8"x2 3/8"x19 5/8" (16x60x500)

STEP 45

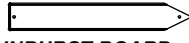
(16) **SCREW PFH**
 8x1 1/8

(2) **SCREW PFH**
 8x1 1/2

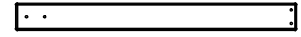




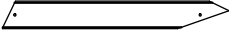
(1) **K11 - HALF MOON PLATE - W4L06115**
5/8"x5 1/4"x12 5/8" (16x134x320)



(2) **N6 - SUNBURST BOARD - W4L06117**
5/8"x2 3/8"x15 7/8" (16x60x404)



(1) **N2 - SUNBURST BOARD - W4L06116**
5/8"x2 3/8"x24 3/8" (16x60x620)

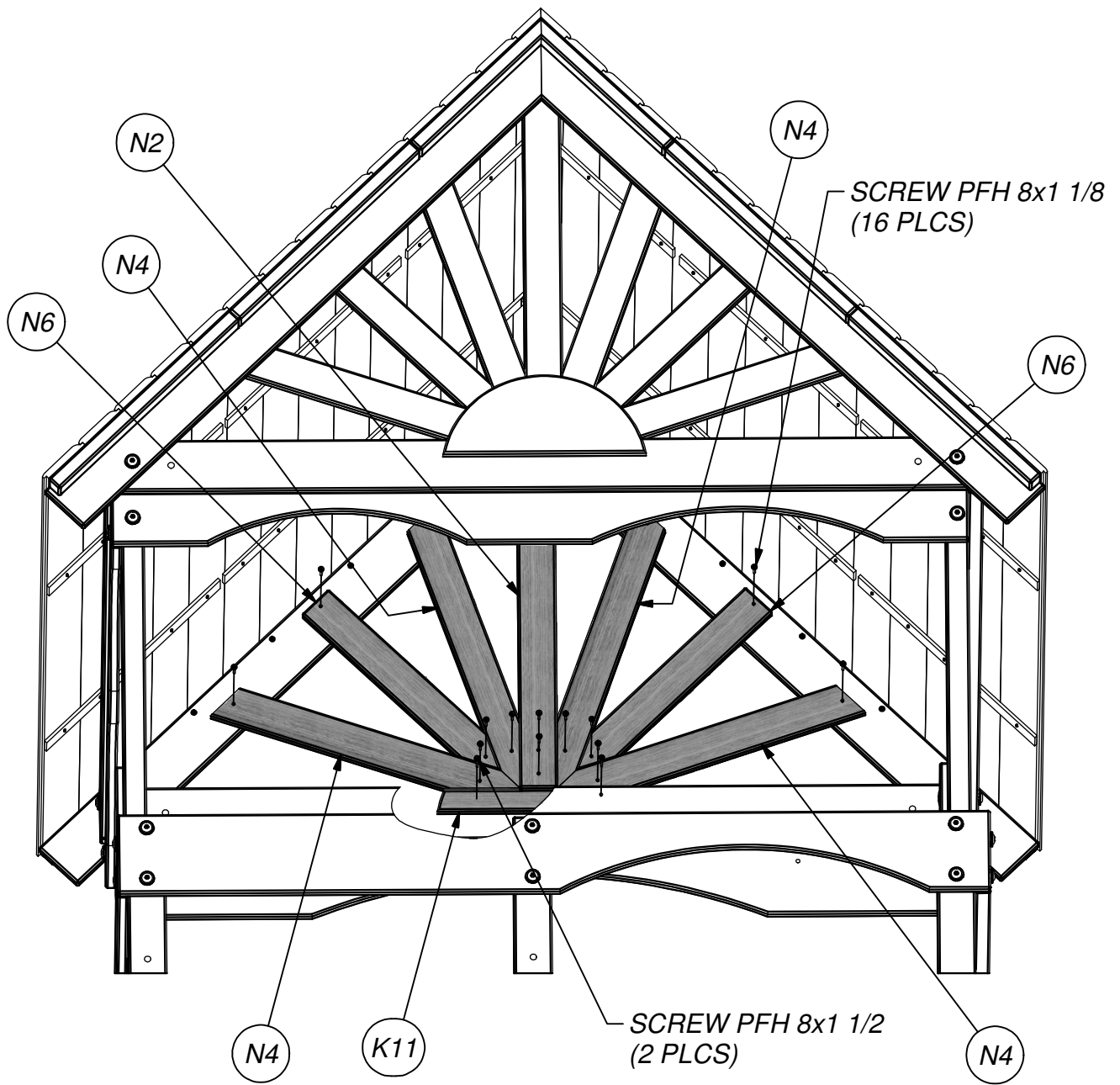


(4) **N4 - SUNBURST BOARD - W4L06118**
5/8"x2 3/8"x19 5/8" (16x60x500)

STEP 46

(16) **SCREW PFH 8x1 1/8**

(2) **SCREW PFH 8x1 1/2**

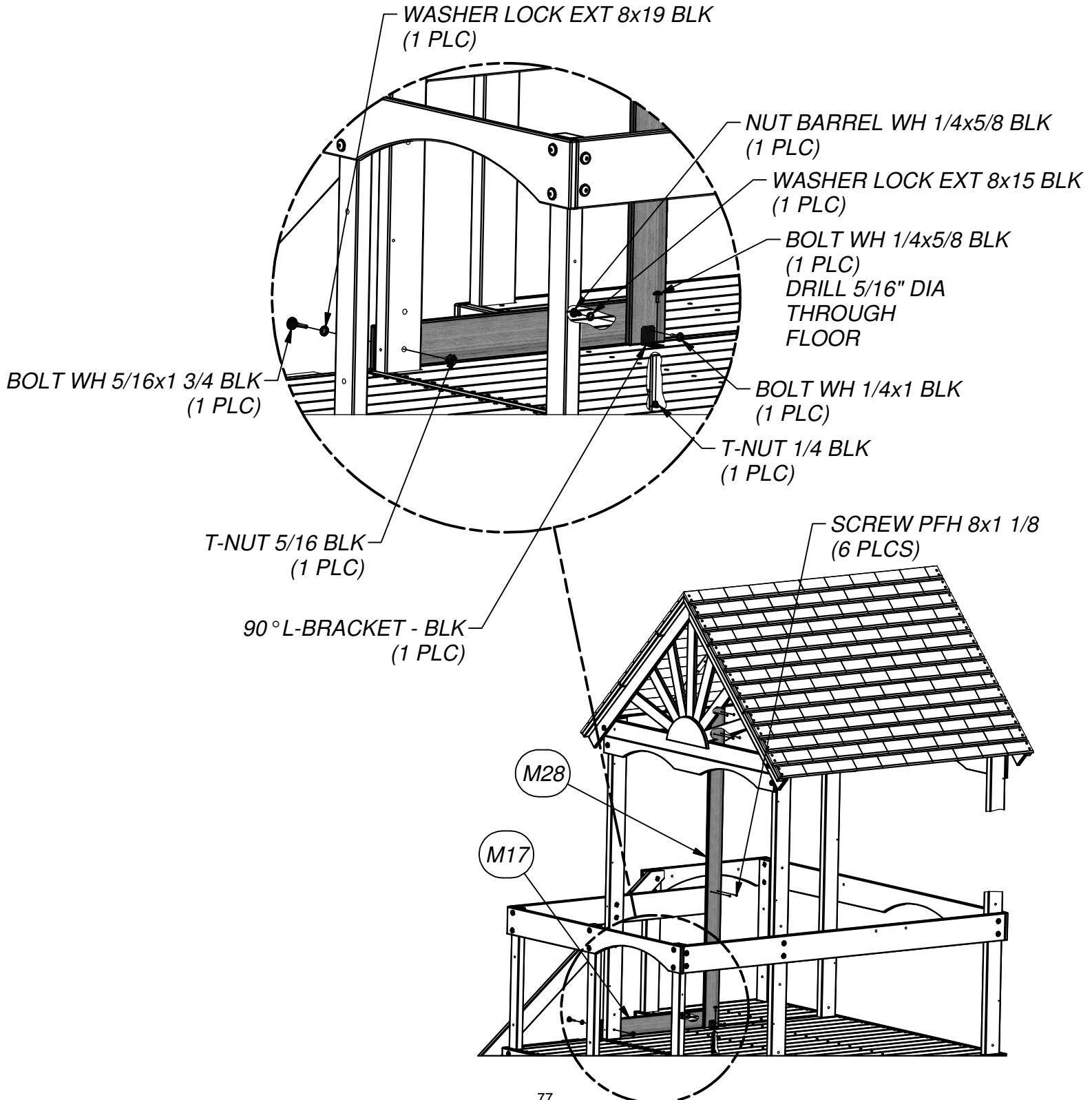
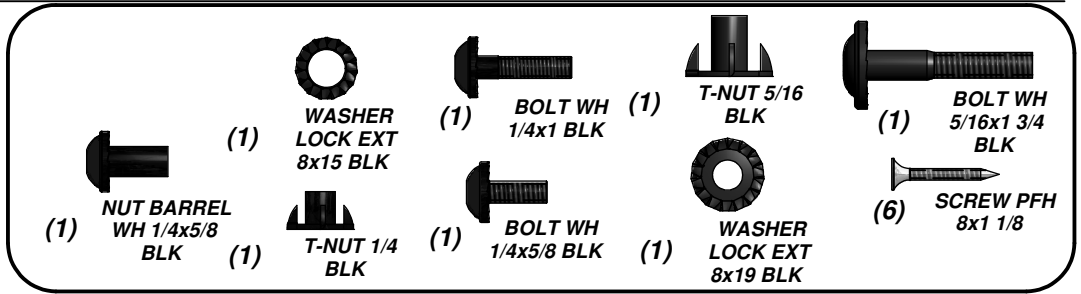


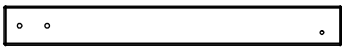
(1) M28 - WALL BOARD - W4L06180
5/8"x3 3/8"x61 1/4" (16x86x1557)

(1) M17 - WALL RAIL - W4L06094
5/8"x3 3/8"x27 1/4" (16x86x692)

(1) - 90° L-BRACKET - BLK - A4M00555

STEP 47

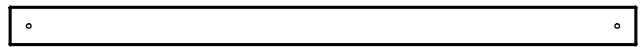




(1) M13 - WALL RAIL - W4L06112
5/8"x3 3/8"x29 1/4" (16x86x744)

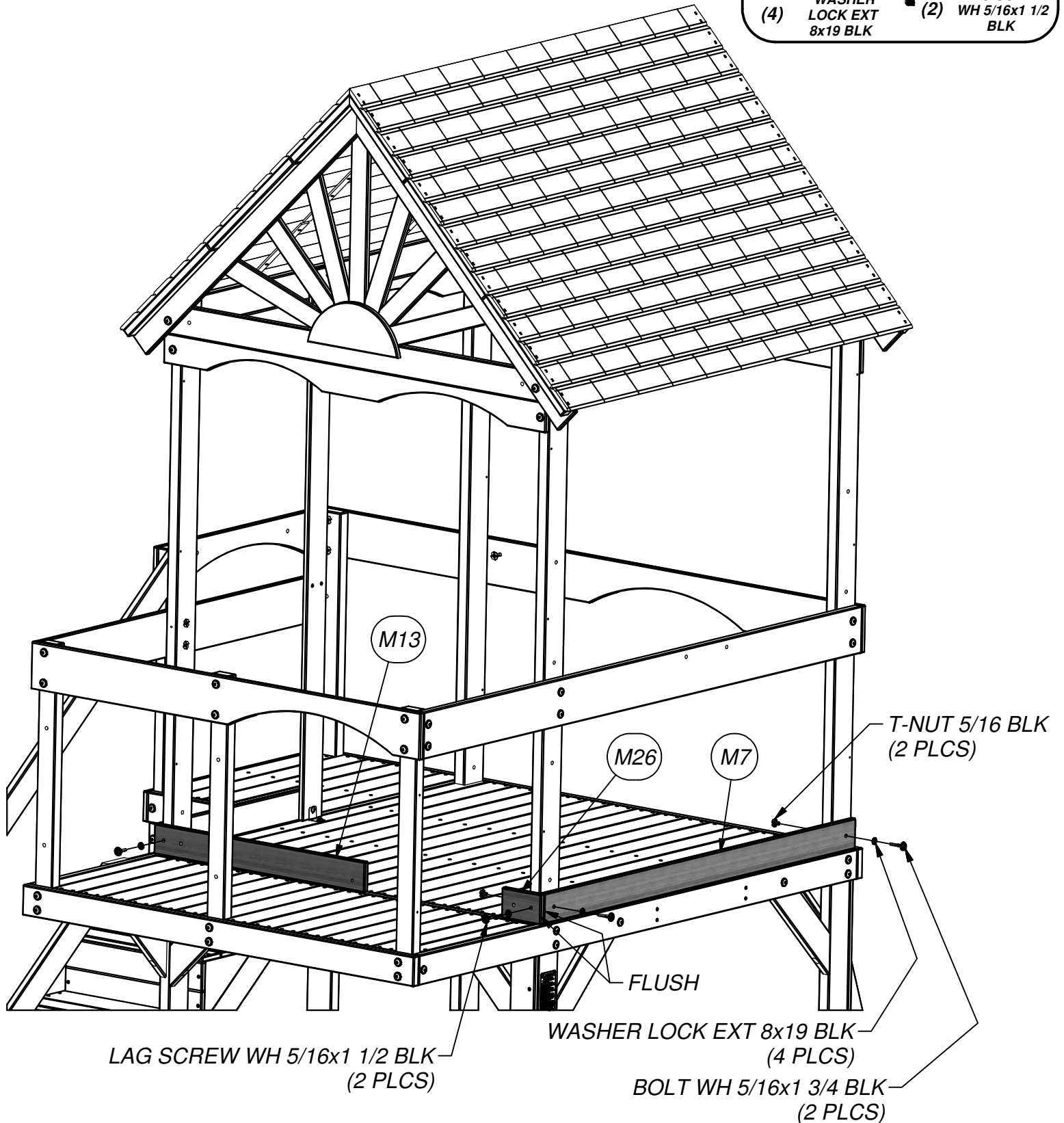
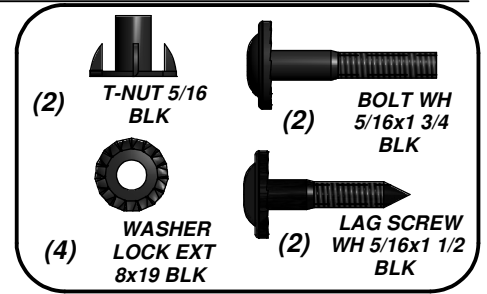


(1) M26 - WALL RAIL - W4L06110
5/8"x3 3/8"x5 3/8" (16x86x138)



(1) M7 - WALL RAIL - W4L06087
5/8"x3 3/8"x54 1/2" (16x86x1384)

STEP 48



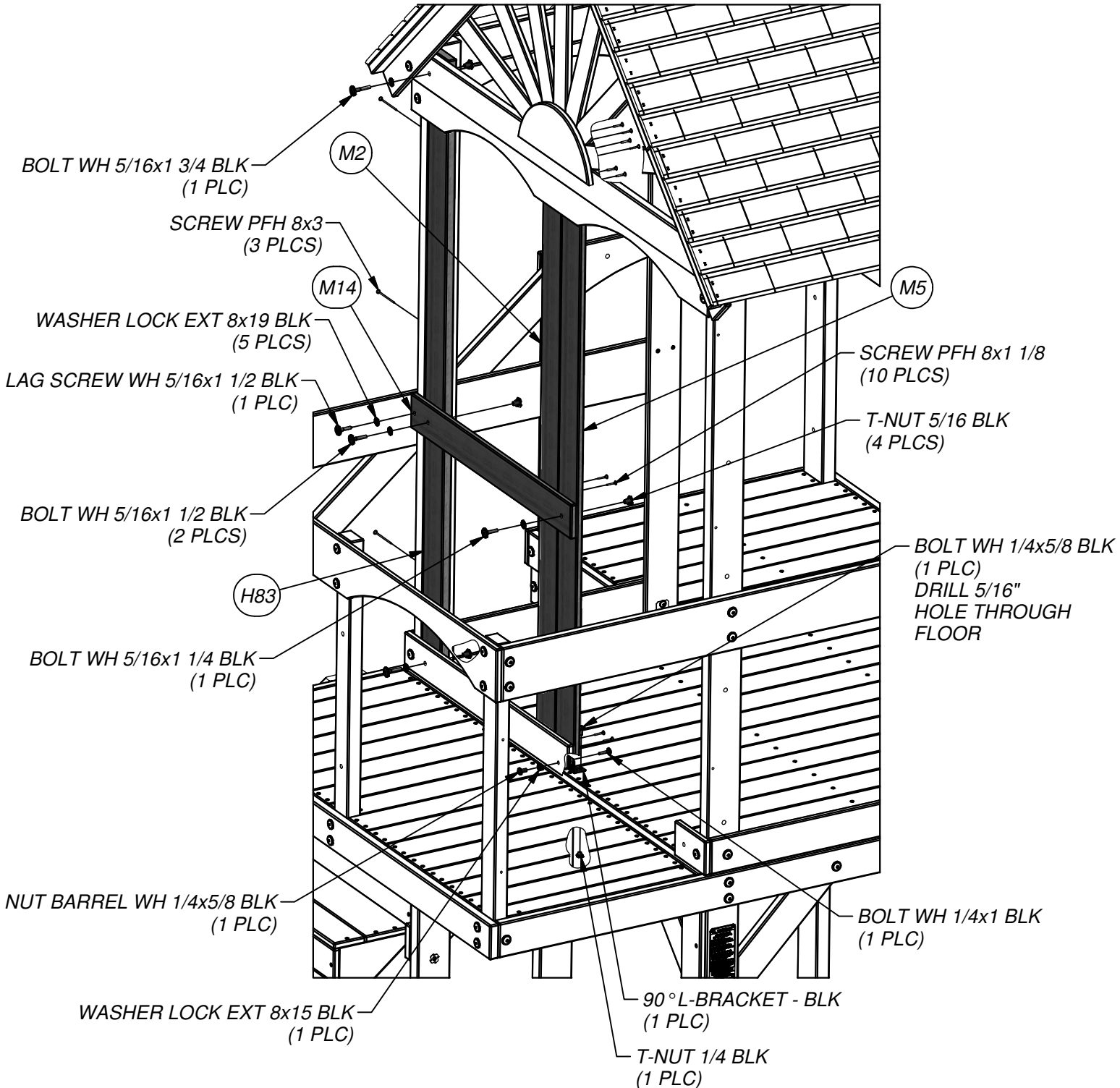
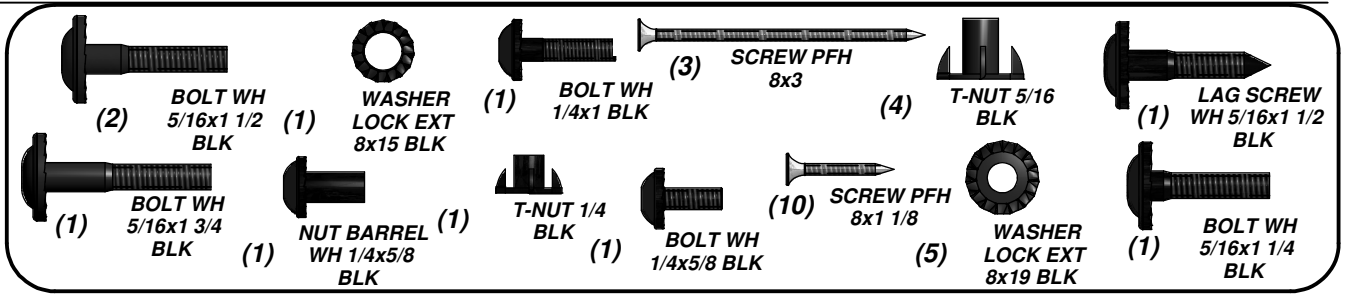
(1) -90° L-BRACKET - BLK - A4M00555 (1) M14 - WALL RAIL - W4L06113
5/8"x3 3/8"x28 5/8" (16x86x728)

(1) M2 - WALL BOARD - W4L06097
5/8"x3 3/8"x61 1/4" (16x86x1557)

(1) H83 - WALL BOARD - W4L06182
1"x3 3/8"x61 1/4" (24x86x1557)

(1) M5 - WALL BOARD - W4L06111
5/8"x3 3/8"x61 1/4" (16x86x1557)

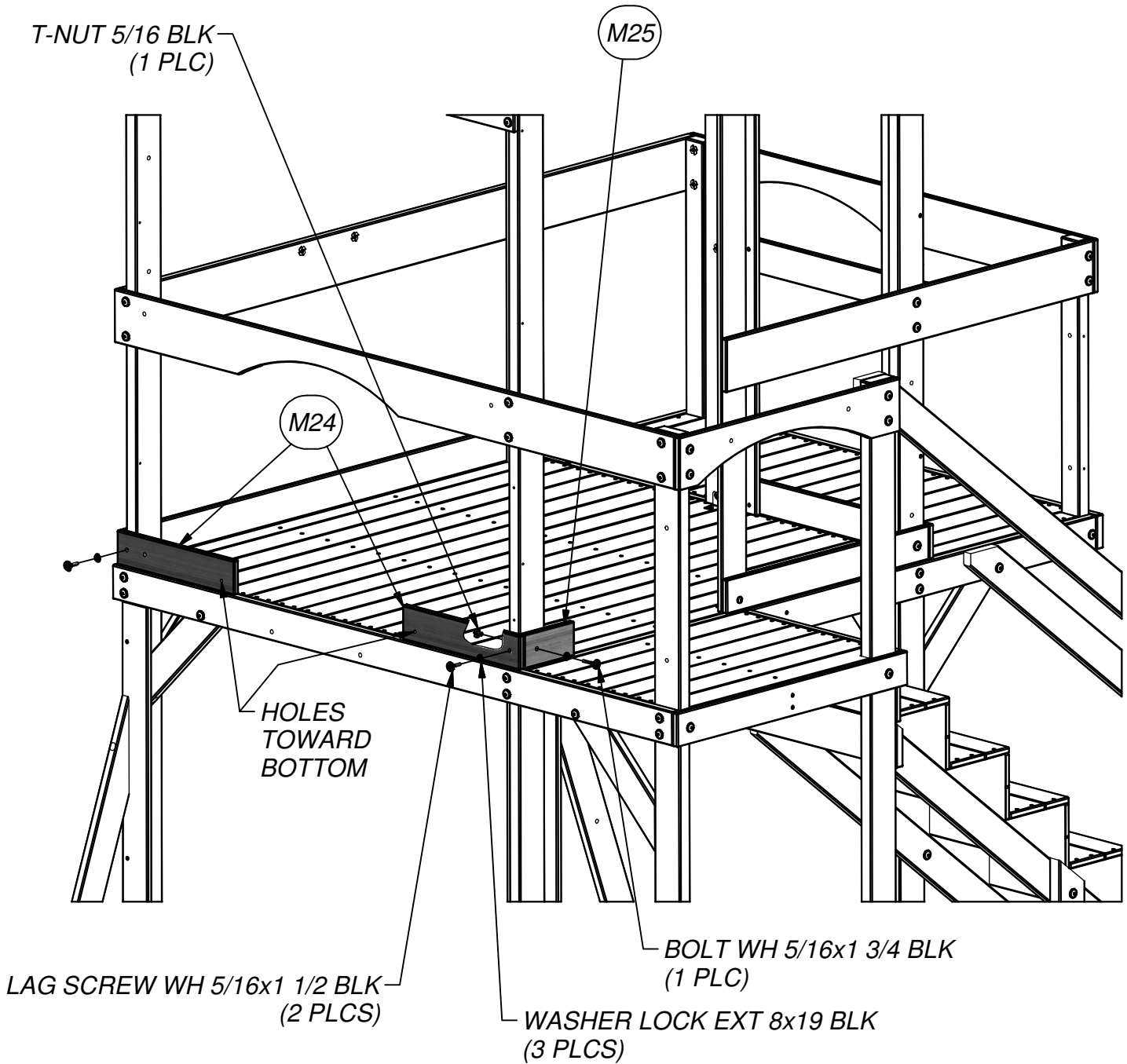
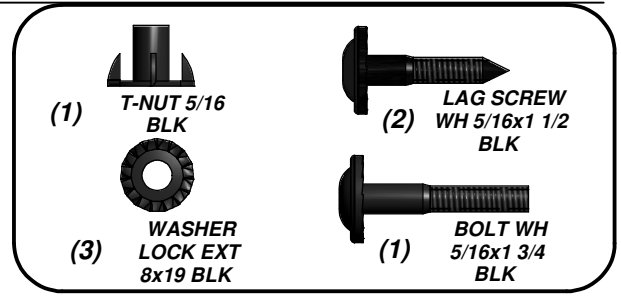
STEP 49



(2) **M24 - WALL RAIL - W4L06107**
 5/8"x3 3/8"x15 5/8" (16x86x398)

(1) **M25 - WALL RAIL - W4L06098**
 5/8"x3 3/8"x6 3/4" (16x86x172)

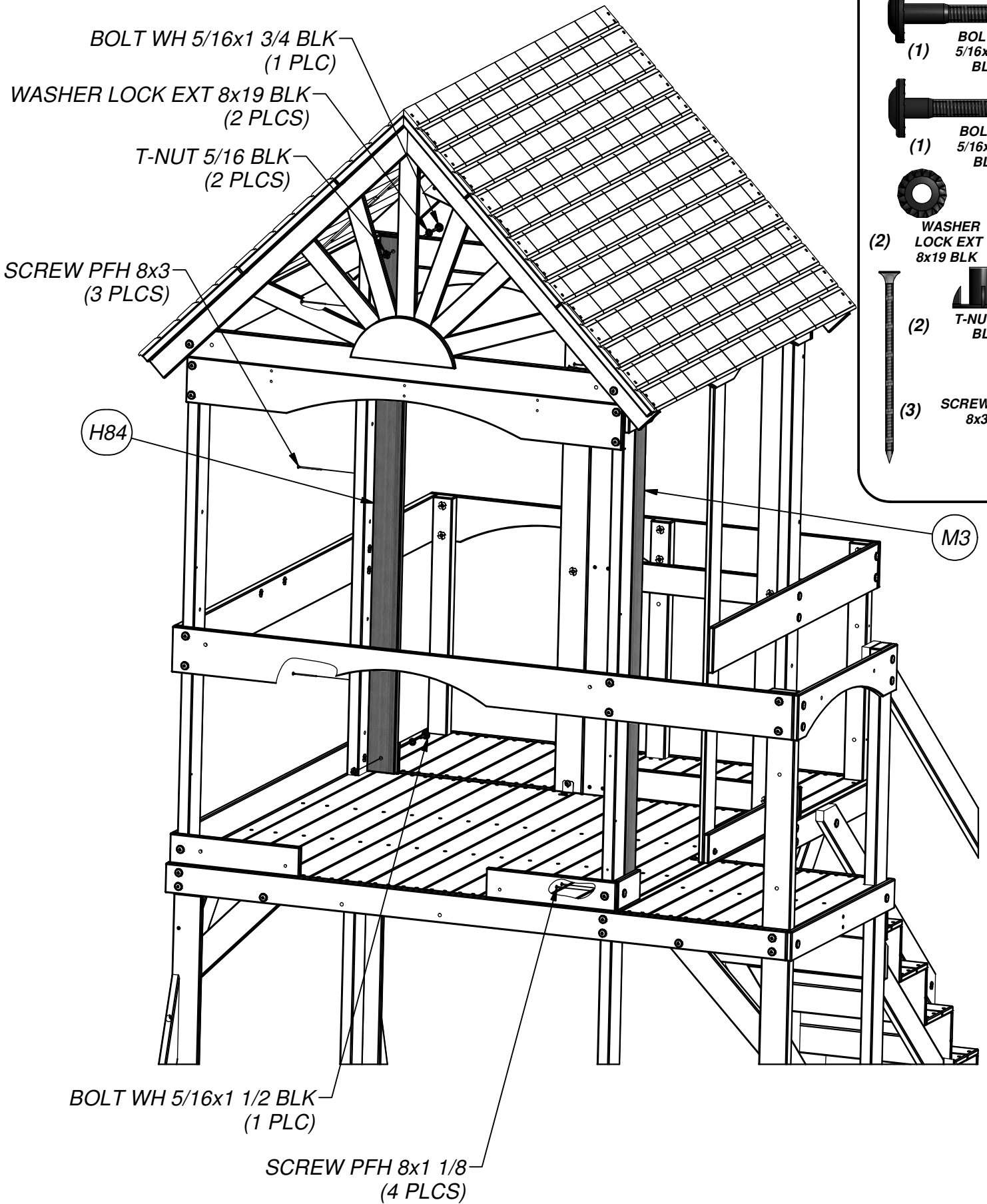
STEP 50



(1) **H84 - WALL BOARD - W4L06183**
1"x3 3/8"x61 1/4" (24x86x1557)

(1) **M3 - WALL BOARD - W4L06099**
5/8"x3 3/8"x61 1/4" (16x86x1557)

STEP 51

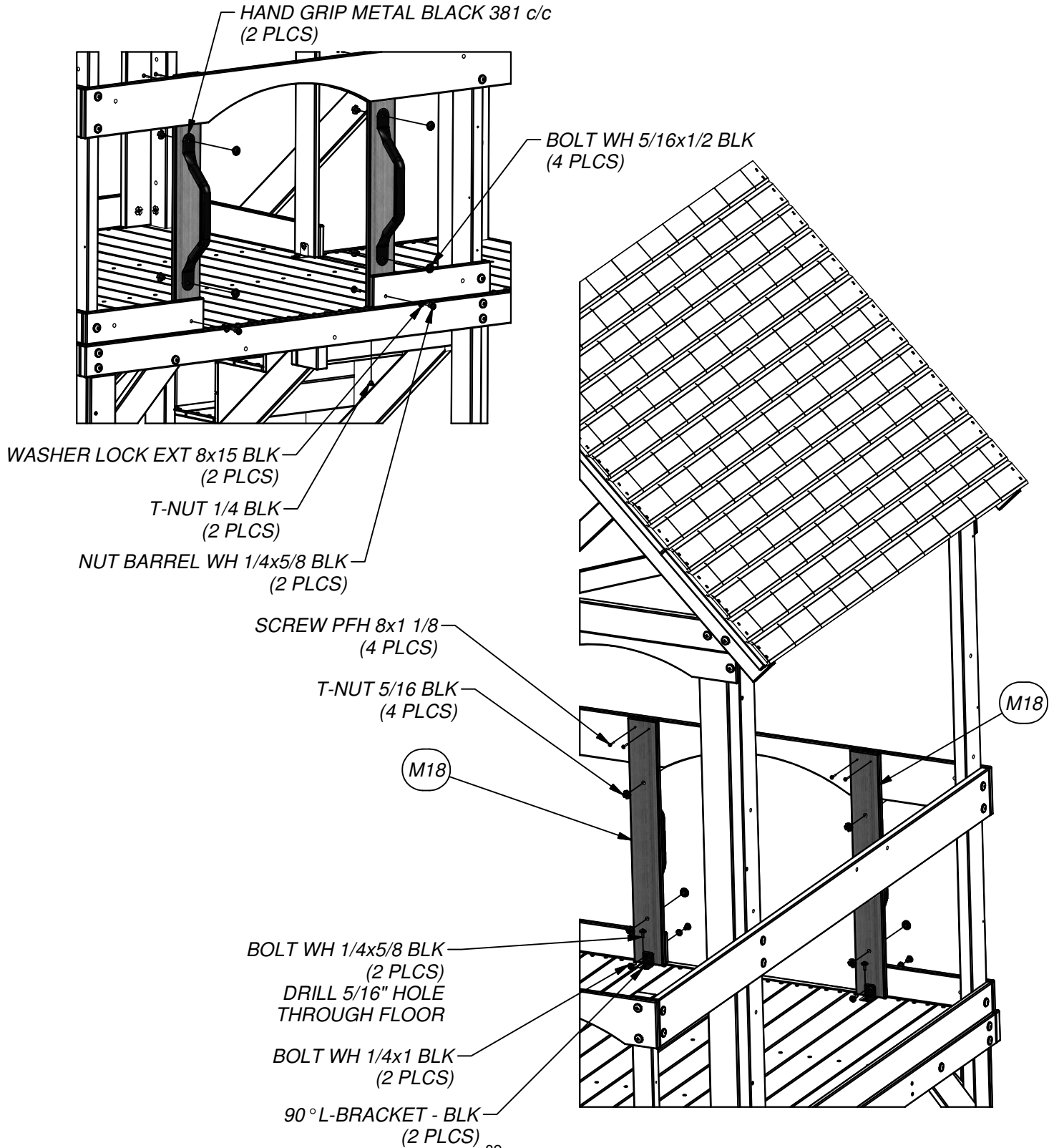
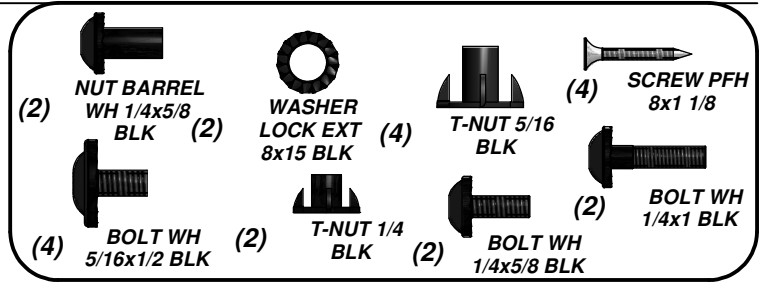


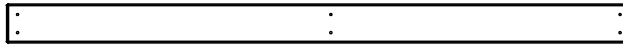
(2) - 90° L-BRACKET - BLK - A4M00555

(2) - HAND GRIP METAL BLACK 381 c/c - A4M00613

(2) M18 - WALL BOARD - W4L06108
5/8"x3 3/8"x27" (16x86x686)

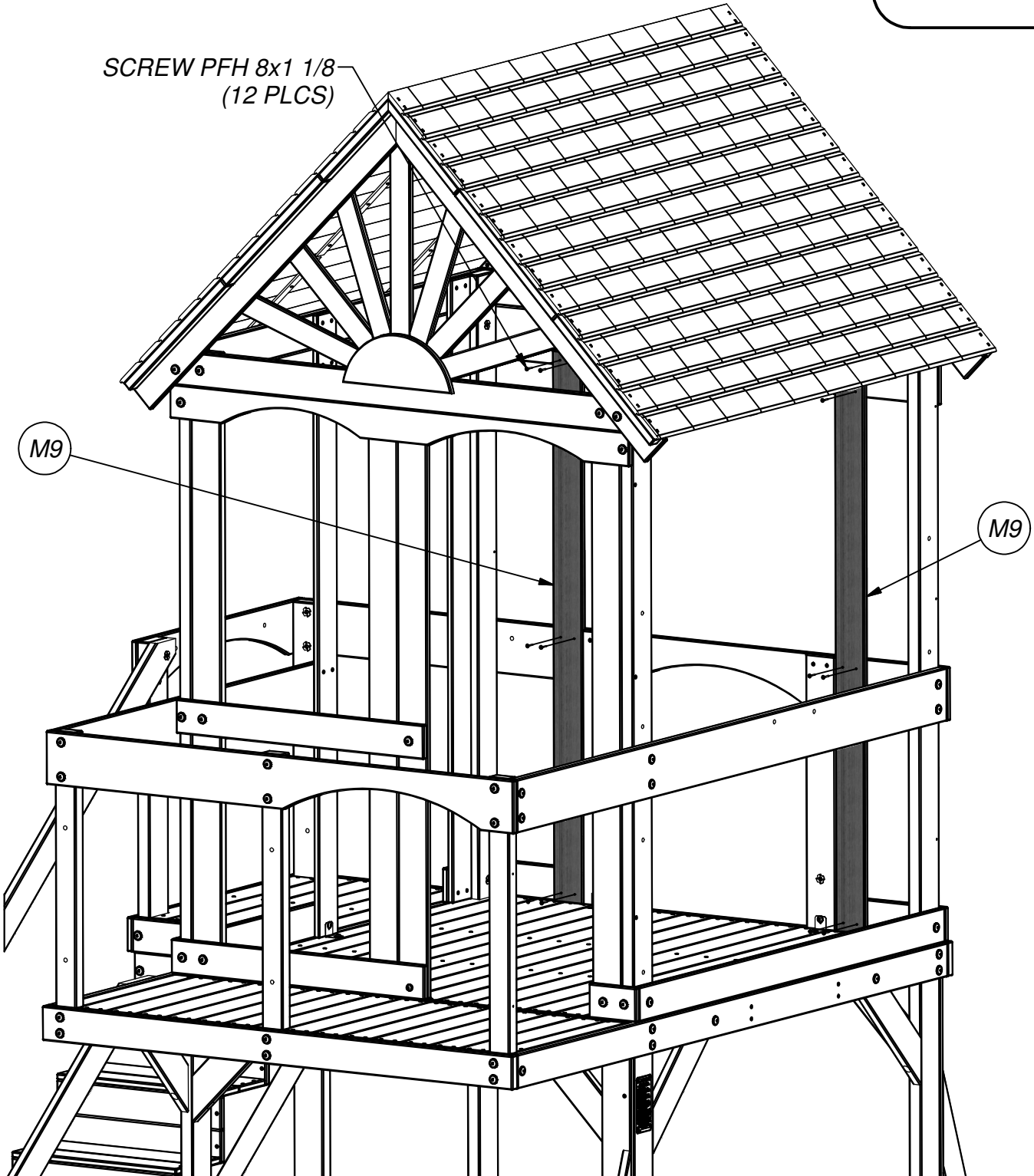
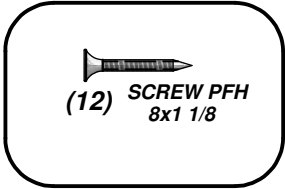
STEP 52





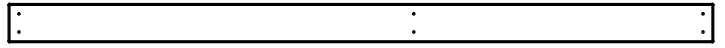
(2) **M9 - WALL BOARD - W4L06148**
5/8"x3 3/8"x54 1/4" (16x86x1377)

STEP 53



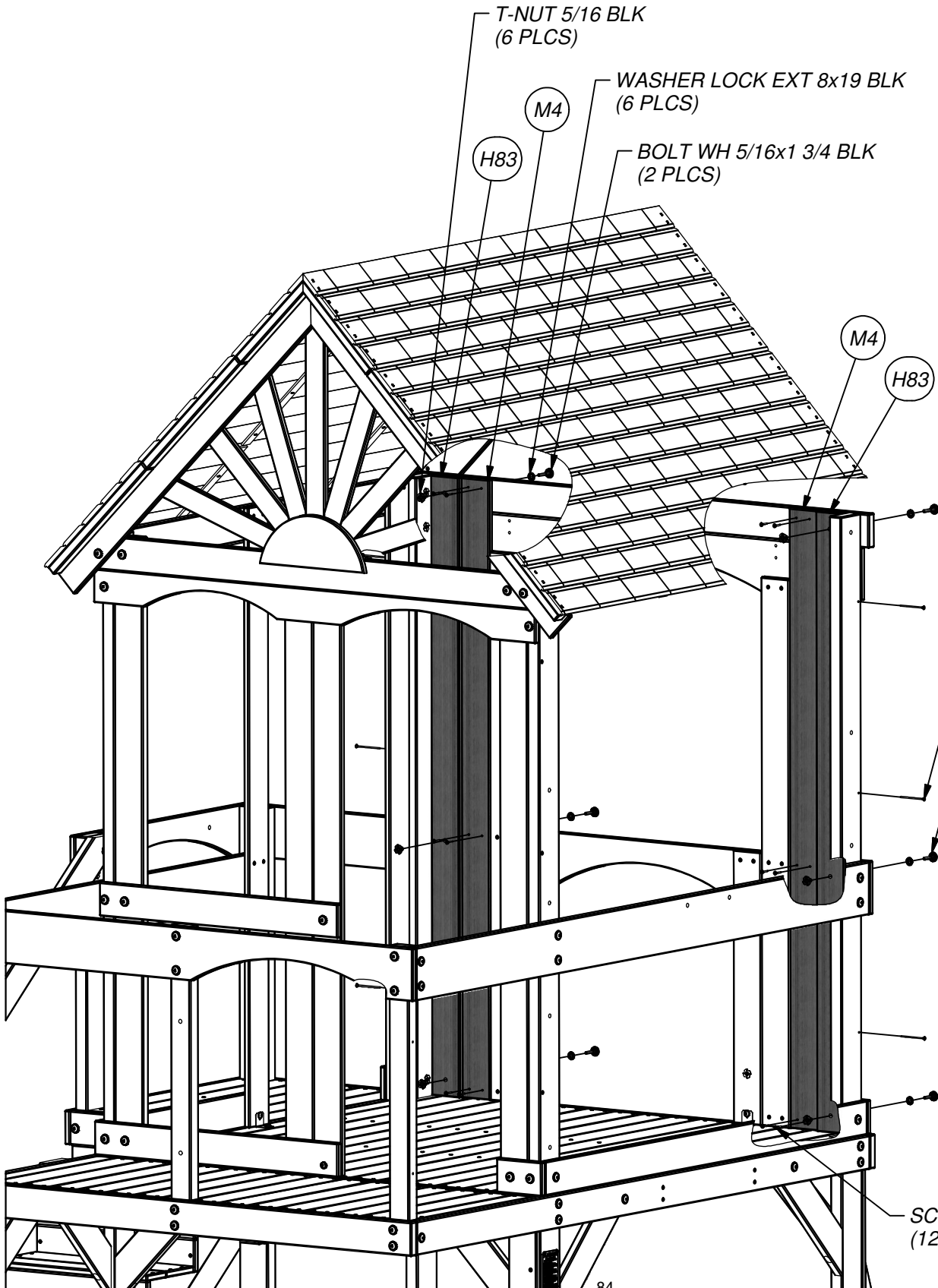


(2) **H83 - WALL BOARD - W4L06182**
1"x3 3/8"x61 1/4" (24x86x1557)



(2) **M4 - WALL BOARD - W4L06109**
5/8"x3 3/8"x61 1/4" (16x86x1557)

STEP 54



(12) SCREW PFH 8x1 1/8

(2) BOLT WH 5/16x1 3/4 BLK

(4) BOLT WH 5/16x1 1/2 BLK

(6) WASHER LOCK EXT 8x19 BLK

(6) T-NUT 5/16 BLK

(6) SCREW PFH 8x3

SCREW PFH 8x3 (6 PLCS)

BOLT WH 5/16x1 1/2 BLK (4 PLCS)

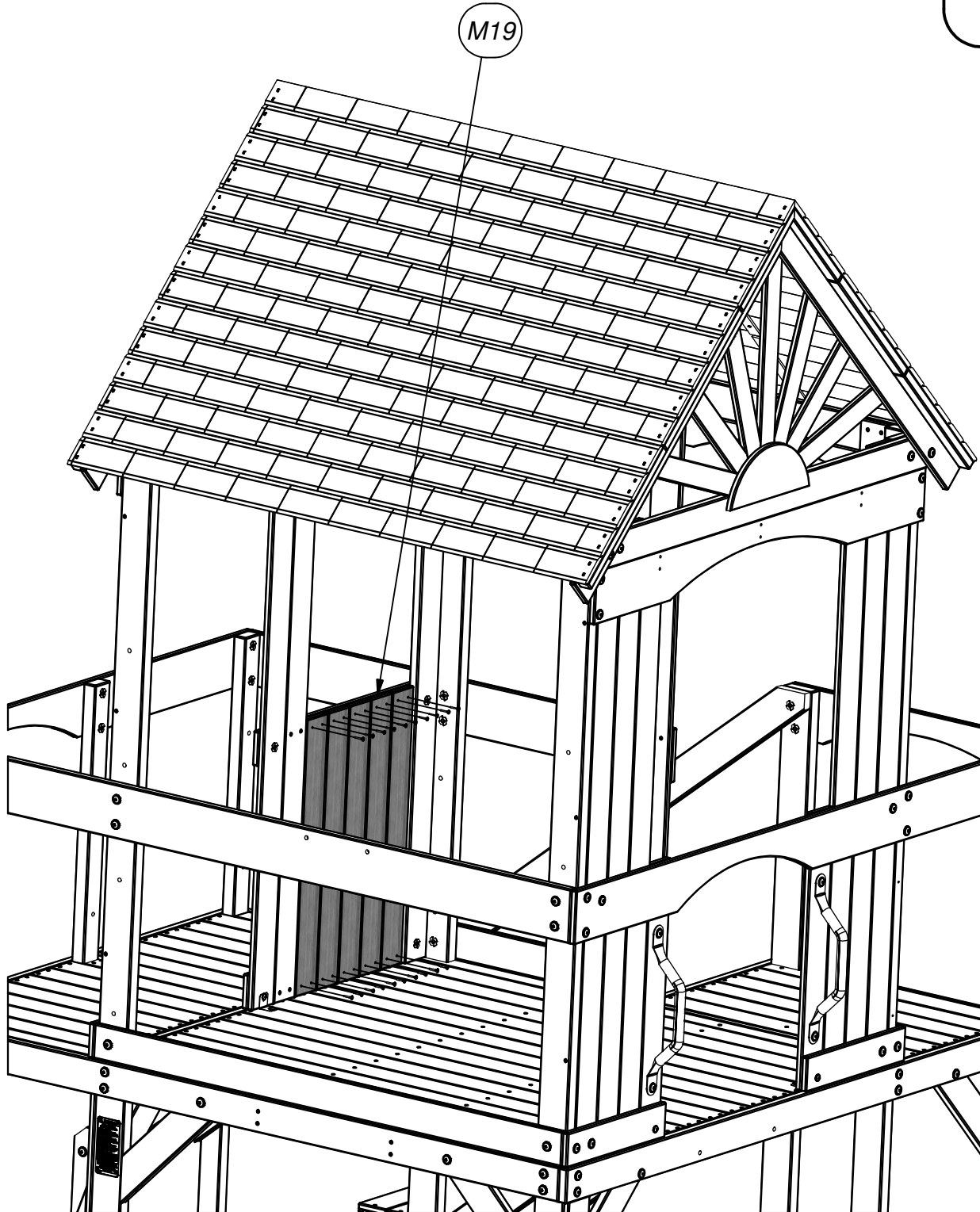
SCREW PFH 8x1 1/8 (12 PLCS)



- (5) M19 - WALL BOARD - W4L06096
5/8"x3 3/8"x27" (16x86x686)

STEP 55

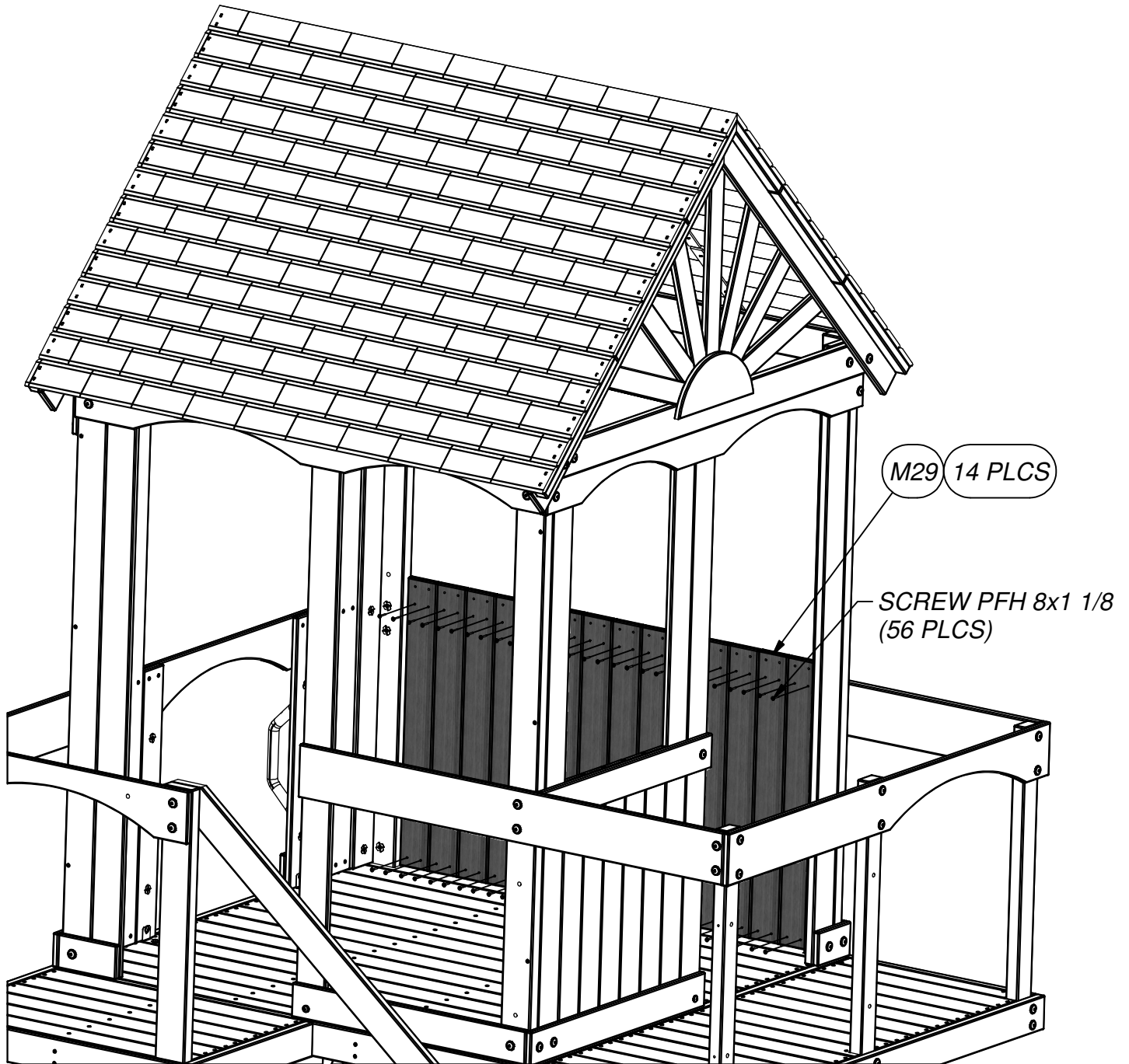
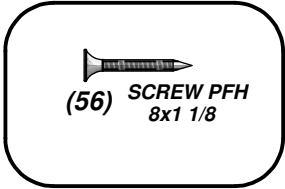

(20) SCREW PFH
8x1 1/8





(14) M29 - WALL BOARD - W4L06181
5/8"x3 3/8"x28 5/8" (16x86x726)

STEP 56

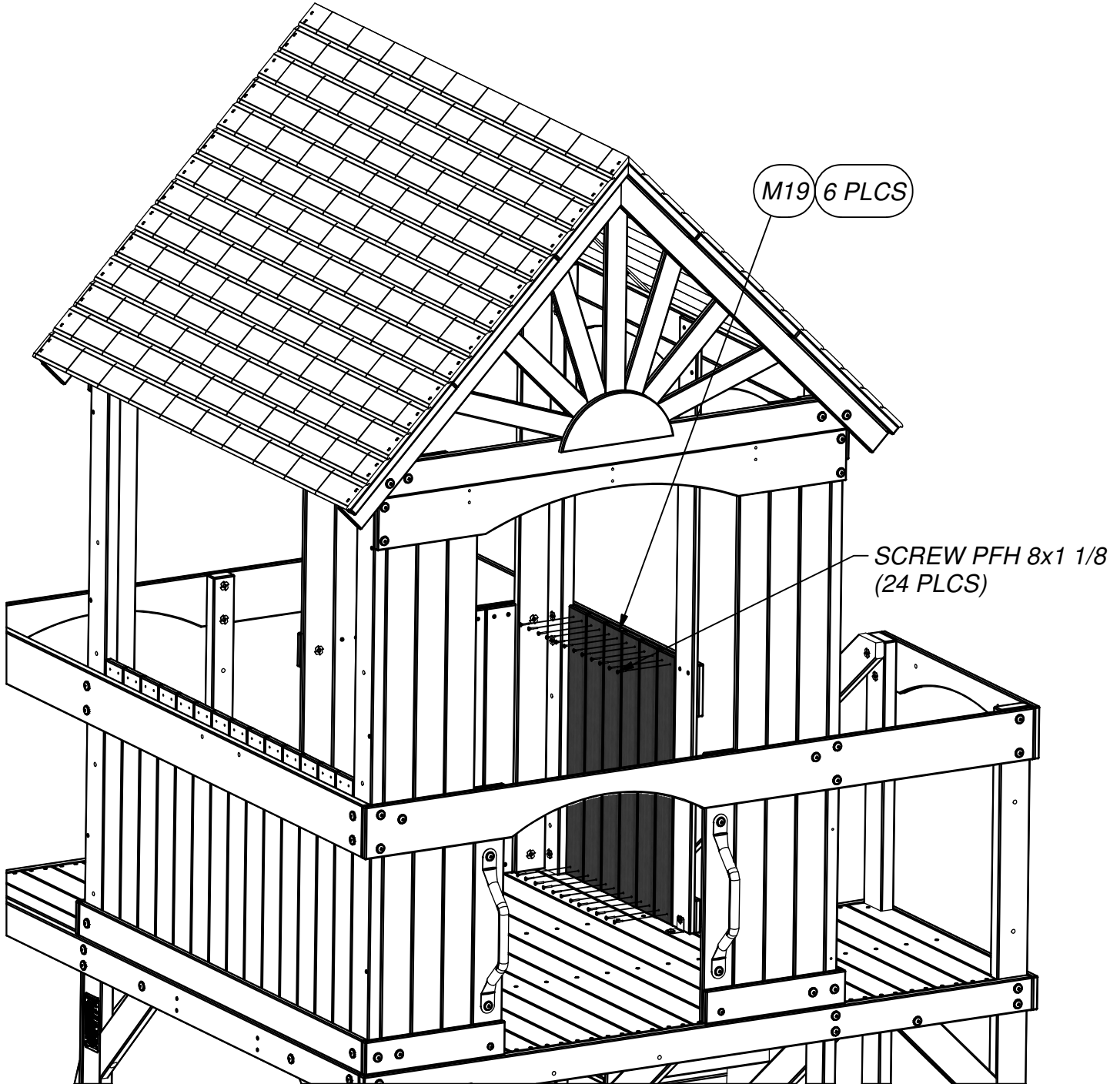




(6) M19 - WALL BOARD - W4L06096
5/8"x3 3/8"x27" (16x86x686)

STEP 57


(24) SCREW PFH
8x1 1/8

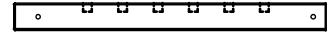




(1) **J7 - WALL RAIL - W4L06050**
1"x2 3/8"x22 3/4" (24x60x579)

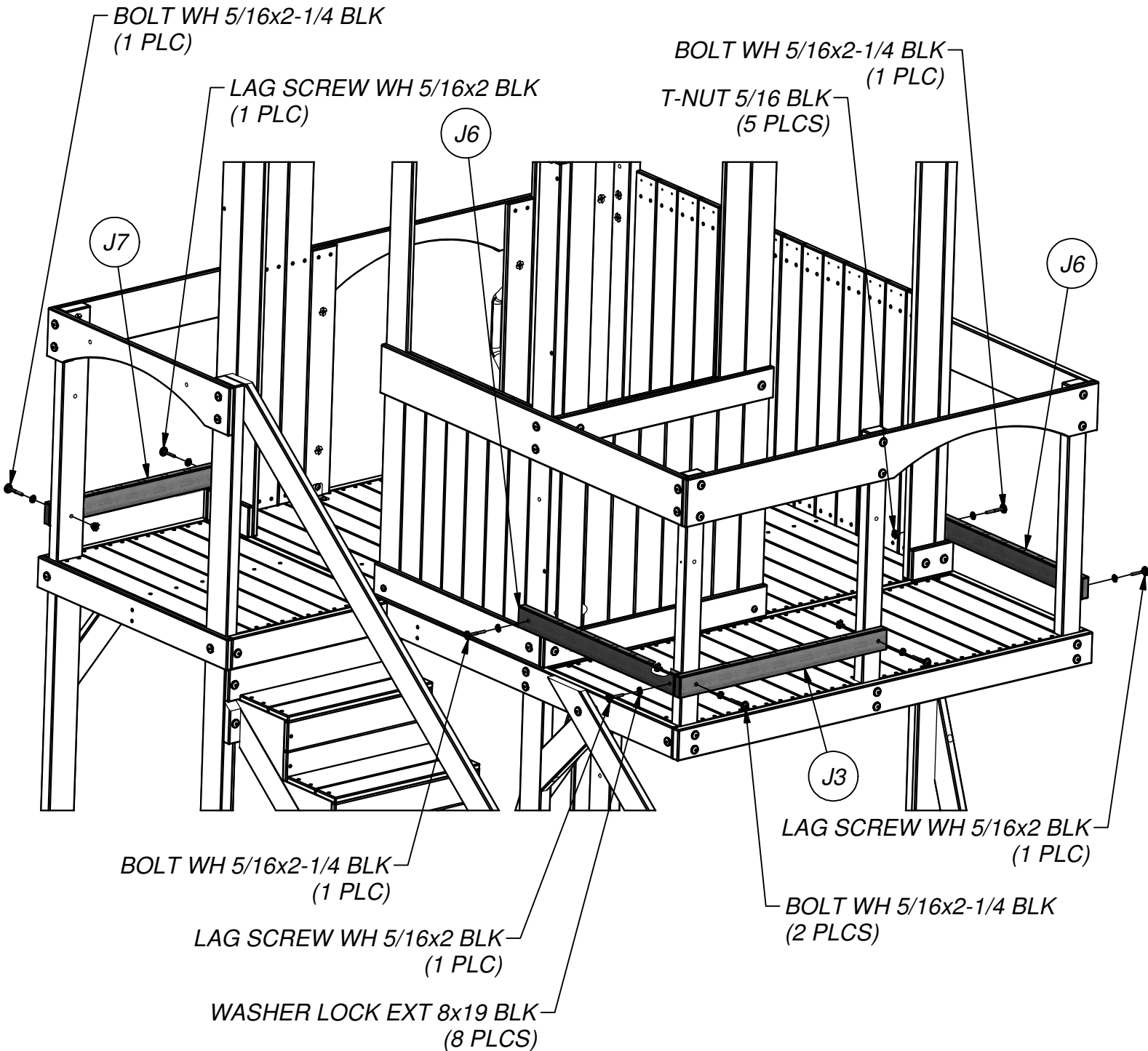
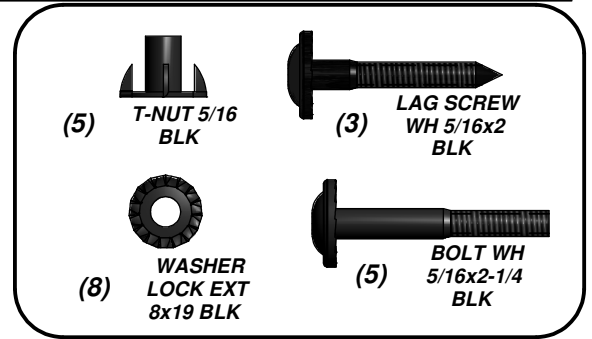


(2) **J6 - WALL RAIL - W4L06089**
1"x2 3/8"x25 5/8" (24x60x650)



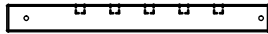
(1) **J3 - WALL RAIL - W4L06092**
1"x2 3/8"x27 1/4" (24x60x691)

STEP 58

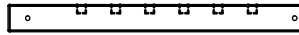


STEP 59

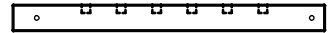




(1) **J7 - WALL RAIL - W4L06050**
1"x2 3/8"x22 3/4" (24x60x579)

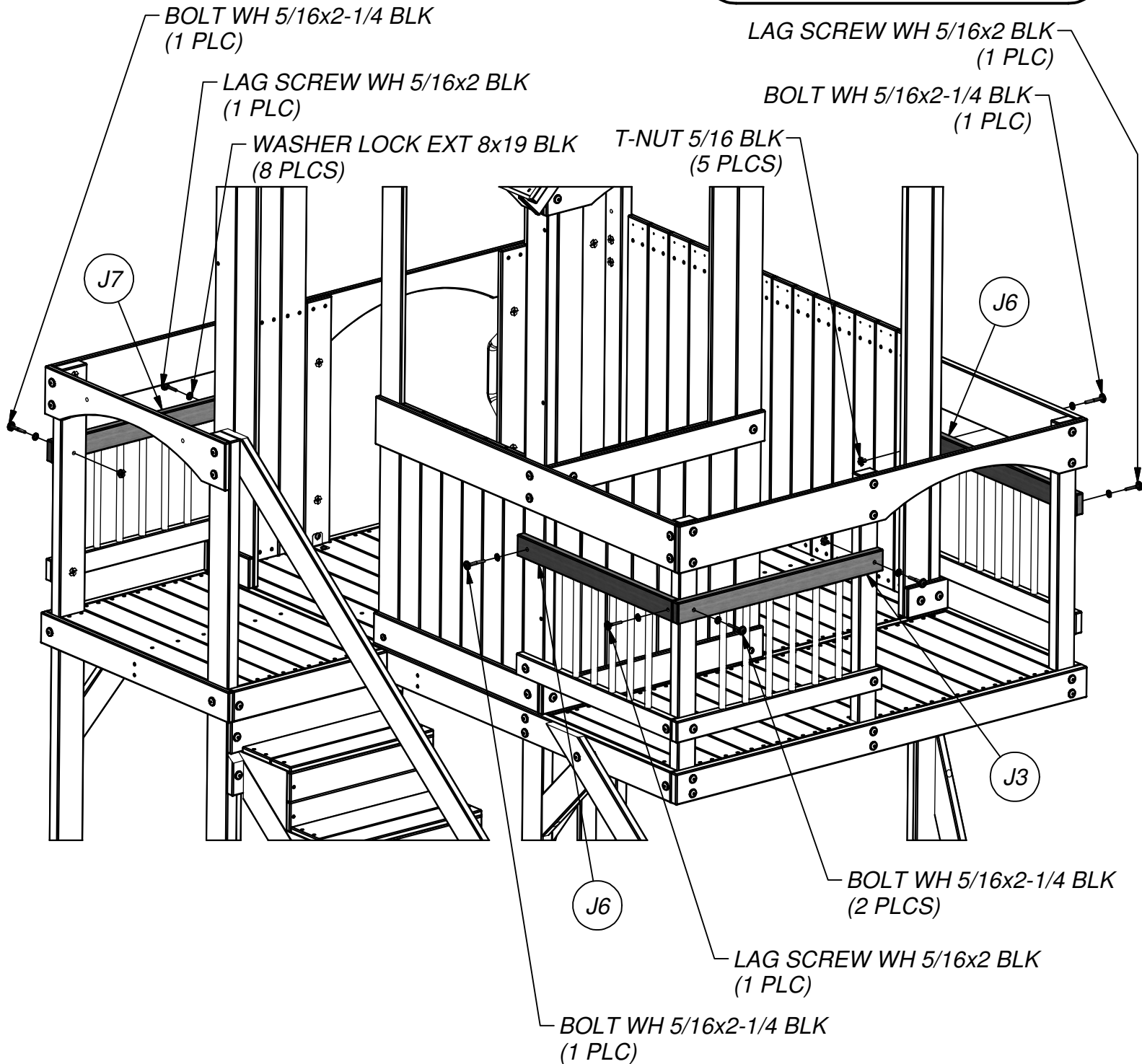
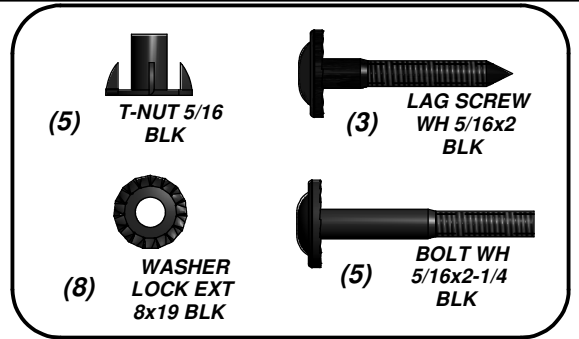


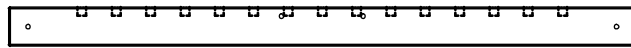
(2) **J6 - WALL RAIL - W4L06089**
1"x2 3/8"x25 5/8" (24x60x650)



(1) **J3 - WALL RAIL - W4L06092**
1"x2 3/8"x27 1/4" (24x60x691)

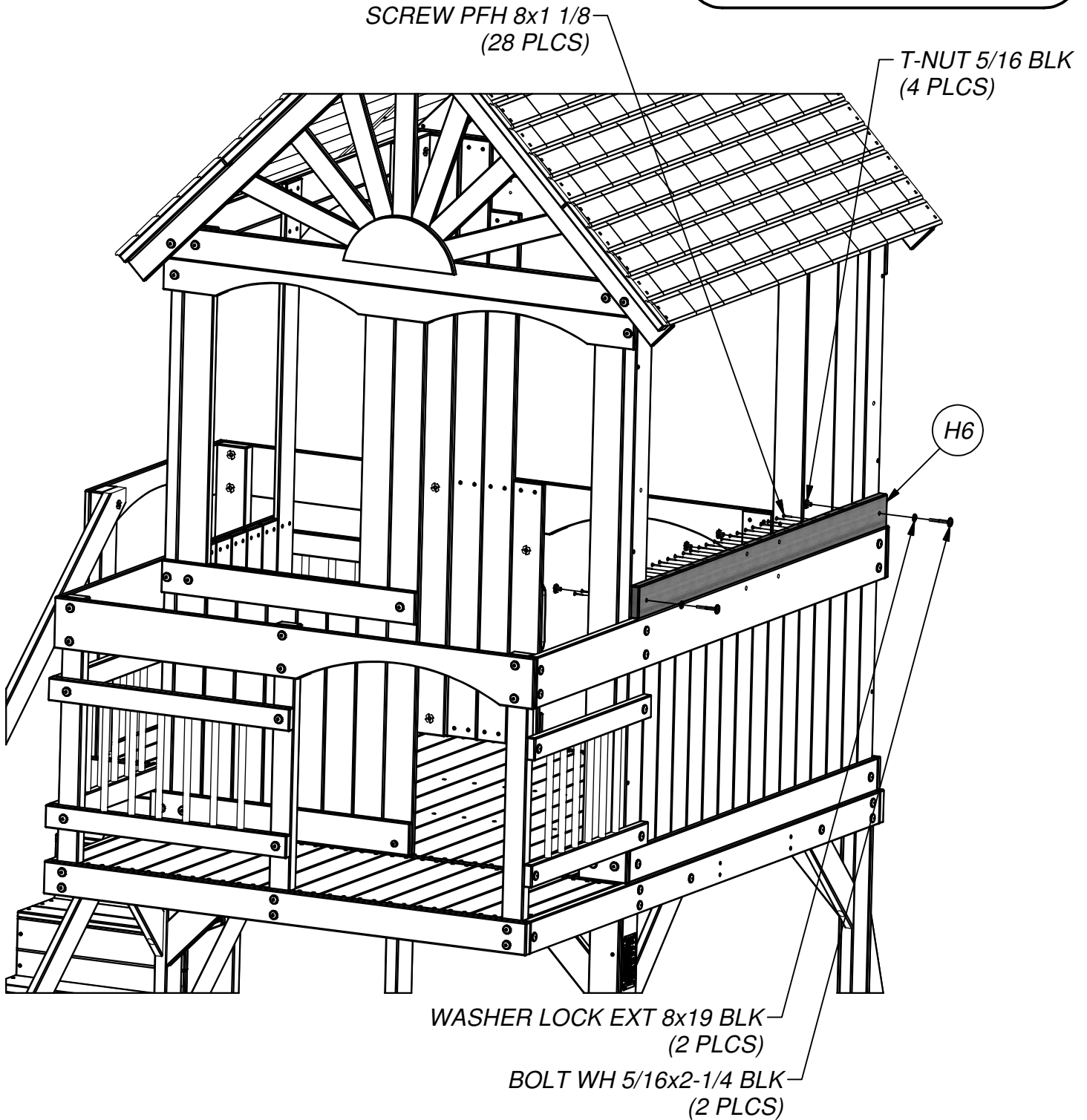
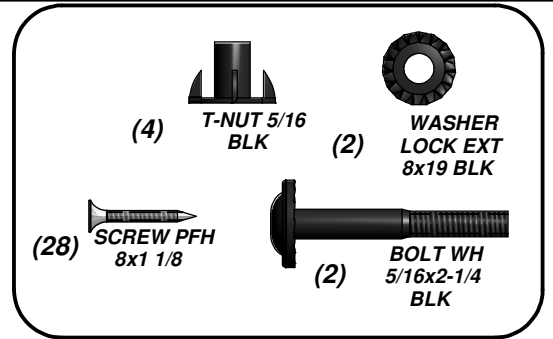
STEP 60





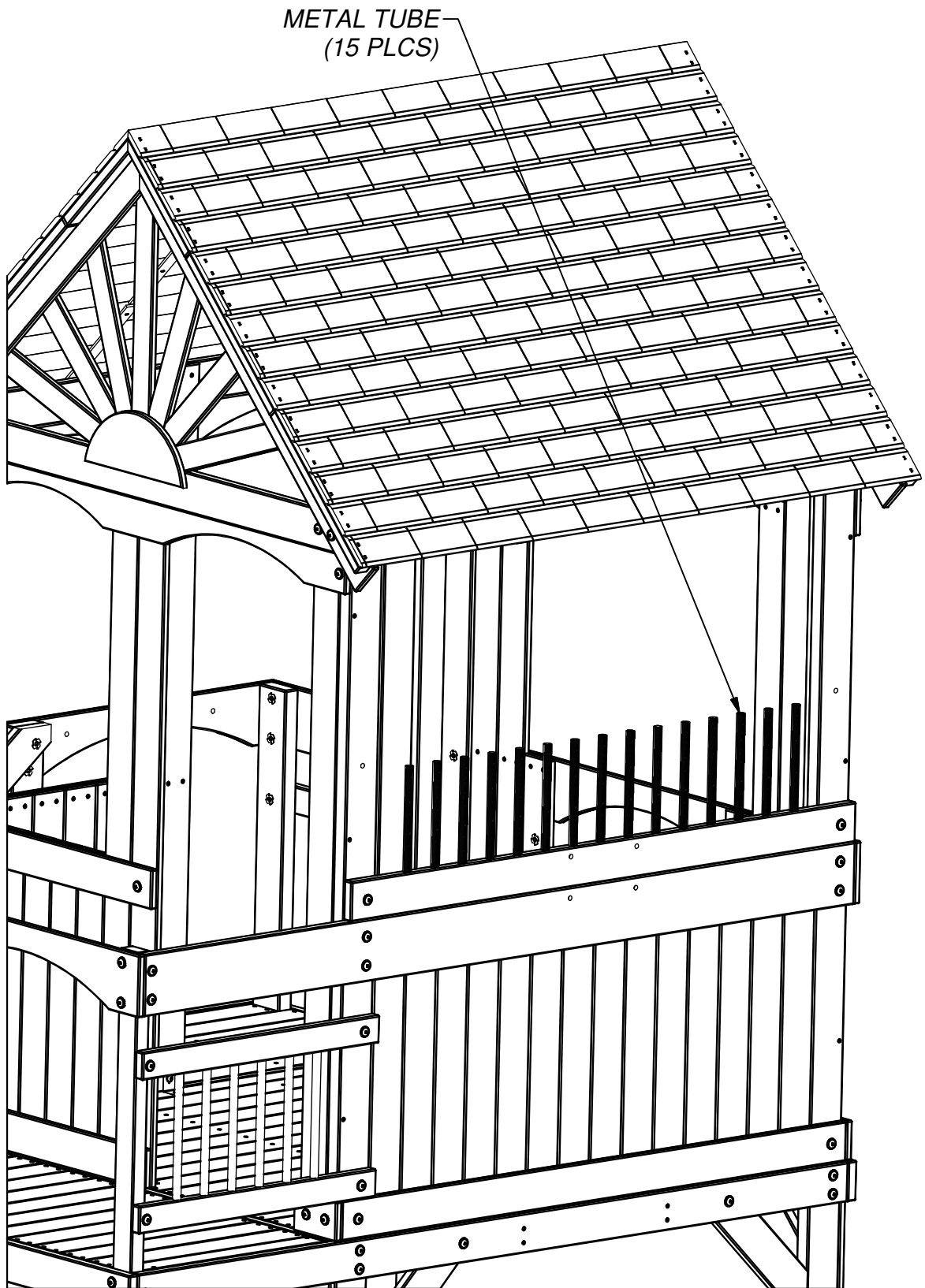
(1) H6 - WALL RAIL - W4L06088
1"x3 3/8"x54 1/2" (24x86x1384)

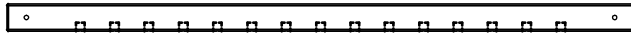
STEP 61



(15) - METAL TUBE - A4M00620

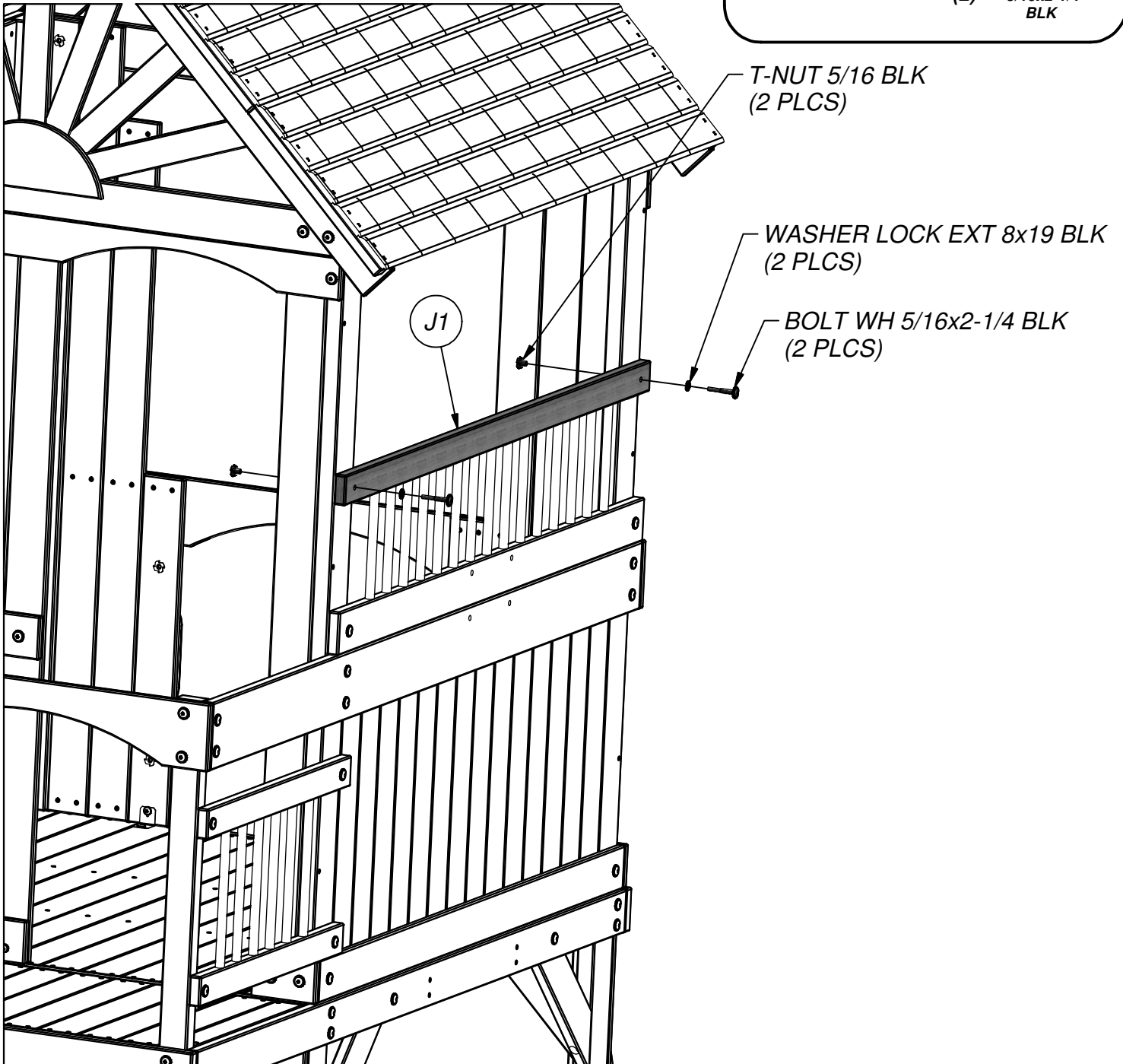
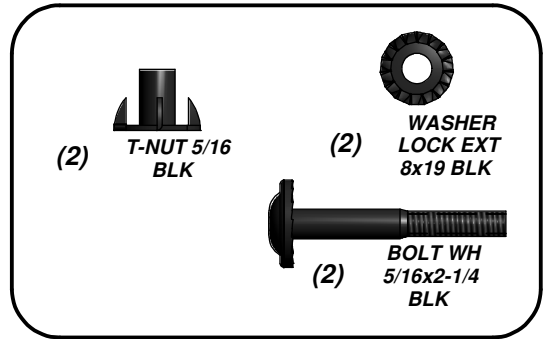
STEP 62





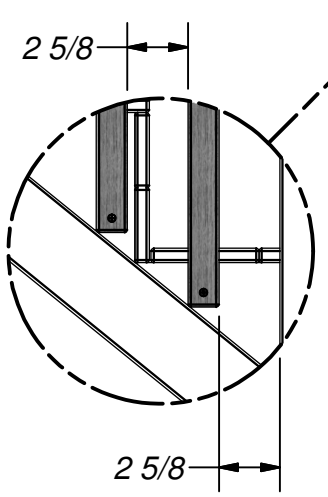
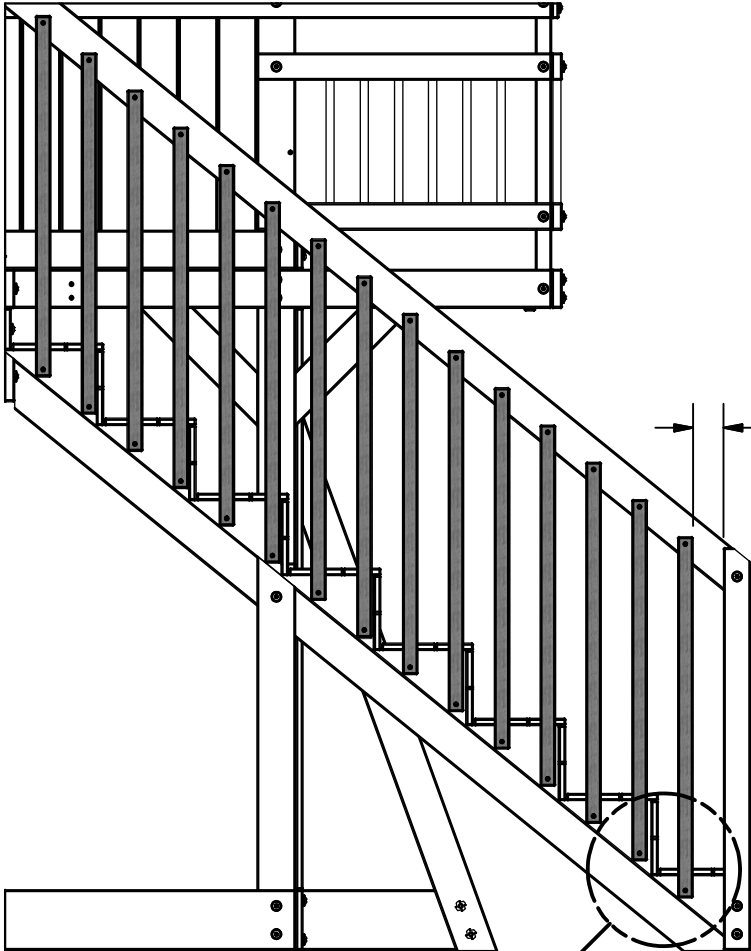
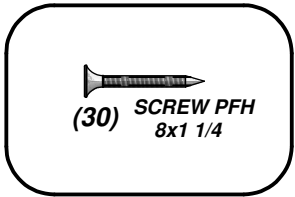
(1) **J1 - WALL RAIL - W4L06104**
1"x2 3/8"x54 1/2" (24x60x1384)

STEP 63



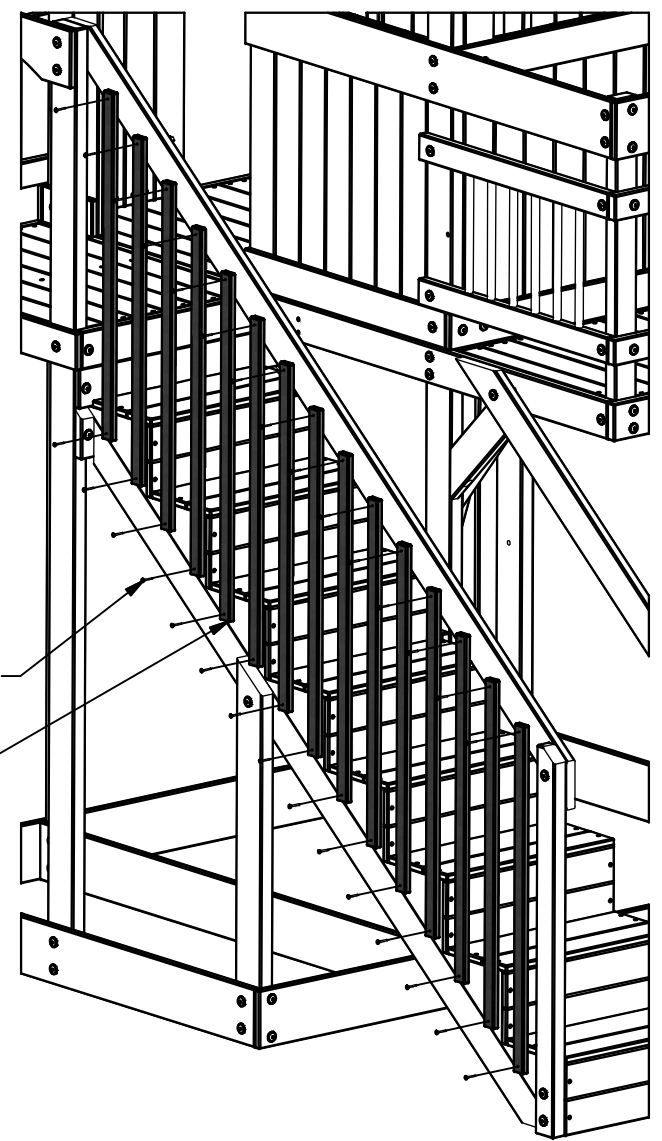
O1 - PICKET - W4L06135
(15) 5/8"x1 3/8"x31 1/4" (16x34x795)

STEP 64



SCREW PFH 8x1 1/4
(30 PLCS)

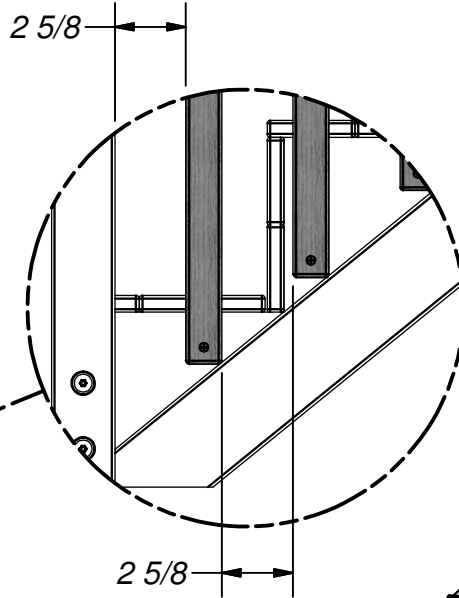
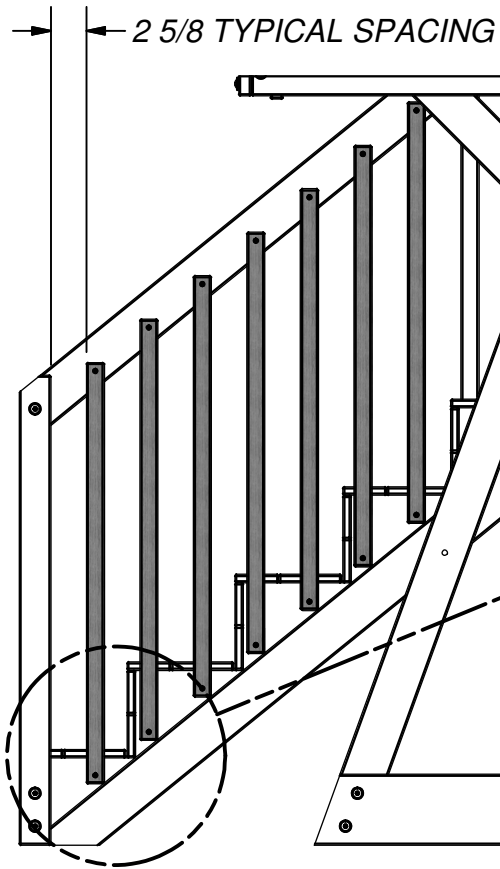
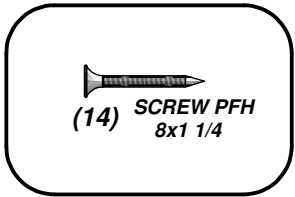
15 PLCS O1



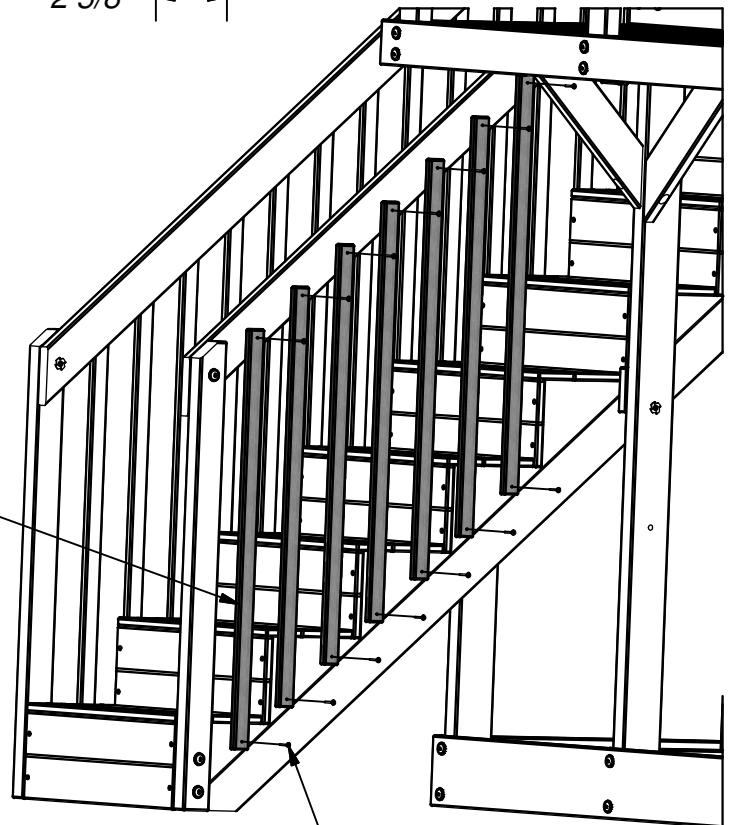


(7) O1 - PICKET - W4L06135
5/8"x1 3/8"x31 1/4" (16x34x795)

STEP 65



7 PLCS O1



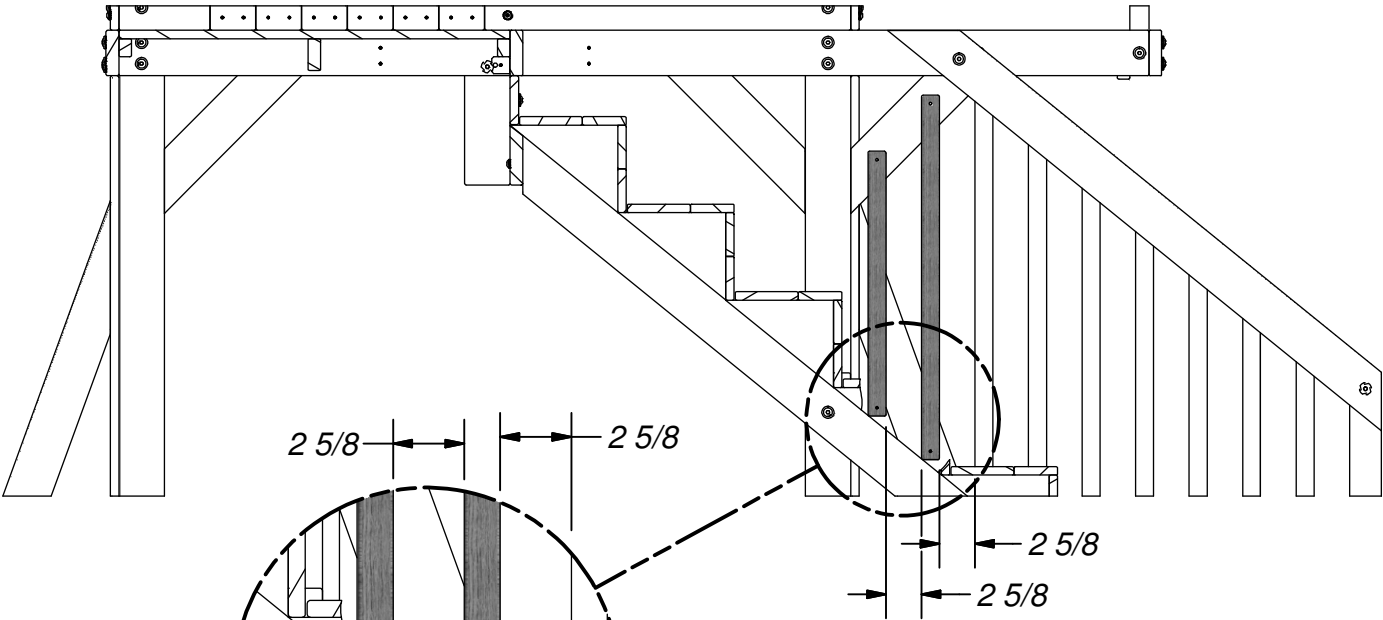
SCREW PFH 8x1 1/4
(14 PLCS)

(1) T3 - PICKET - W4L06136
1"x1 3/8"x27 1/8" (24x34x688)

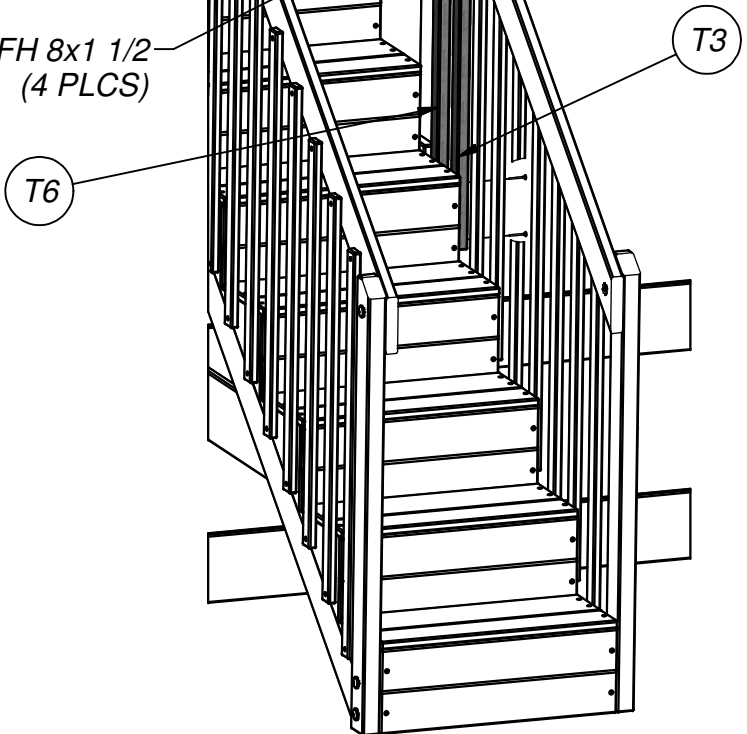
(1) T6 - PICKET - W4L06137
1"x1 3/8"x19 5/8" (24x34x500)

STEP 66

(4) SCREW PFH
8x1 1/2



SCREW PFH 8x1 1/2
(4 PLCS)



(1) **T7 - PICKET - W4L06138**
 1"x1 3/8"x18 3/8" (24x34x468)

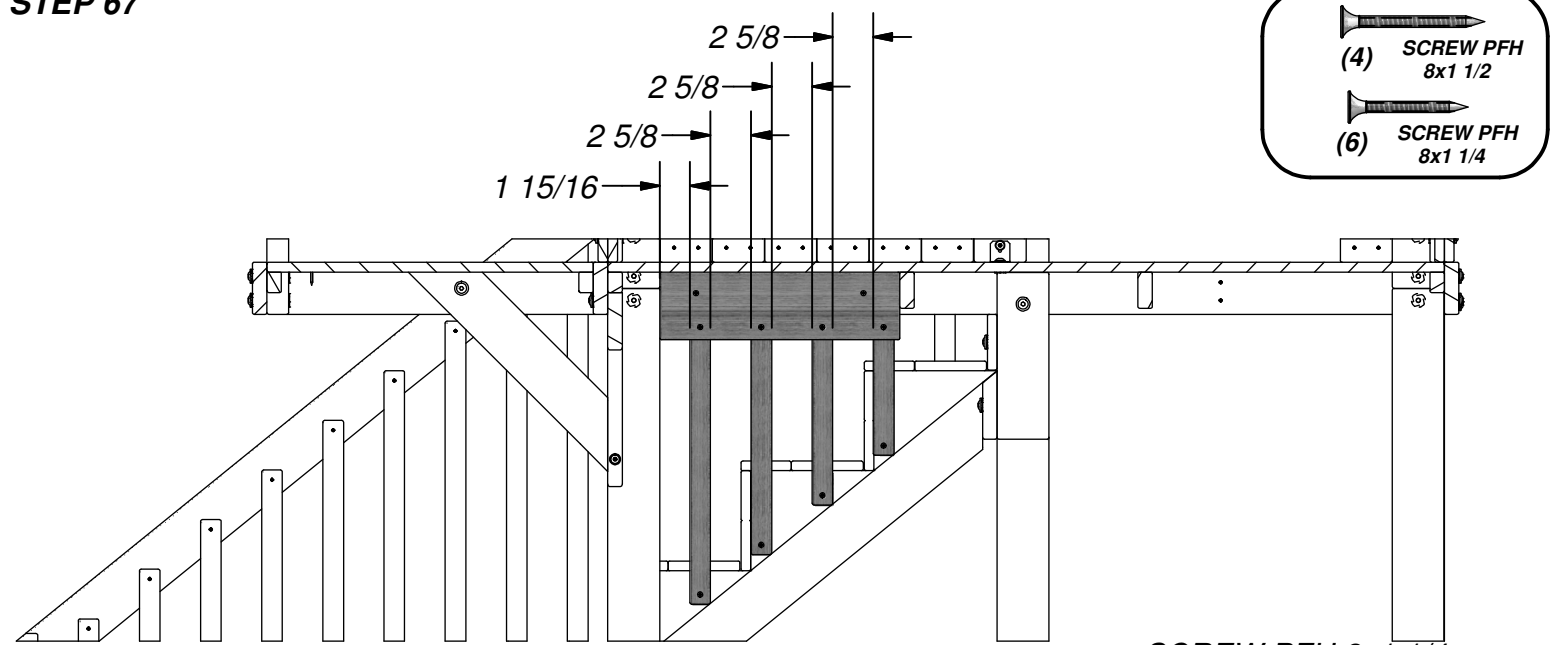
(1) **T9 - PICKET - W4L06139**
 1"x1 3/8"x15 1/4" (24x34x386)

(1) **T11 - PICKET - W4L06141**
 1"x1 3/8"x8 3/4" (24x34x222)

(1) **L2 - SUPPORT BOARD - W4L06142**
 5/8"x4 3/8"x15 5/8" (16x112x397)

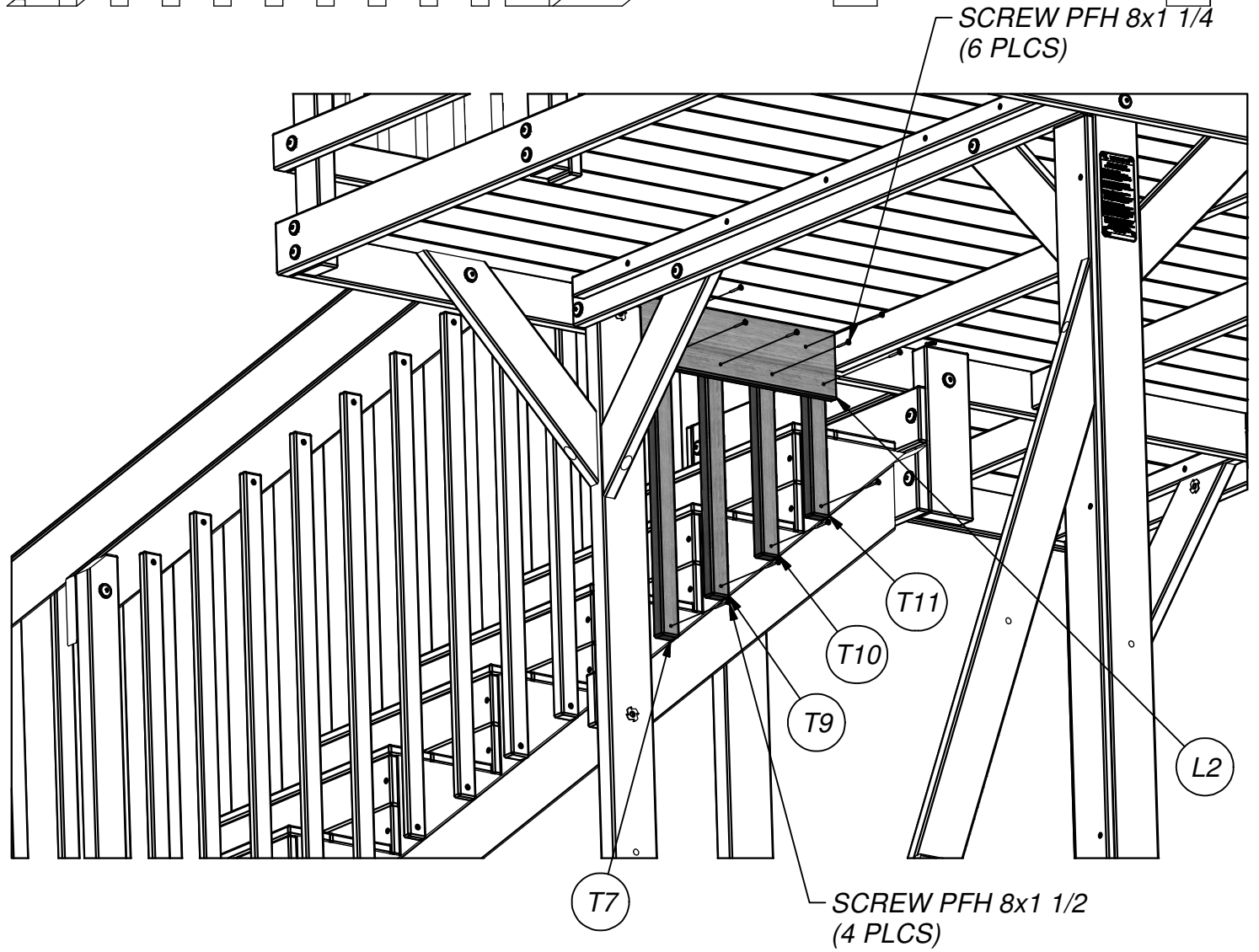
(1) **T10 - PICKET - W4L06140**
 1"x1 3/8"x12" (24x34x304)

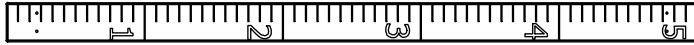
STEP 67



(4) **SCREW PFH 8x1 1/2**

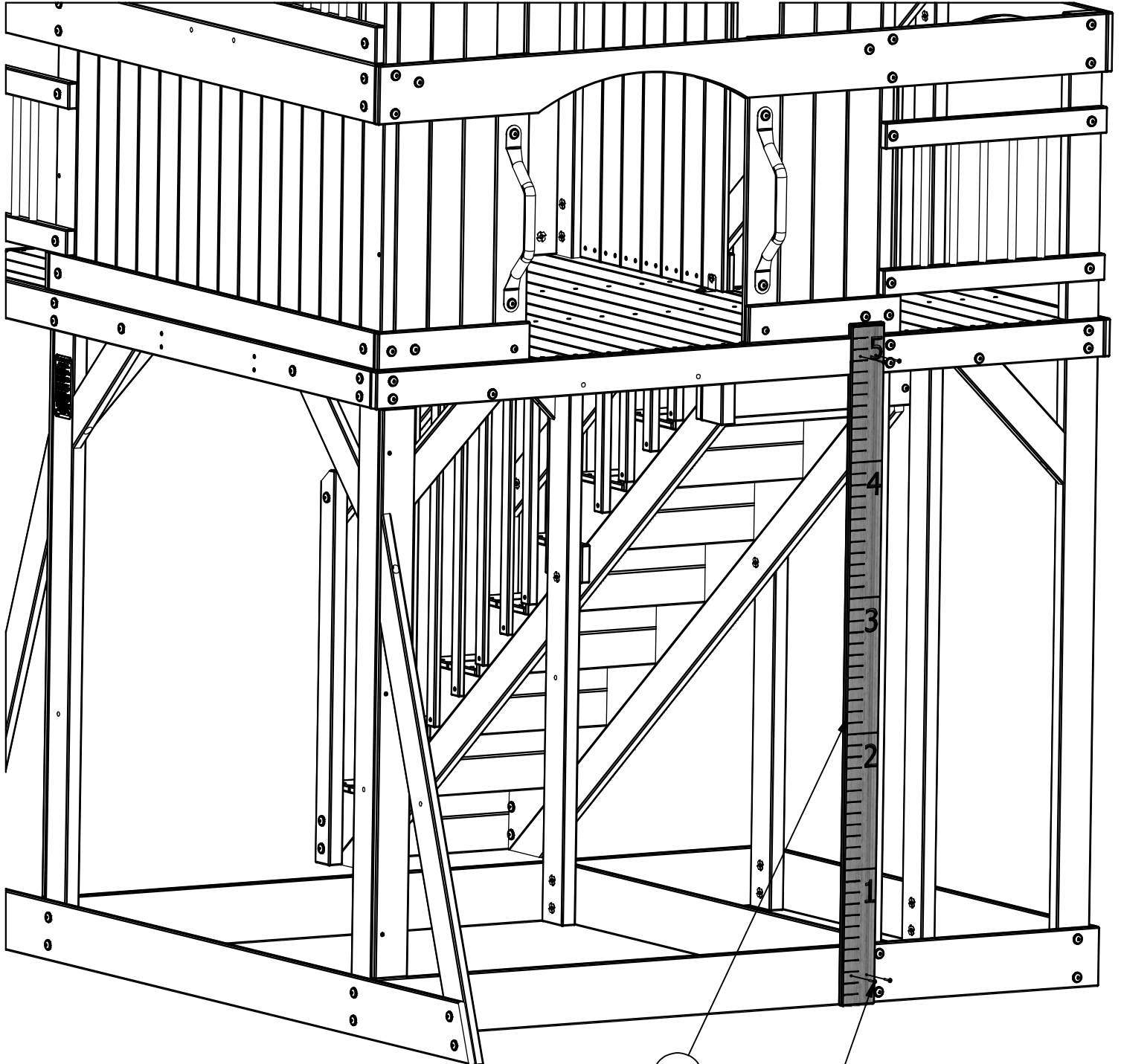
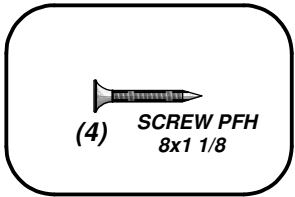
(6) **SCREW PFH 8x1 1/4**





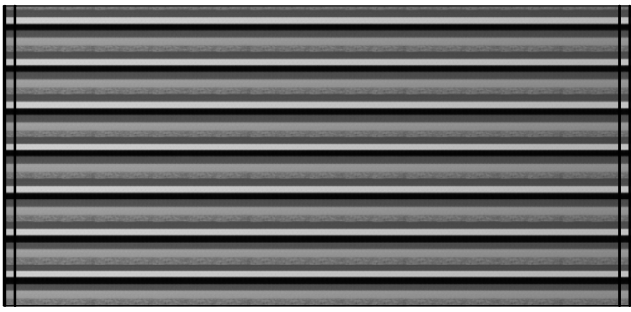
(1) **M1 - GROWTH BOARD - W4L06143**
5/8"x3 3/8"x60 1/4" (16x86x1530)

STEP 68

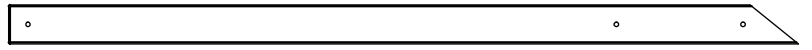


M1

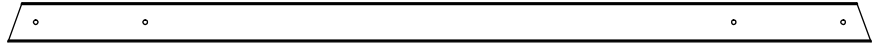
SCREW PFH 8x1 1/8
(4 PLCS)



(1) - HAMMOCK - A6P00066

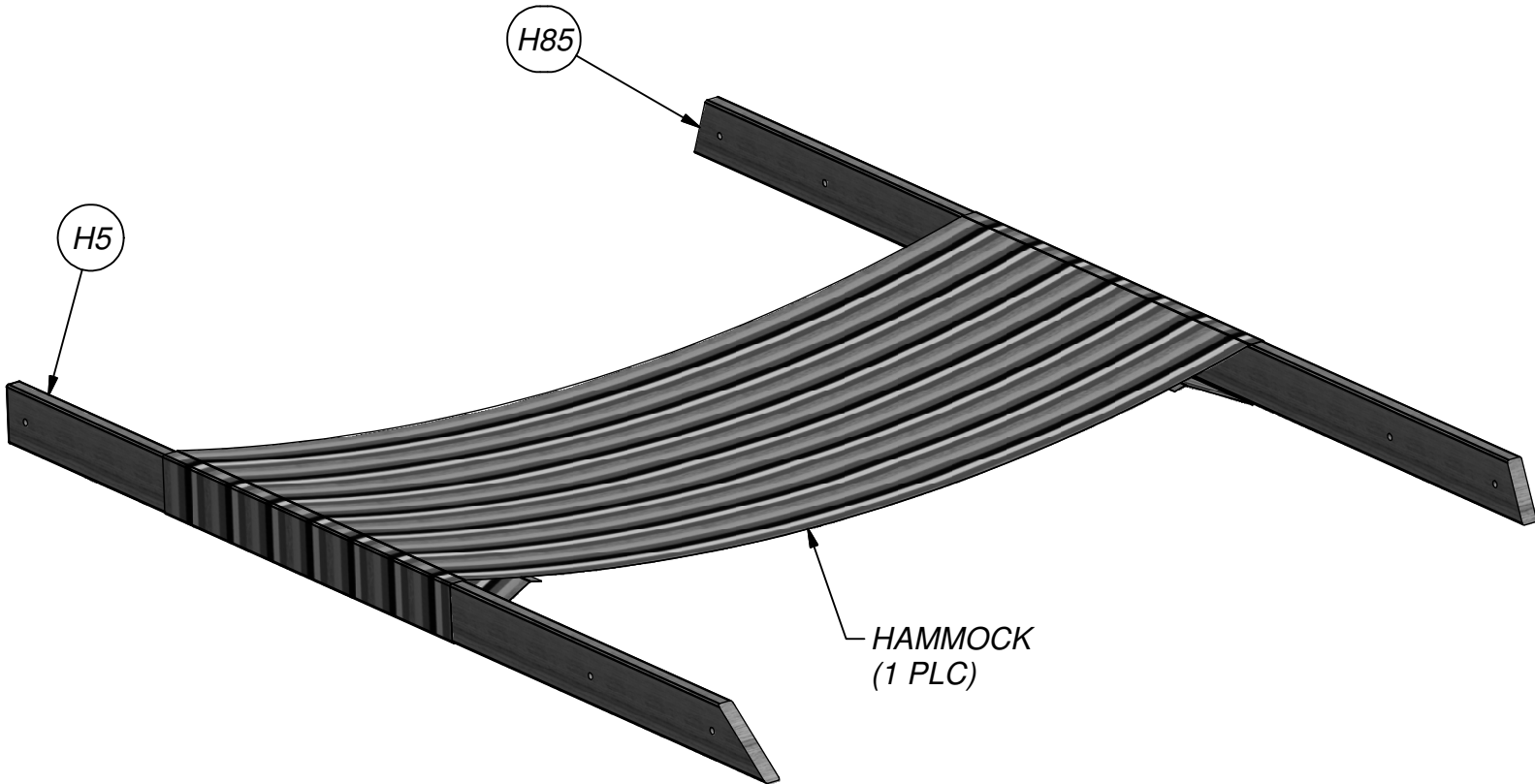


(1) H5 - SAFETY RAIL - W4L06059
1"x3 3/8"x68 5/8" (24x86x1742)



(1) H85 - SAFETY RAIL - W4L06184
1"x3 3/8"x75" (24x86x1904)

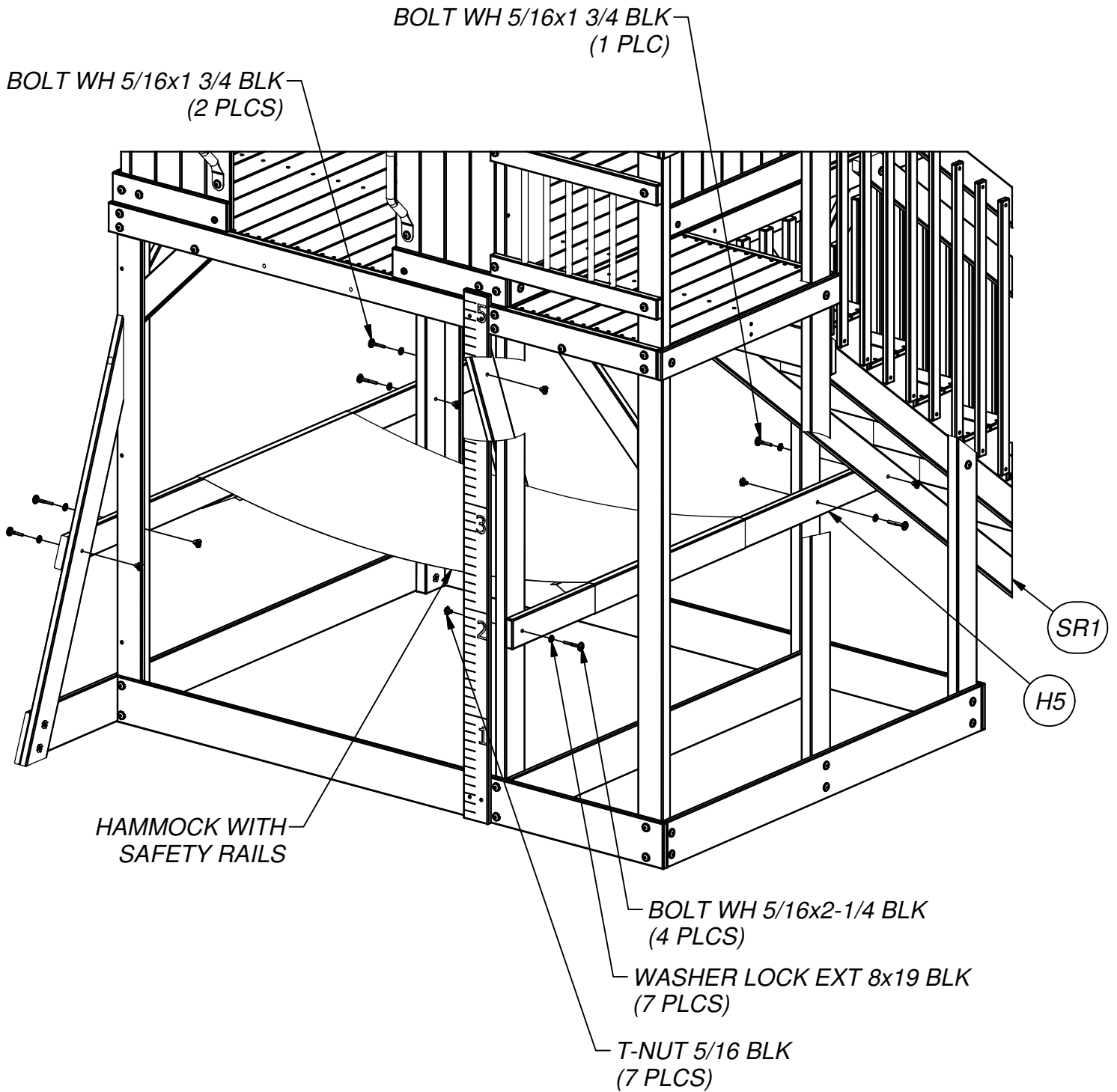
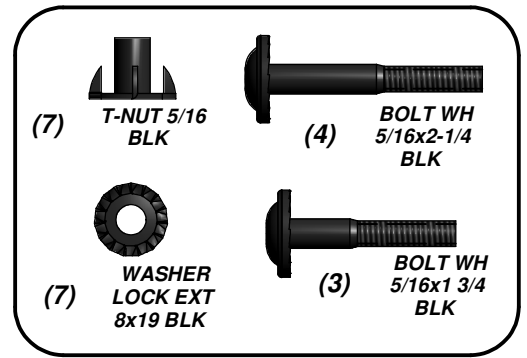
STEP 69



STEP 70

NOTE:

BACKYARD DISCOVERY RECOMMENDS NO MORE THAN 150 POUNDS ON THE HAMMOCK.






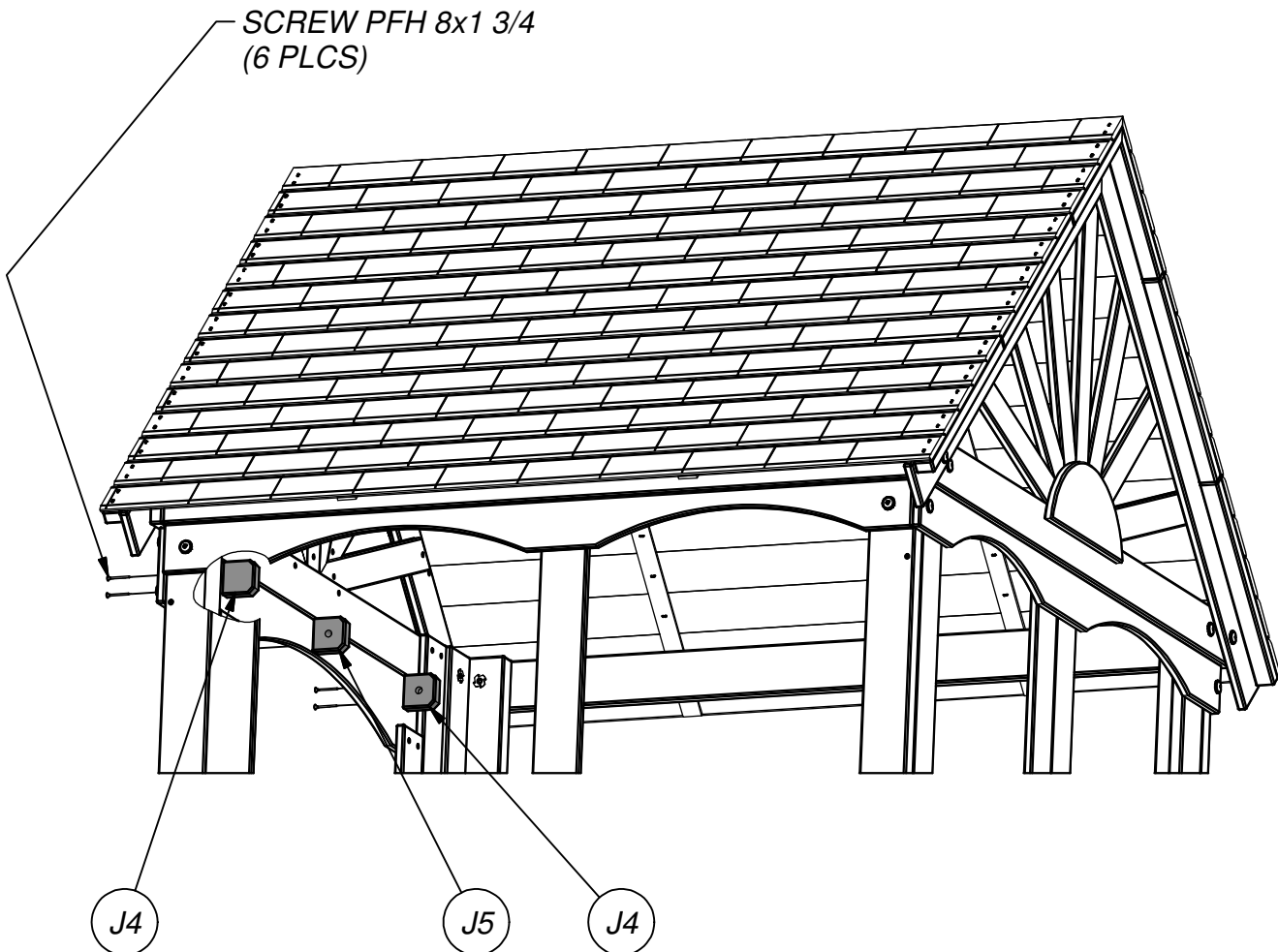
(2) **J4 - OUTER CURTAIN ROD HOLDER - W4L05293**
1"x2 3/8"x2 3/8" (24x60x60)

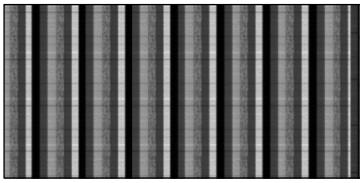


(1) **J5 - INNER CURTAIN ROD HOLDER - W4L05294**
1"x2 3/8"x2 3/8" (24x60x60)

STEP 71


(6) SCREW PFH
8x1 3/4

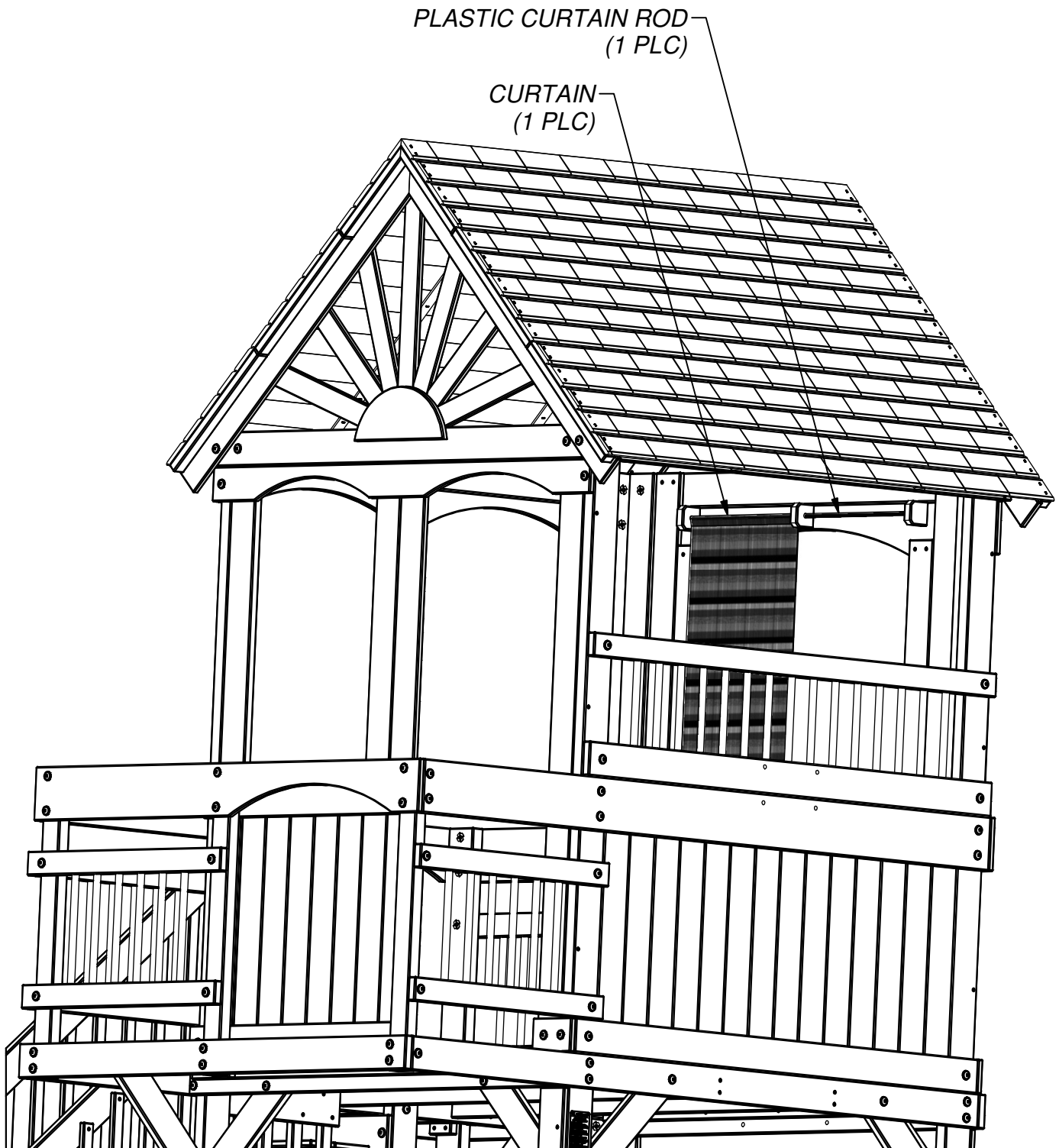


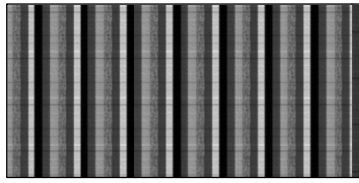


(1) - CURTAIN - A6P00089

(1) - PLASTIC CURTAIN ROD - A6P00090

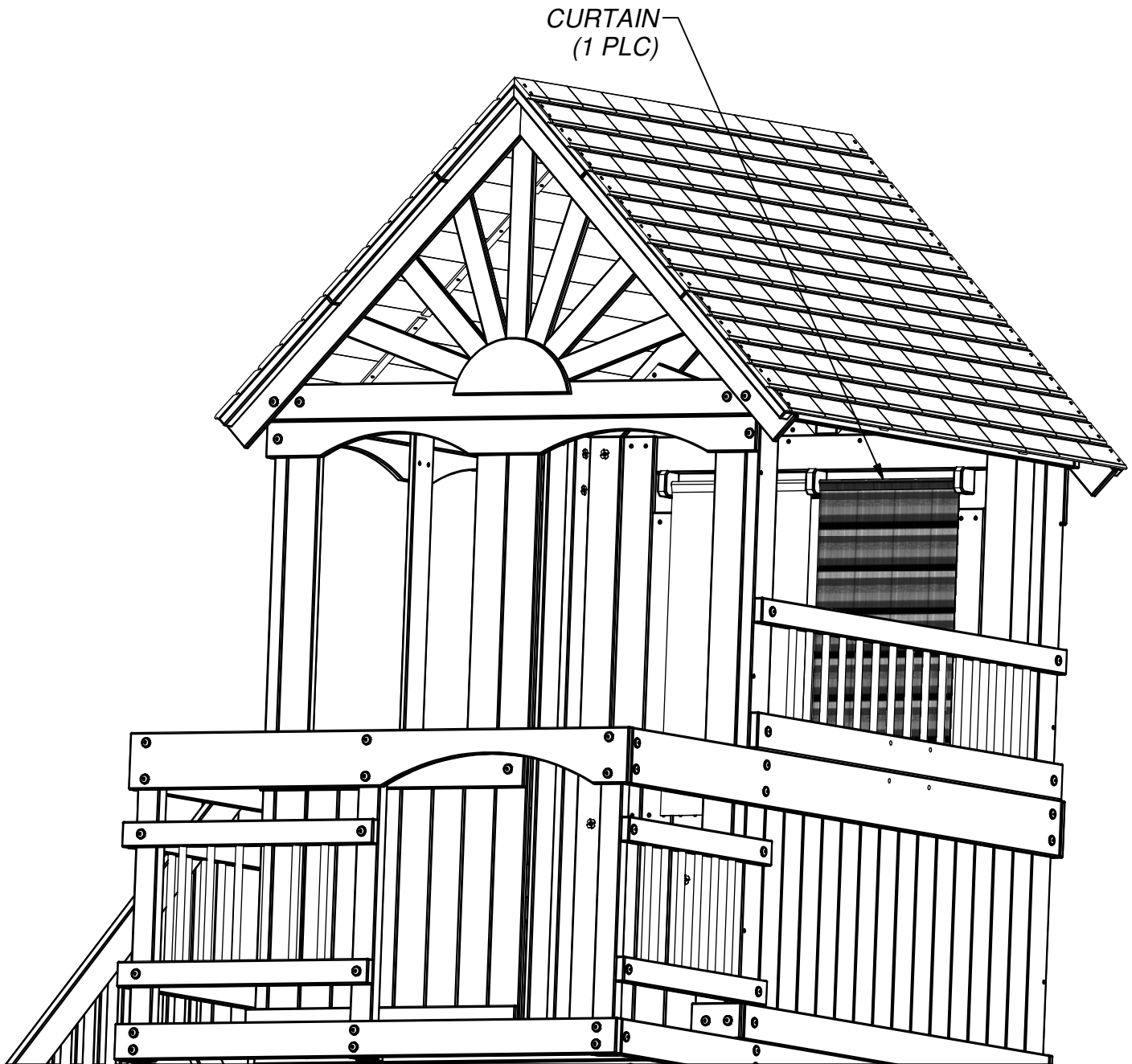
STEP 72

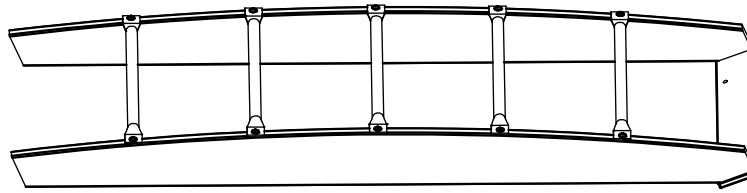




(1) - CURTAIN - A6P00089

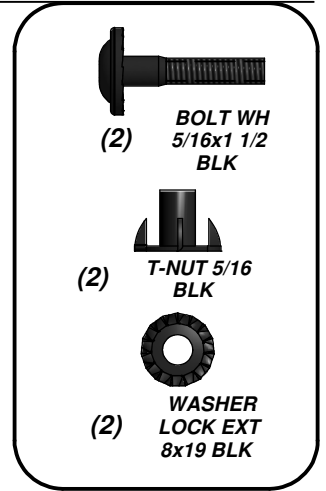
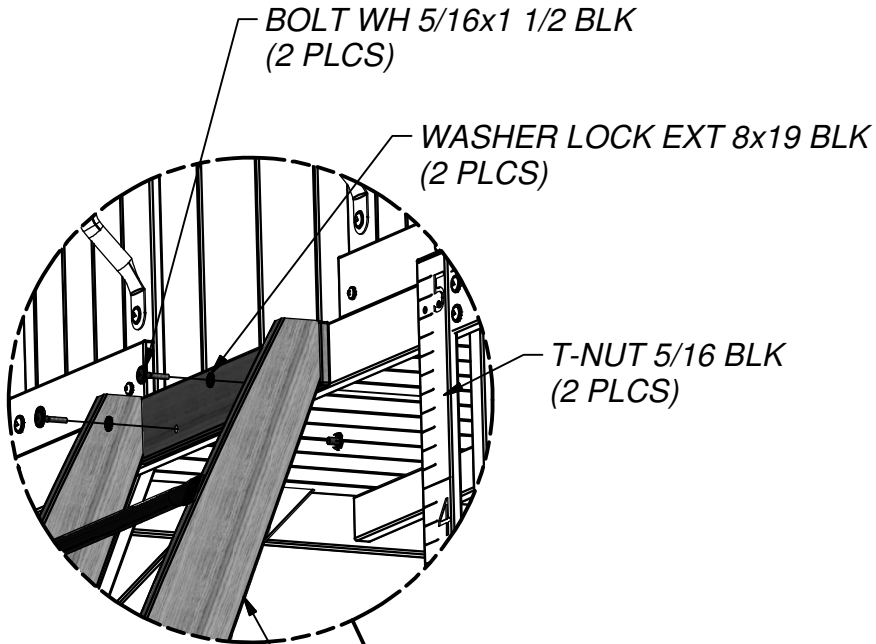
STEP 73






LADDER ASSEMBLY

**FINAL ASSEMBLY
STEP 1**



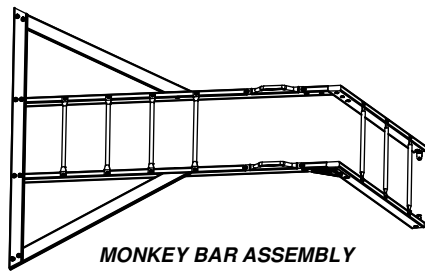

(2) BOLT WH
5/16x1 1/2
BLK


(2) T-NUT 5/16
BLK


(2) WASHER
LOCK EXT
8x19 BLK

LADDER ASSEMBLY





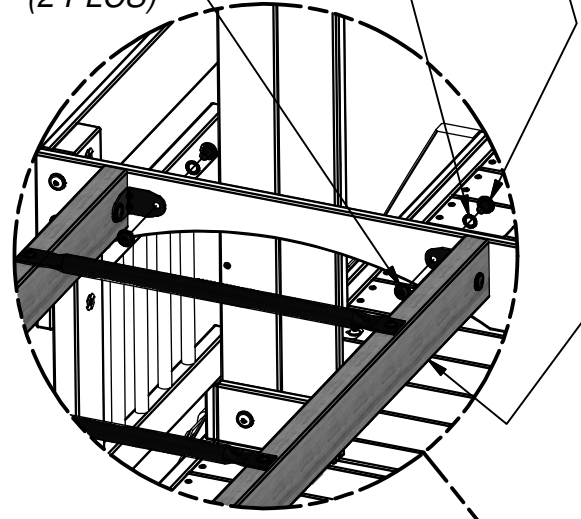
MONKEY BAR ASSEMBLY

**FINAL ASSEMBLY
STEP 2**

NUT BARREL WH 5/16x5/8 BLK
(2 PLCS)

WASHER LOCK EXT 12x19 BLK
(2 PLCS)

BOLT WH 5/16x1/2 BLK
(2 PLCS)

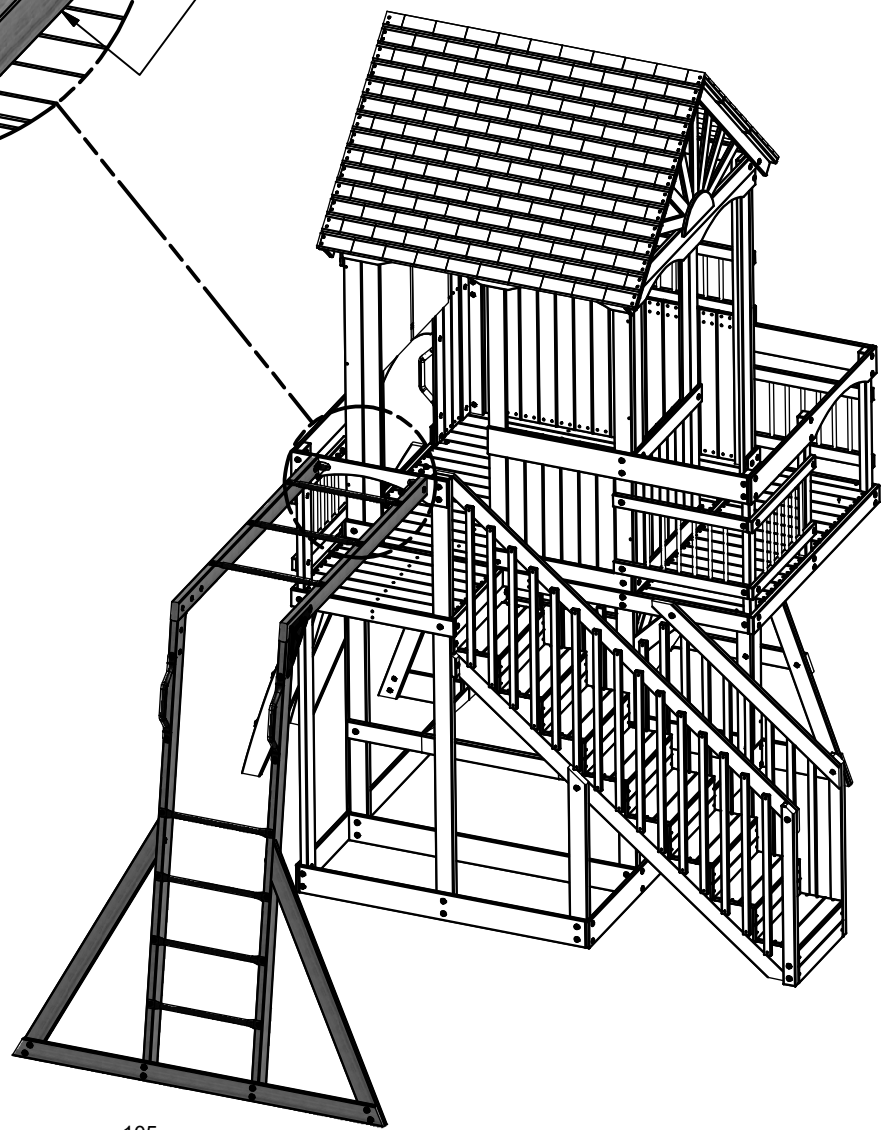


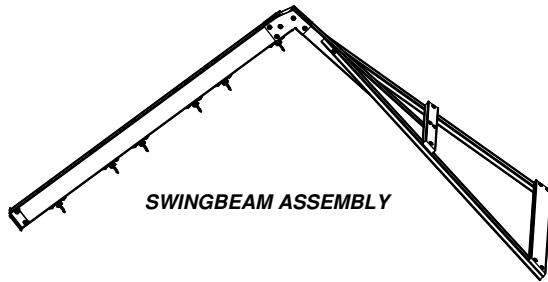
MONKEY BAR ASSEMBLY

(2) NUT BARREL
WH 5/16x5/8
BLK

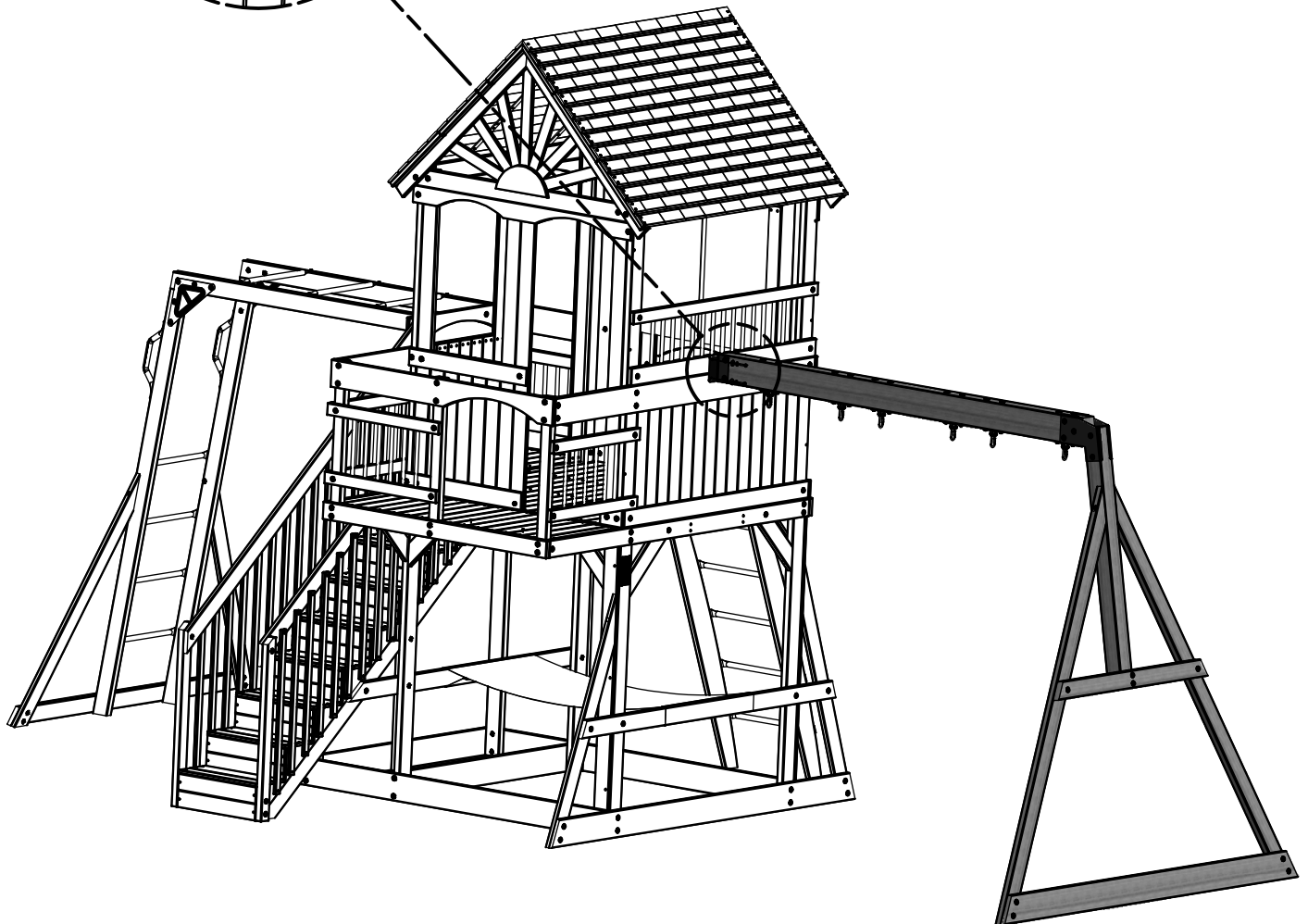
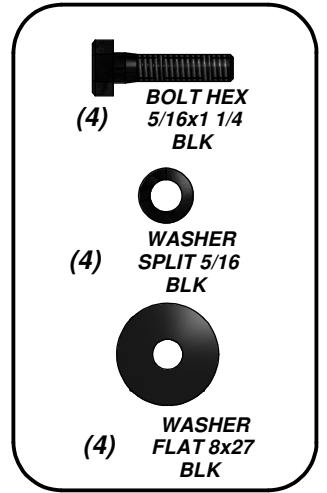
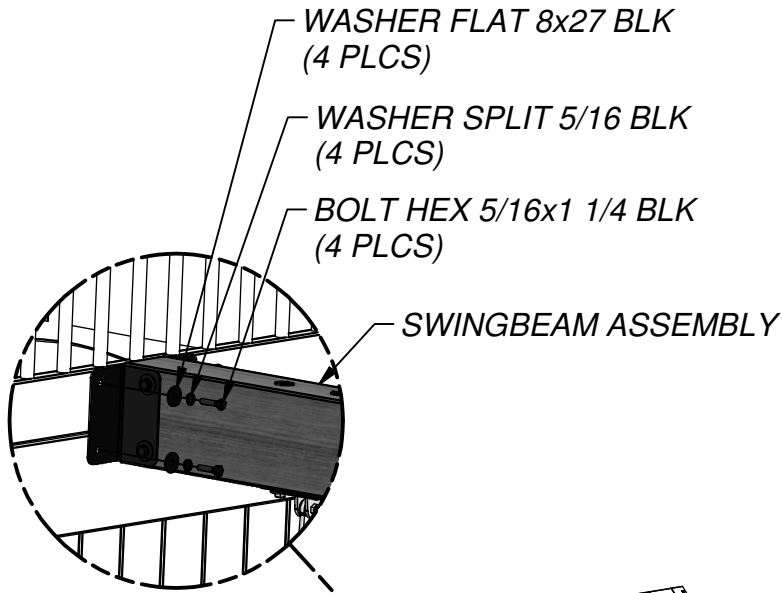
(2) WASHER
LOCK EXT
12x19 BLK

(2) BOLT WH
5/16x1/2 BLK





**FINAL ASSEMBLY
STEP 3**





(2) - SWING SEAT GREEN - A6P00054



(6) FA - QUICK LINK - A100069



(1) - TRAPEZE - A6P00034

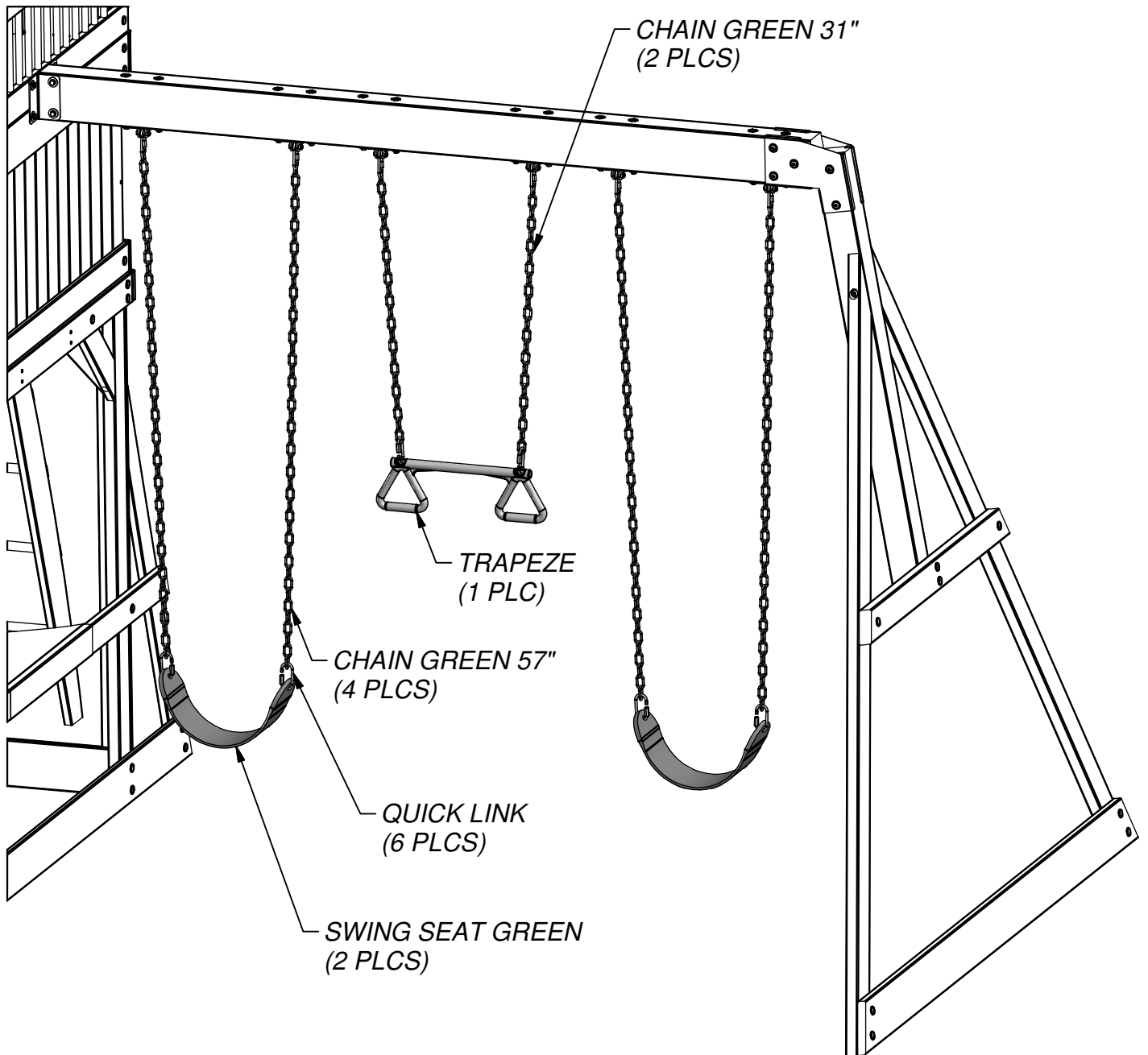


(4) EF - CHAIN GREEN 57" - A100047

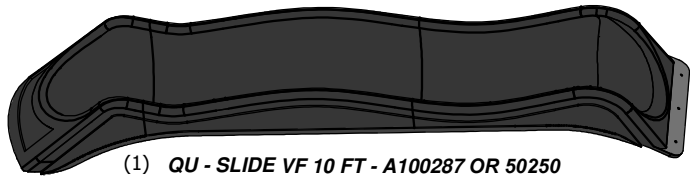


(2) KN - CHAIN GREEN 31" - A100177

**FINAL ASSEMBLY
STEP 4**



(1) O70 - SLIDE MOUNTING BOARD - W102822
5/8"x1 3/8"x20 3/8" (16x34x517)

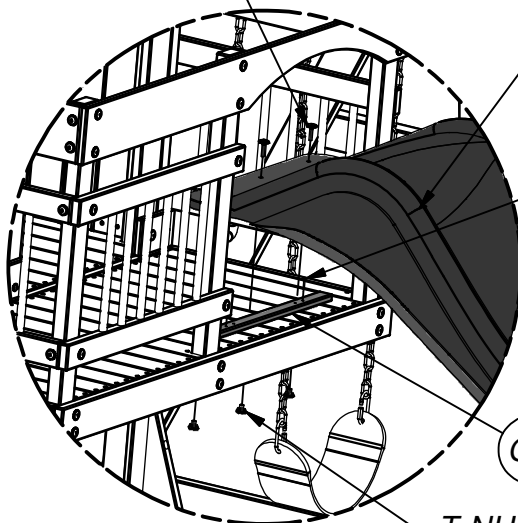
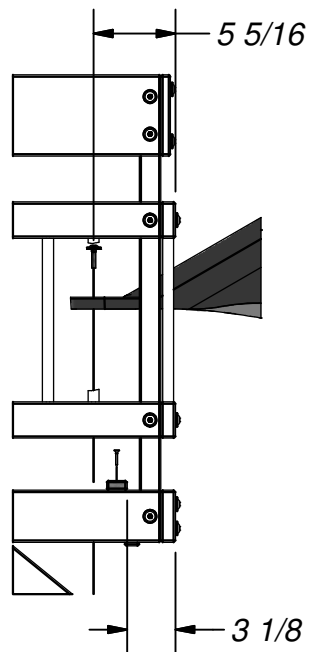


(1) QU - SLIDE VF 10 FT - A100287 OR 50250

**FINAL ASSEMBLY
STEP 5**

BOLT WH 5/16x1 1/4 BLK
(3 PLCS)

DRILL 3/8" (10mm) HOLES THROUGH FLOOR



SLIDE VF 10 FT
(1 PLC)

SCREW PFH 8x1 1/8
(2 PLCS)

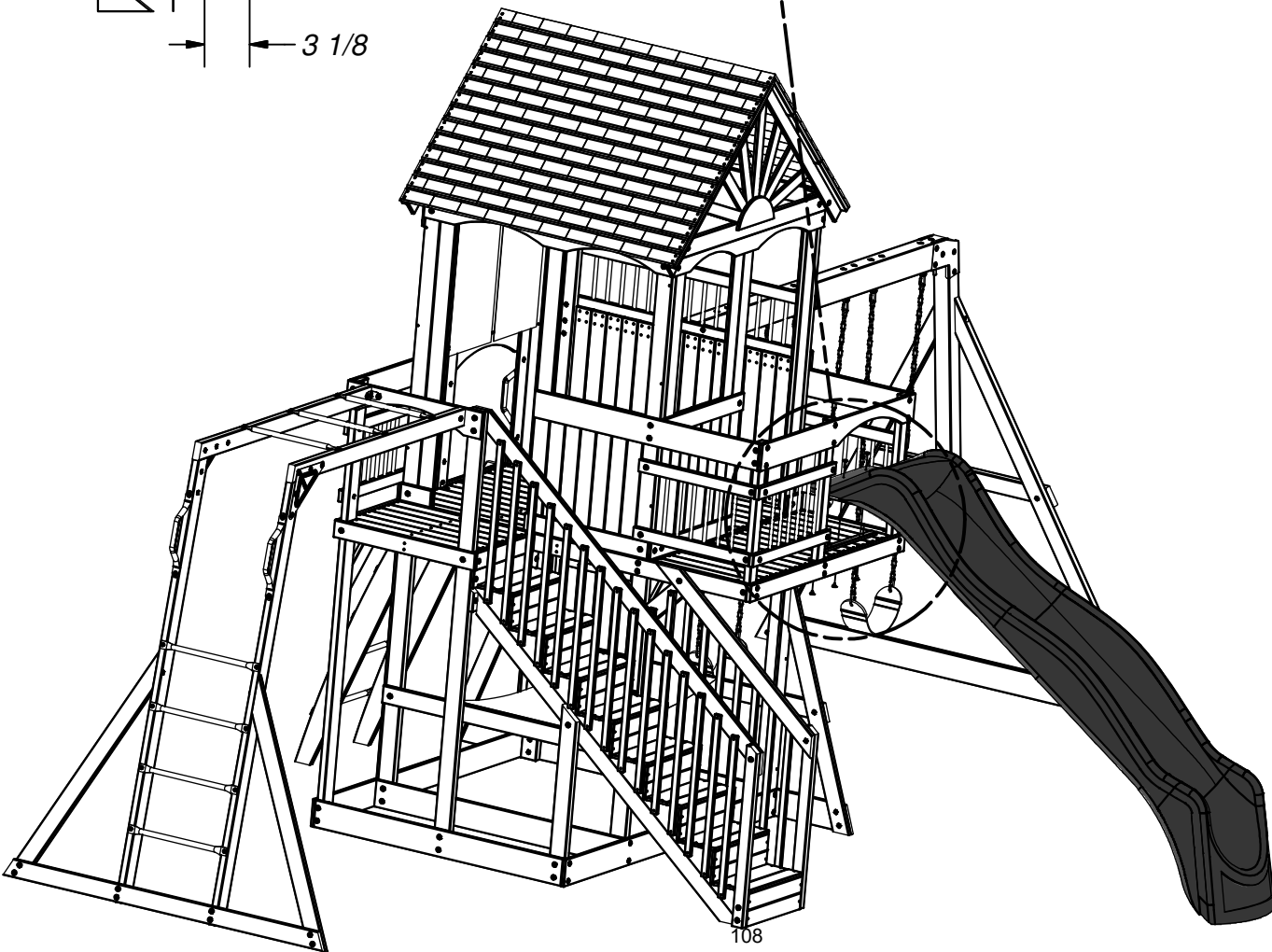
O70

T-NUT 5/16 BLK
(3 PLCS)

(3) T-NUT 5/16 BLK

(3) BOLT WH 5/16x1 1/4 BLK

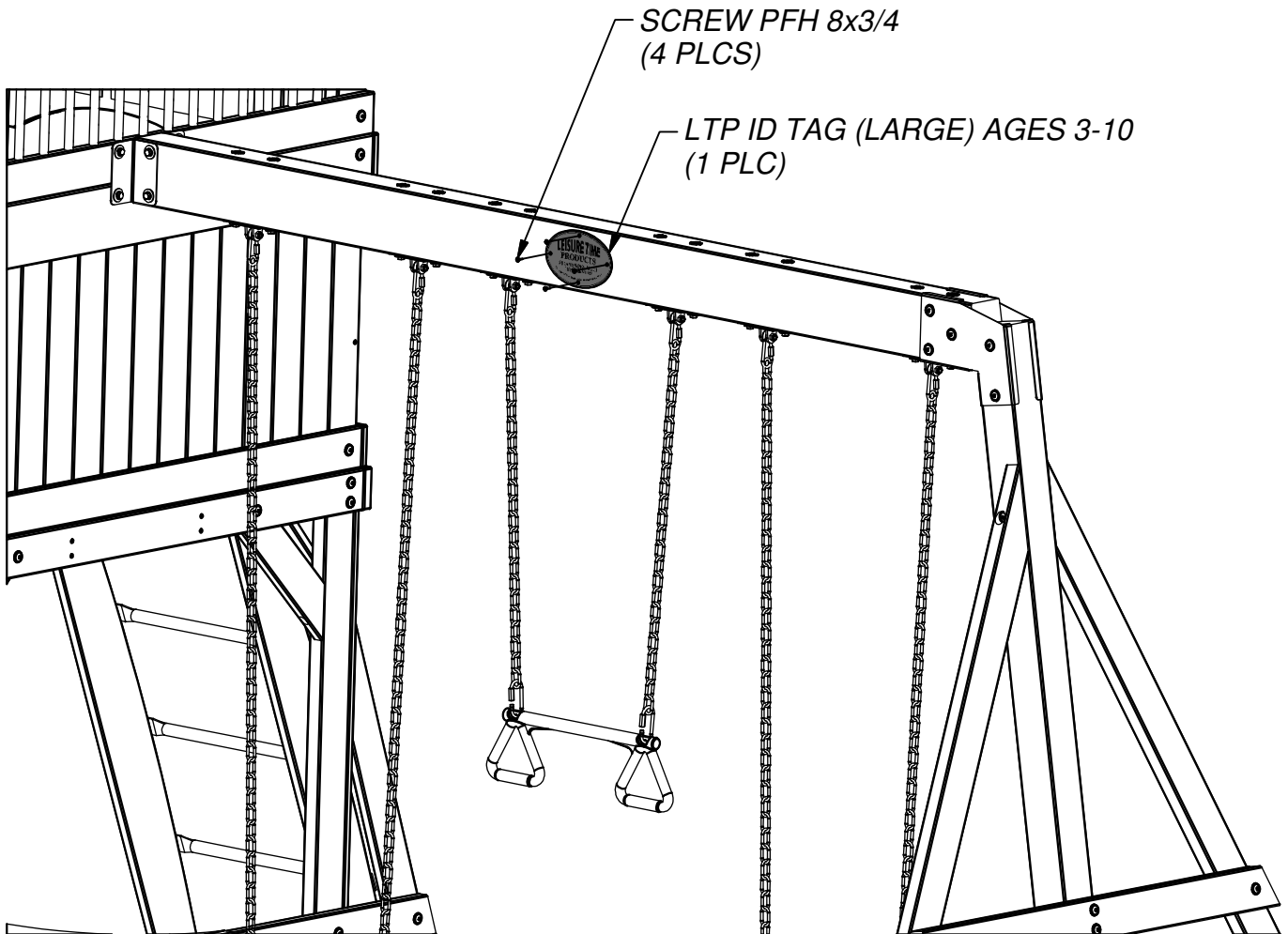
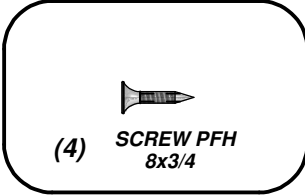
(2) SCREW PFH 8x1 1/8





(1) EH - LTP ID TAG (LARGE) AGES 3-10 - A100051

**FINAL ASSEMBLY
STEP 6**








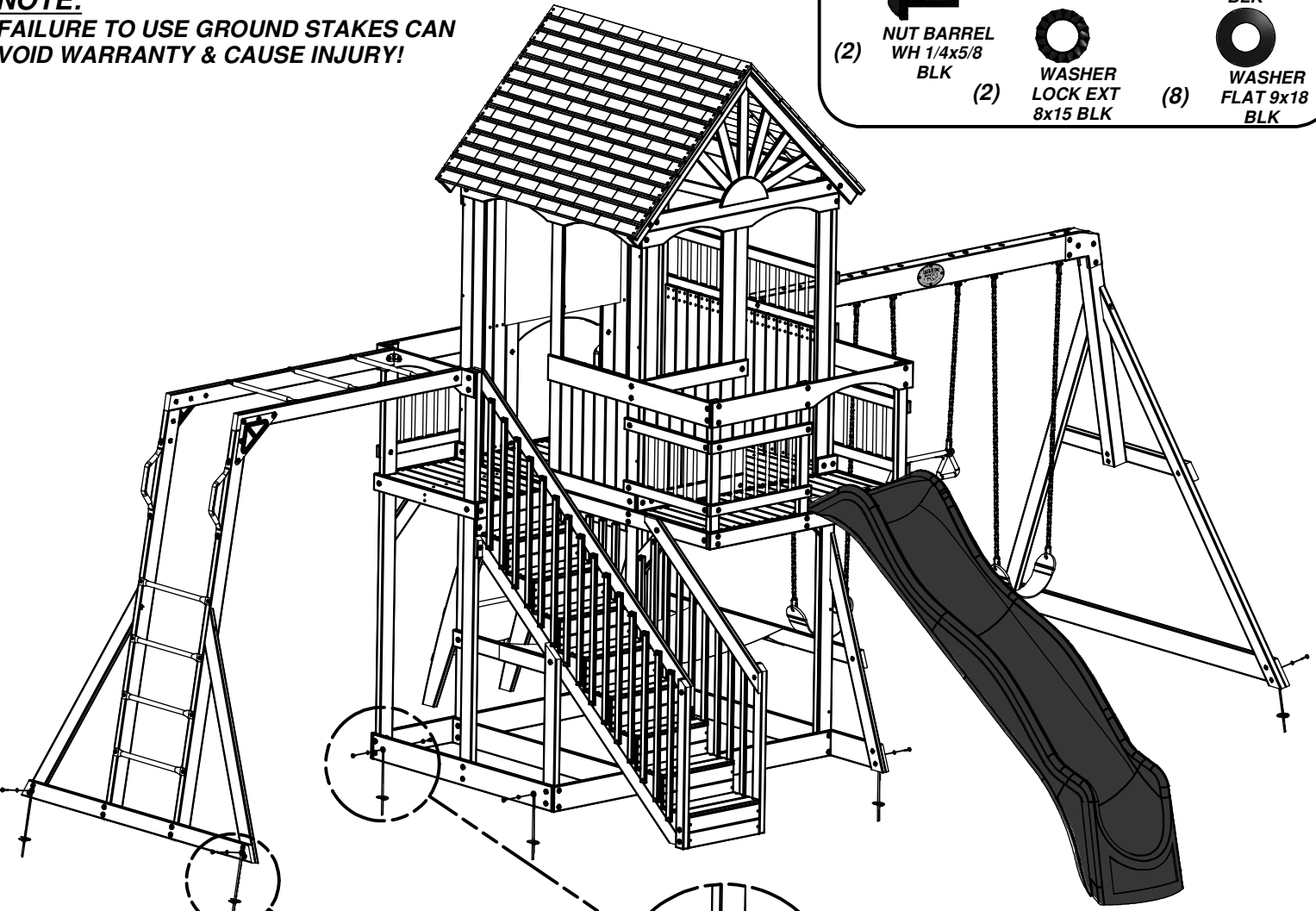


(8) KC - METAL GROUND STAKE BROWN - A100178

**FINAL ASSEMBLY
STEP 7**

**NOTE:
FAILURE TO USE GROUND STAKES CAN
VOID WARRANTY & CAUSE INJURY!**

| | | | | | |
|---|-----|---|-----|---|-----|
|  | (2) |  | (2) |  | (6) |
|  | (2) |  | (8) | | |



LAG SCREW WH 1/4x1-1/2 BLK
(6 PLCS)

WASHER FLAT 9x18 BLK
(6 PLCS)

METAL GROUND STAKE BROWN
(8 PLCS)

NUT BARREL WH 1/4x5/8 BLK
(2 PLCS)

WASHER LOCK EXT 8x15 BLK
(2 PLCS)

WASHER FLAT 9x18 BLK
(2 PLCS)

BOLT WH 1/4x1/2 BLK
(2 PLCS)

**NOTE:
TWIST STAKES INTO GROUND AND ATTACH TO PLAYSET
APPROXIMATELY WHERE SHOWN**

FINAL STEP

**DOUBLE CHECK EVERY BOLT, SCREW AND NUT FOR TIGHTNESS. MAKE SURE EVERY BOARD IS
SECURE AND MAKE SURE THE PLAY SET IS LEVEL.**

ENJOY YOUR NEW PLAY SET!

Limited Warranty

This Limited Warranty by Backyard Discovery applies to products manufactured under the Backyard Discovery brand or its other brands including but not limited to Backyard Botanical, Adventure Playsets, and Leisure Time Products.

Backyard Discovery warrants that this product is free from defect in materials and workmanship for a period of one (1) year from the original date of purchase. This one (1) year warranty covers all parts including wood, hardware, and accessories. All wood carries a five (5) year pro-rated warranty against rot and decay. Refer to the schedule below for charges associated with replacement of parts under this Limited Warranty. In addition, Backyard Discovery will replace any parts within the first 30 days from date of purchase found to be missing from or damaged in the original packaging.

This warranty applies to the original owner and registrant and is **non-transferable**. Regular maintenance is required to assure maximum life and performance of this product and failure by the owner to maintain the product according to the maintenance requirements may void this warranty. Maintenance guidelines are provided in the Owner's Manual.

This Limited Warranty does not cover:

- Labor for any inspection
- Labor for replacement of any defective item(s)
- Incidental or consequential damages
- Cosmetic defects which do not affect performance or integrity of a part or the entire product
- Vandalism, improper use, failure due to loading or use beyond the capacities stated in the applicable Assembly Manual.
- Acts of nature including but not limited to wind, storms, hail, floods, excessive water exposure
- Improper installation including but not limited to installation on uneven, unlevel, or soft ground
- Minor twisting, warping, checking, or any other natural occurring properties of wood that do not affect performance or integrity

Backyard Discovery products have been designed for safety and quality. Any modifications made to the original product could damage the structural integrity of the unit leading to failure and possible injury. Modification voids any and all warranties and Backyard Discovery assumes no liability for any modified products or consequences resulting from failure of a modified product.

This product is warranted for RESIDENTIAL USE ONLY. Under no circumstance should a Backyard Discovery product be used in public settings. Such use may lead to product failure and potential injury. Any and all public use will void this warranty. Backyard Discovery disclaims all other representations and warranties of any kind, express or implied.

This Warranty gives you specific legal rights. You may have other rights as well which vary from state to state or province to province. This warranty excludes all consequential damages, however, some states do not allow the limitation or exclusion of consequential damages and therefore this limitation may not apply to you.

Pro Rated Part Replacement Schedule

Product Age

All Parts

0-30 days from date of purchase

31 days to 1 year

Wood Rot and Decay Only

1 year

2 years

3 years

4 years

5 years

Over 5 years

Customer Pays

\$0 and free shipping

\$0 + S&H

\$0 and free shipping

20% + S&H

40% + S&H

60% + S&H

80% + S&H

100% + S&H

